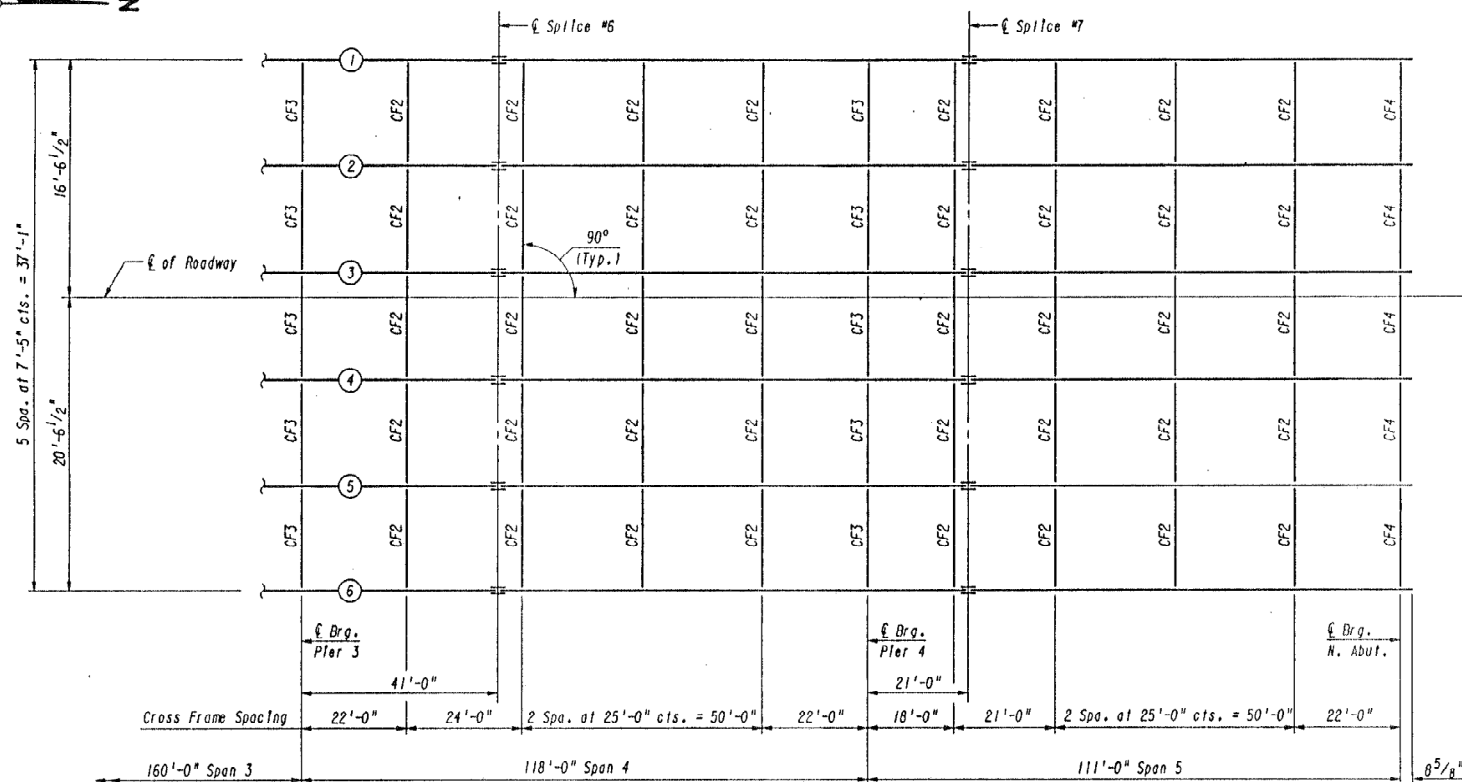
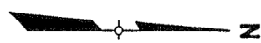
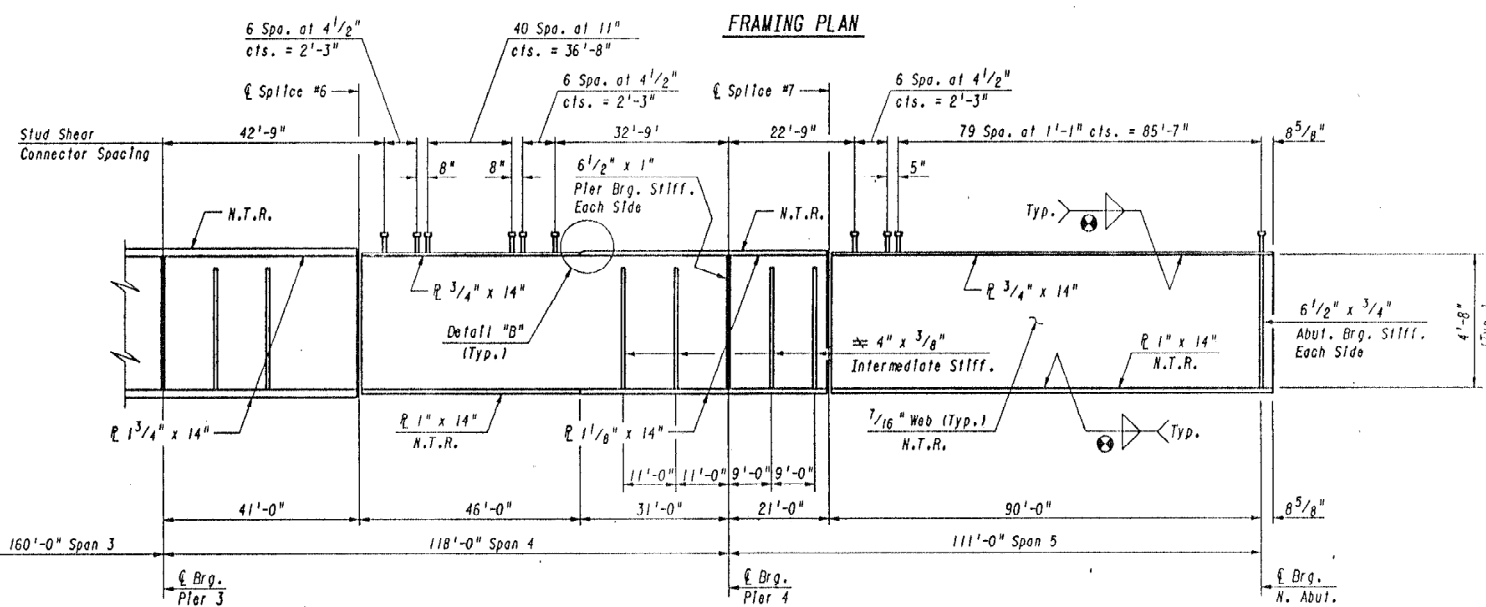


ROUTE	SECTION	COUNTY	TOTAL SHEETS	SHEET NUMBER
VARIOUS	2012-075BP	WILL	24	14

CONTRACT NO. 60V85



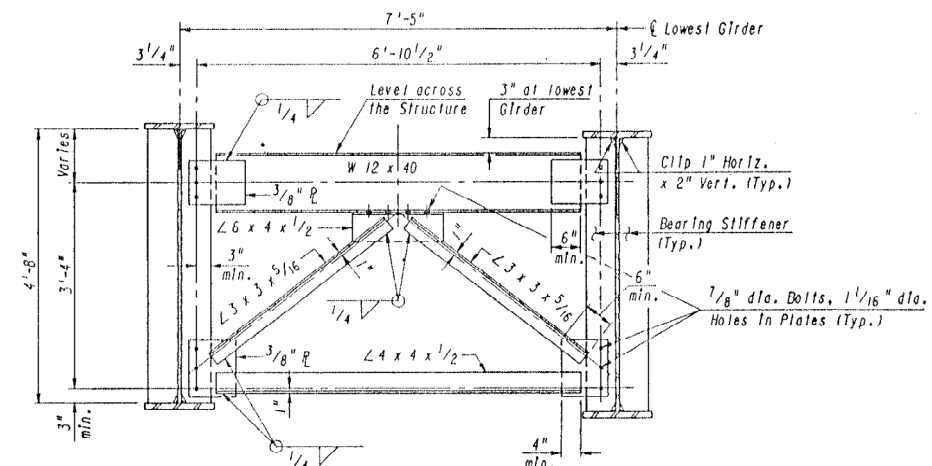
FRAMING PLAN



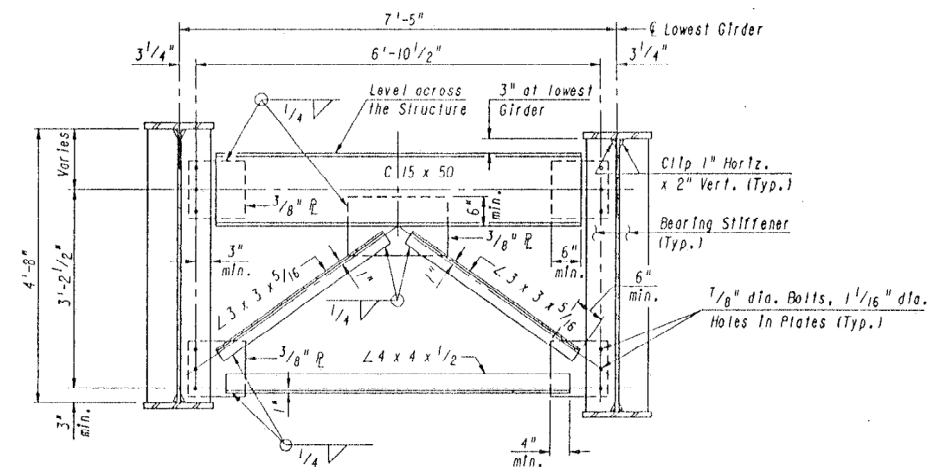
GIRDER ELEVATION

"N.T.R." denotes Plates to which Notch Toughness Requirements are applicable.

Place Intermediate Stiffeners on Inside Face of Exterior Girders and on Inside Face of Interior Girders.



END CROSS FRAME CF-4  
(at North Abut.)



END CROSS FRAME CF-1  
(at South Abut.)