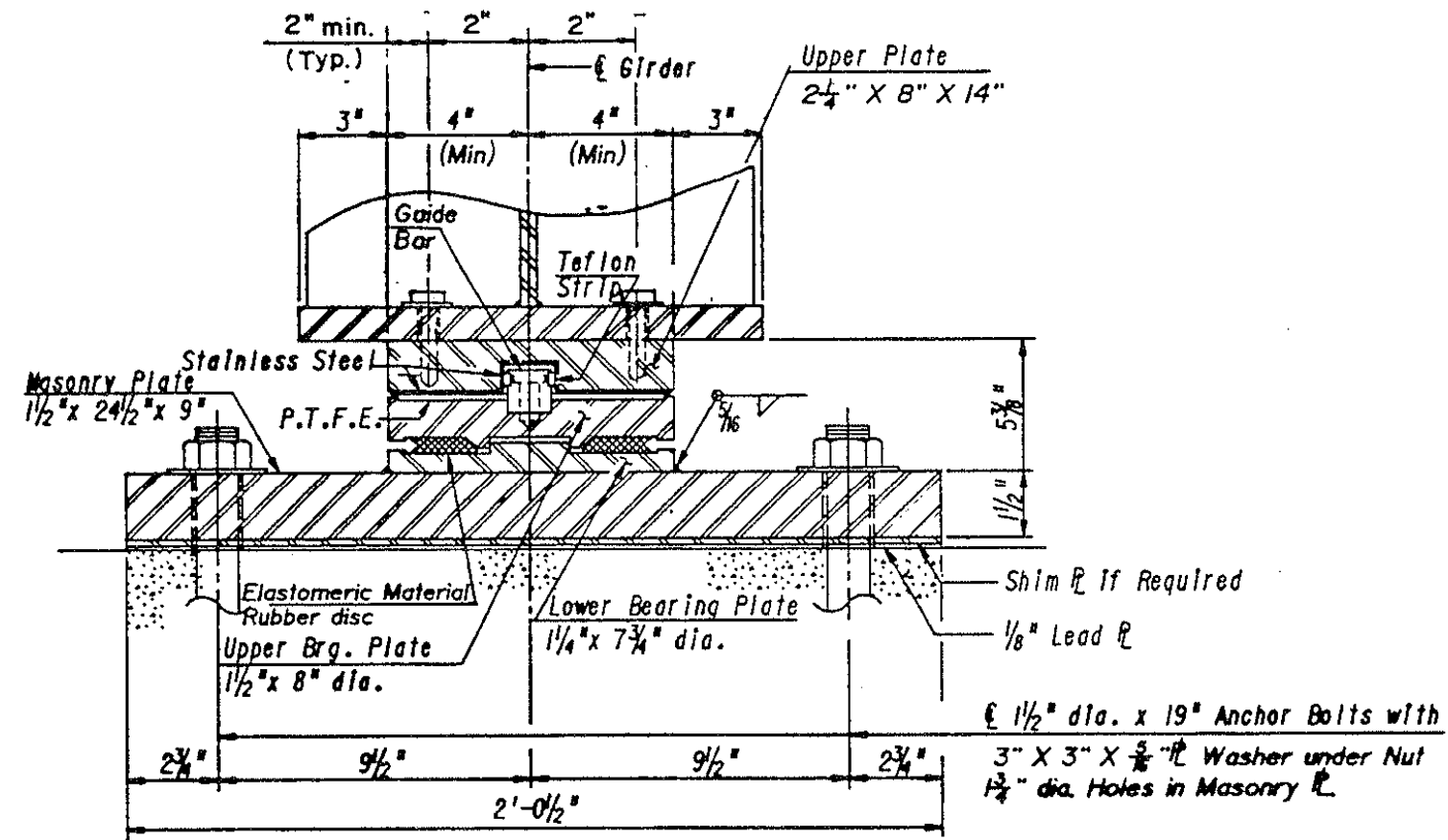


ROUTE	SECTION	COUNTY	TOTAL SHEETS	SHEET NUMBER
VARIOUS	2012-075BP	WILL	24	19

CONTRACT NO. 60V85



SECTION B-B

ABUTMENT BEARING DETAILS

ILLINOIS DEPARTMENT OF
TRANSPORTATION

EXISTING BRIDGE PLAN
LOCATION 3
SN 099-0304

I-55 SB AT CREEK & RR