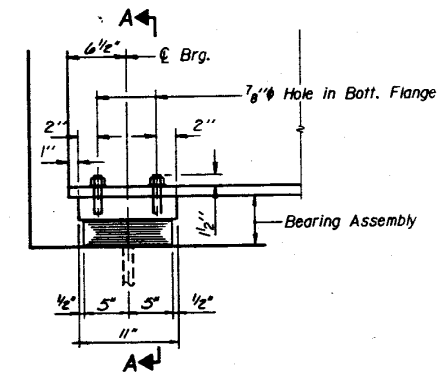
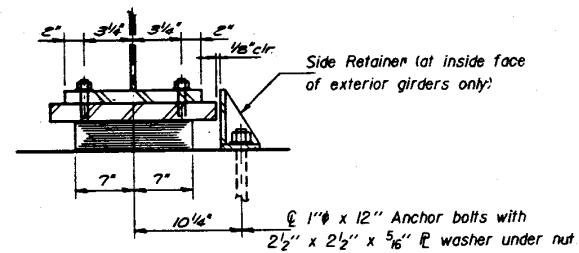


ROUTE	SECTION	COUNTY	TOTAL SHEETS	SHEET NUMBER
VARIOUS	2012-075BP	WILL	24	22

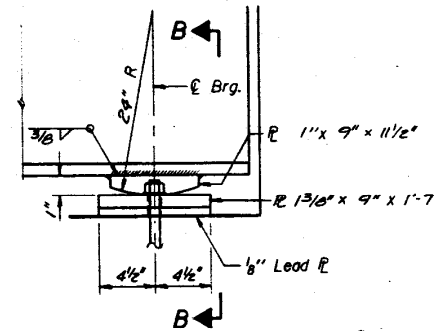
CONTRACT NO. 60V85



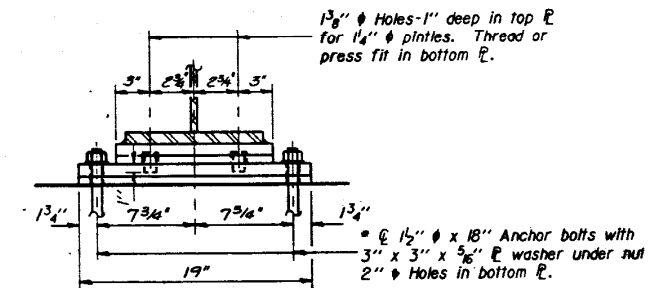
ELEVATION AT EAST ABUT.



SECTION A-A



ELEVATION AT WEST ABUT.



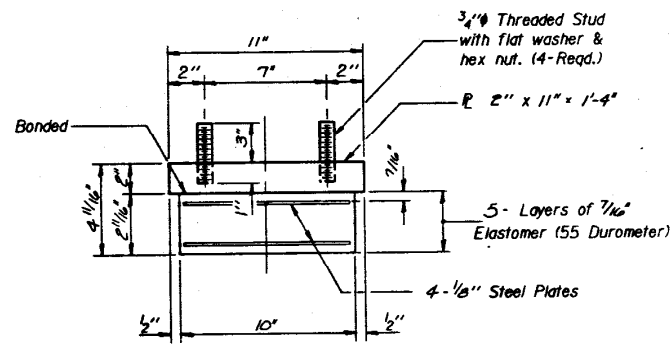
SECTION B-B

TYPE I ELASTOMERIC EXP. BRG.

* Notes: Anchor bolts at fixed bearings may be built into the masonry. See sheet #16 for Anchor Bolt installation.

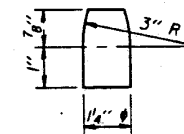
FIXED BEARING

Cost Incidental to Elastomeric Bearing Assembly Type I

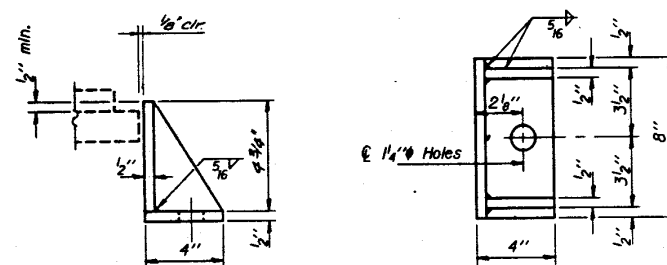


BEARING ASSEMBLY

Note: Shim plates shall not be placed under Bearing Assembly.



PINTLE



SIDE RETAINER

Equivalent rolled angle with stiffeners will be allowed in lieu of welded plates.