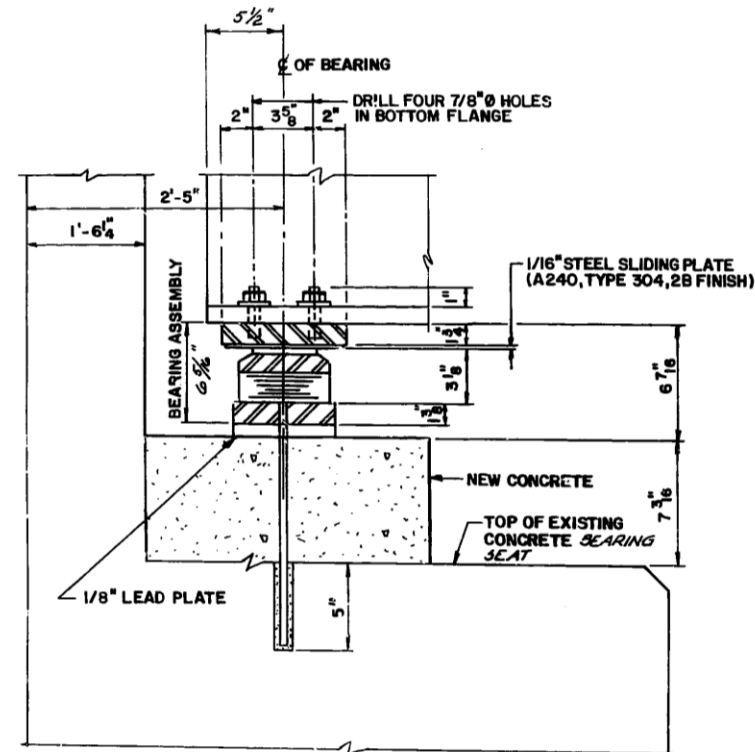
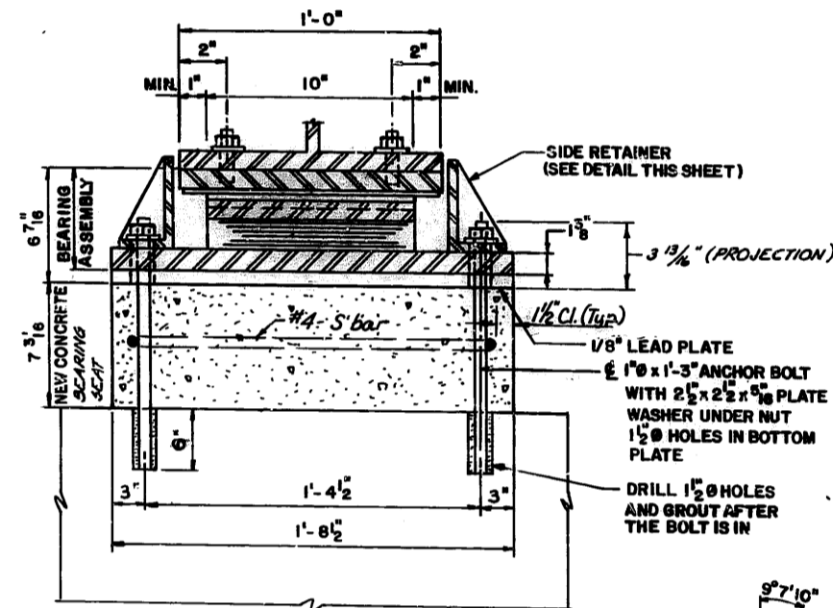


ROUTE	SECTION	COUNTY	TOTAL SHEETS	SHEET NUMBER
VARIOUS	2012-076BP	COOK	34	12

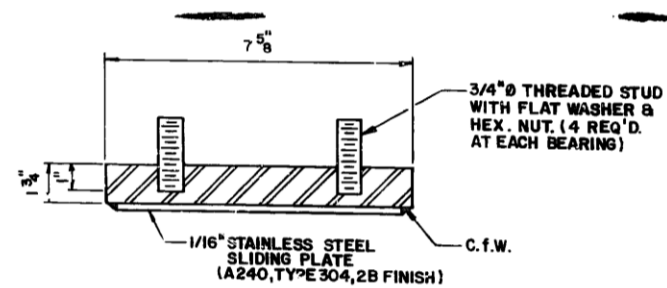
CONTRACT NO. 60V86



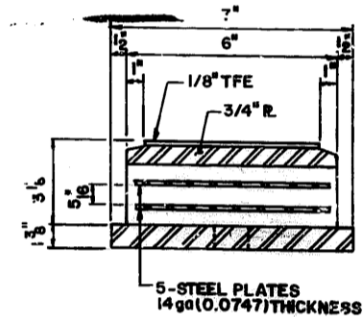
SECTION A-A



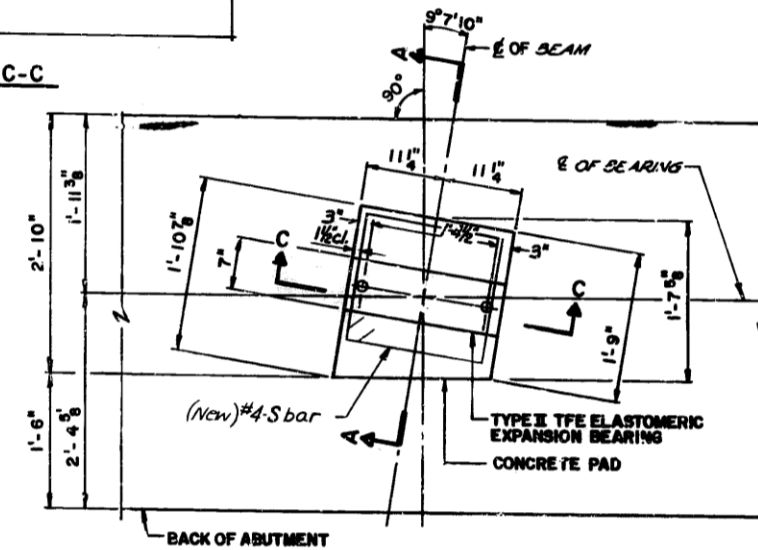
SECTION C-C



TOP BEARING ASSEMBLY



BOTTOM BEARING ASSEMBLY



PLAN OF PROPOSED TYPE II TFE ELASTOMERIC EXPANSION BEARINGS AT ABUTMENTS (TYPICAL)

DETAILS OF PROPOSED TYPE II TFE ELASTOMERIC EXPANSION BEARING AT ABUTMENTS

ILLINOIS DEPARTMENT OF
TRANSPORTATION

EXISTING BRIDGE PLAN
LOCATION 1
SN 016-0961
IL 68 over IL 53