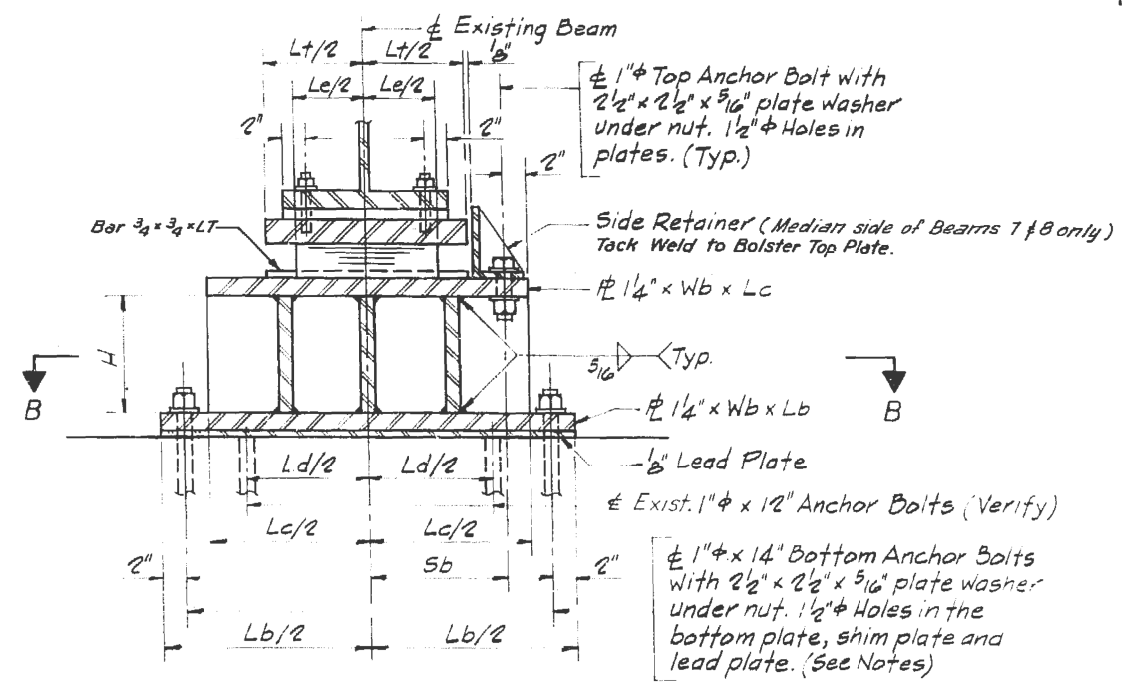
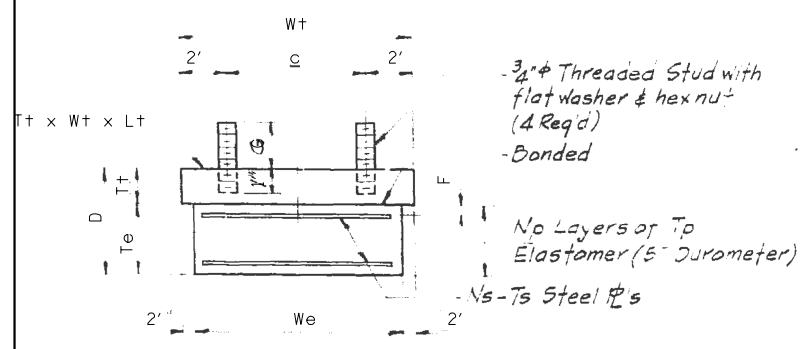


ELEVATION AT EAST ABUT.

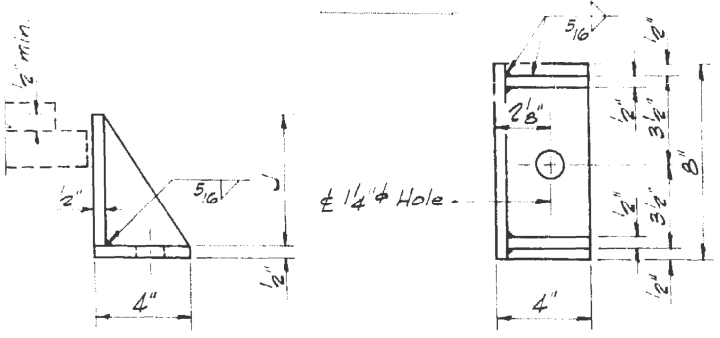
TYPE I ELASTOMERIC EXPANSION BRG. WITH BOLSTER



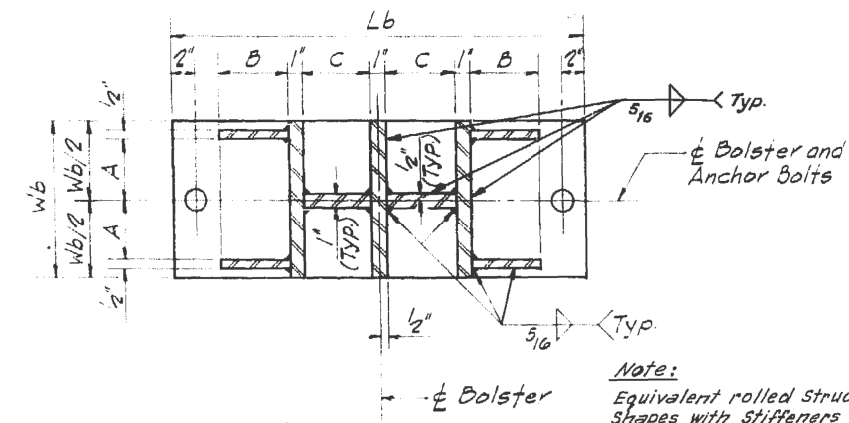
SECTION A-A



EAST ABUT BEARING ASSEMBLY  
PIER 1 BEARING ASSEMBLY



SIDE RETAINER  
 Equivalent rolled angle with stiffeners will be allowed in lieu of welded plates.



SECTION B-B

Note:  
 Equivalent rolled structural shapes with stiffeners will be allowed in lieu of welded plates.

FILE NAME =	USER NAME = honga	DESIGNED -	REVISED -	<b>STATE OF ILLINOIS DEPARTMENT OF TRANSPORTATION</b>	<b>SN 016-0217 EAST BEARING DETAILS</b>	F.A.P. RTE.	SECTION	COUNTY	TOTAL SHEETS	SHEET NO.	
et:\pwork\pwork\honga\d0319419\0109013.sht-plan.dgn	PLOT SCALE = 100.0000' / in.	DRAWN -	REVISED -			345	2012-077BP	COOK & KANE	19	9	
\$MODELNAME\$	PLOT DATE = 11/9/2012	CHECKED -	REVISED -			CONTRACT NO. 60V88					
		DATE -	REVISED -			ILLINOIS FED. AID PROJECT					