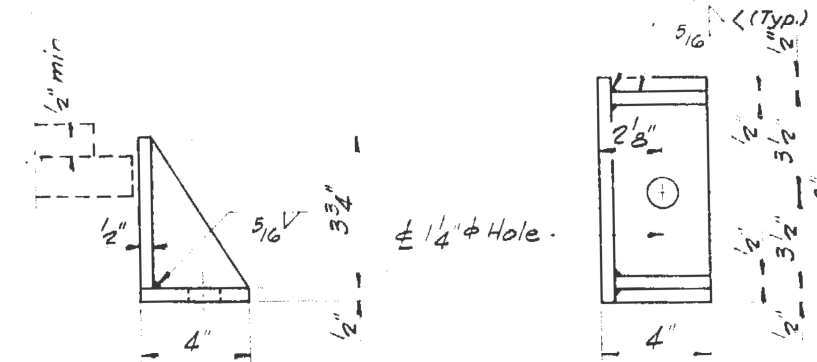
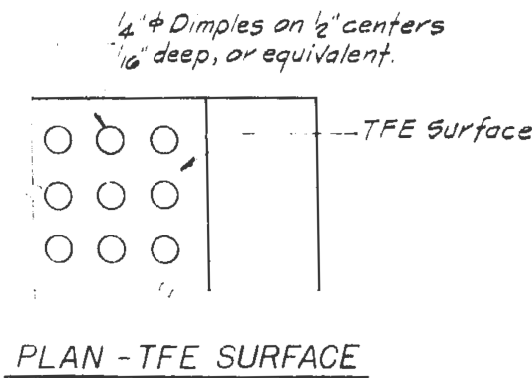
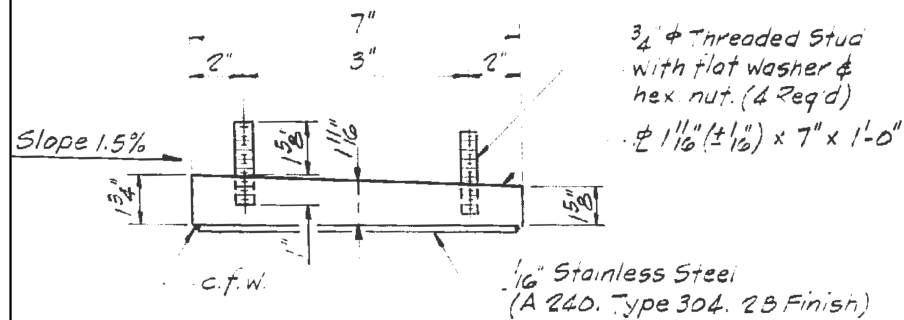


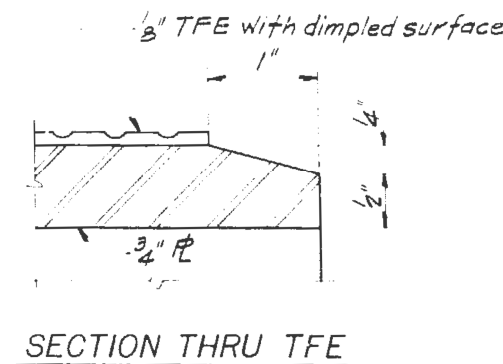
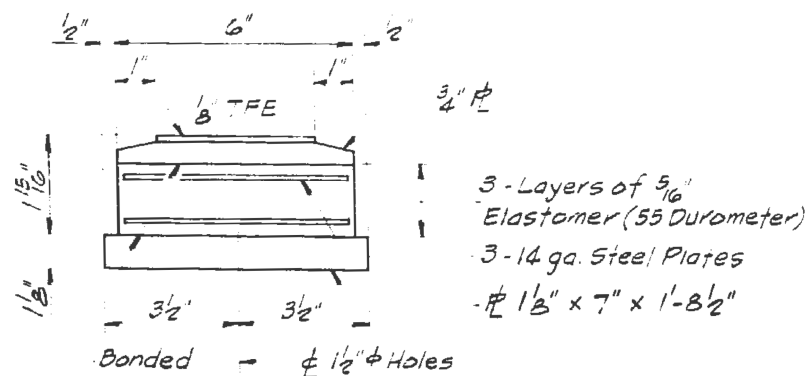
TYPE II TFE ELASTOMERIC EXP. BRG. WITH BOLSTER



Equivalent rolled angle with stiffeners will be allowed in lieu of welded plates.

TOP BEARING ASSEMBLY

PLAN - TFE SURFACE



FILE NAME =	USER NAME = honga	DESIGNED -	REVISED -
et:\pwork\pwork\honga\d0319419\0109013.sht-plan.dgn		DRAWN -	REVISED -
#MODELNAME#	PLOT SCALE = 100.0000' / in.	CHECKED -	REVISED -
	PLOT DATE = 11/9/2012	DATE -	REVISED -

STATE OF ILLINOIS
DEPARTMENT OF TRANSPORTATION

SN 016-0217		F.A.P. RTE.	SECTION	COUNTY	TOTAL SHEETS	SHEET NO.
WEST BEARING DETAILS		345	2012-077BP	COOK & KANE	19	10
SCALE:	SHEET 4 OF 4 SHEETS	STA.	TO STA.		CONTRACT NO. 60V88	

ILLINOIS FED. AID PROJECT	
---------------------------	--