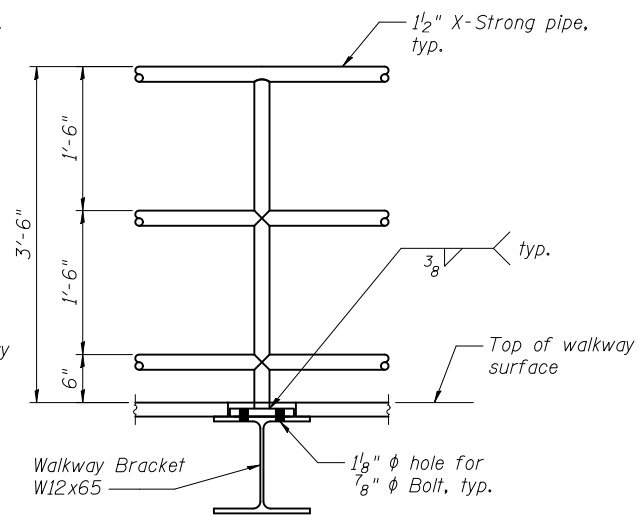
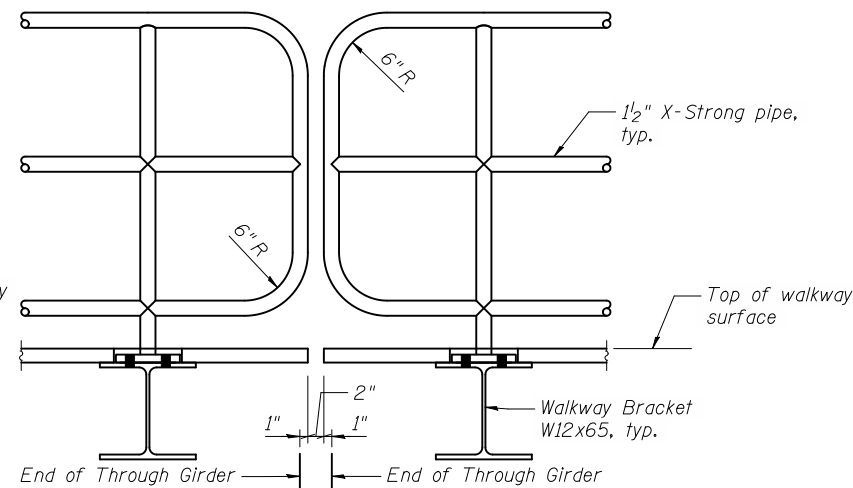


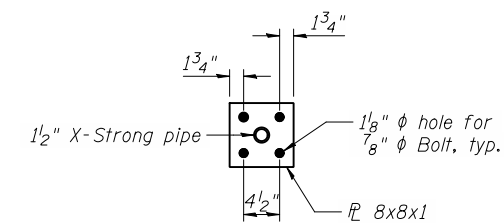
HANDRAIL ELEVATION AT ABUTMENT



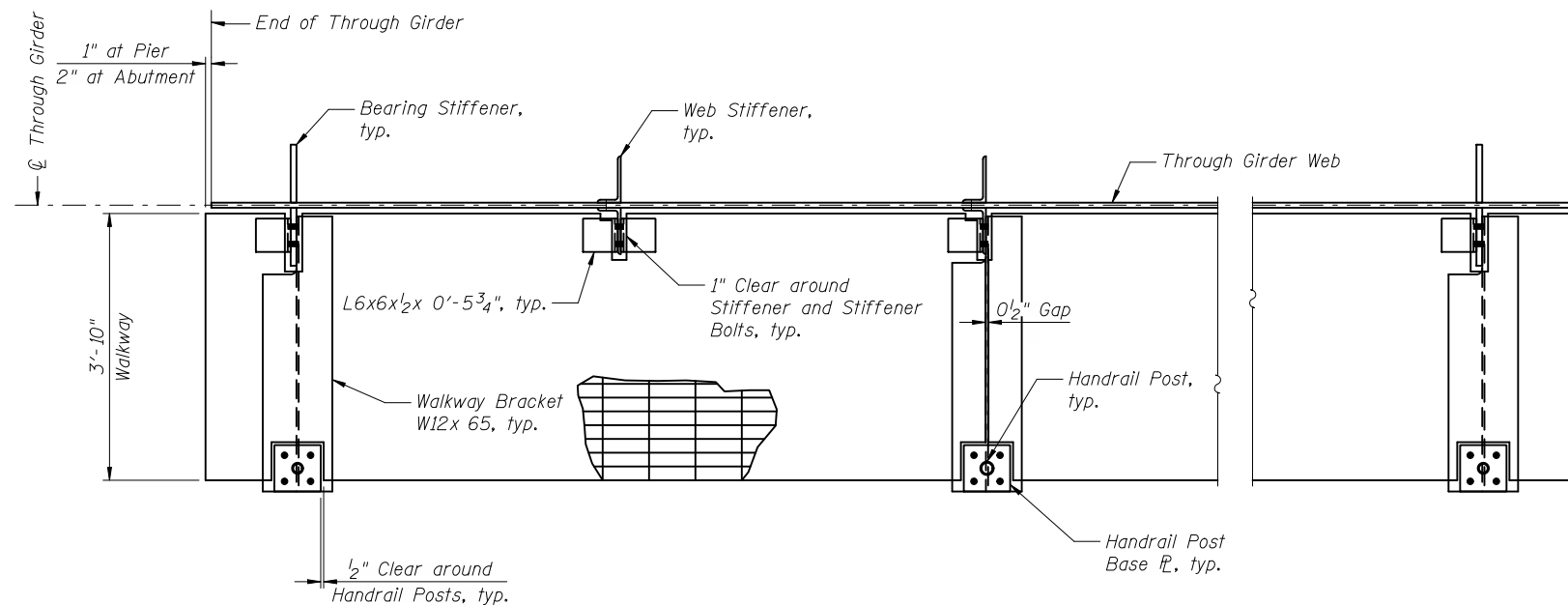
TYPICAL HANDRAIL POST DETAIL



HANDRAIL ELEVATION AT PIER



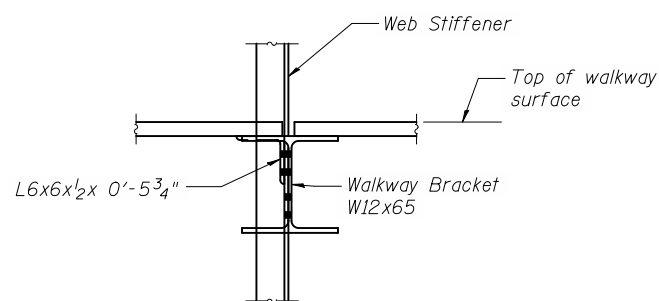
HANDRAIL POST BASE PLATE



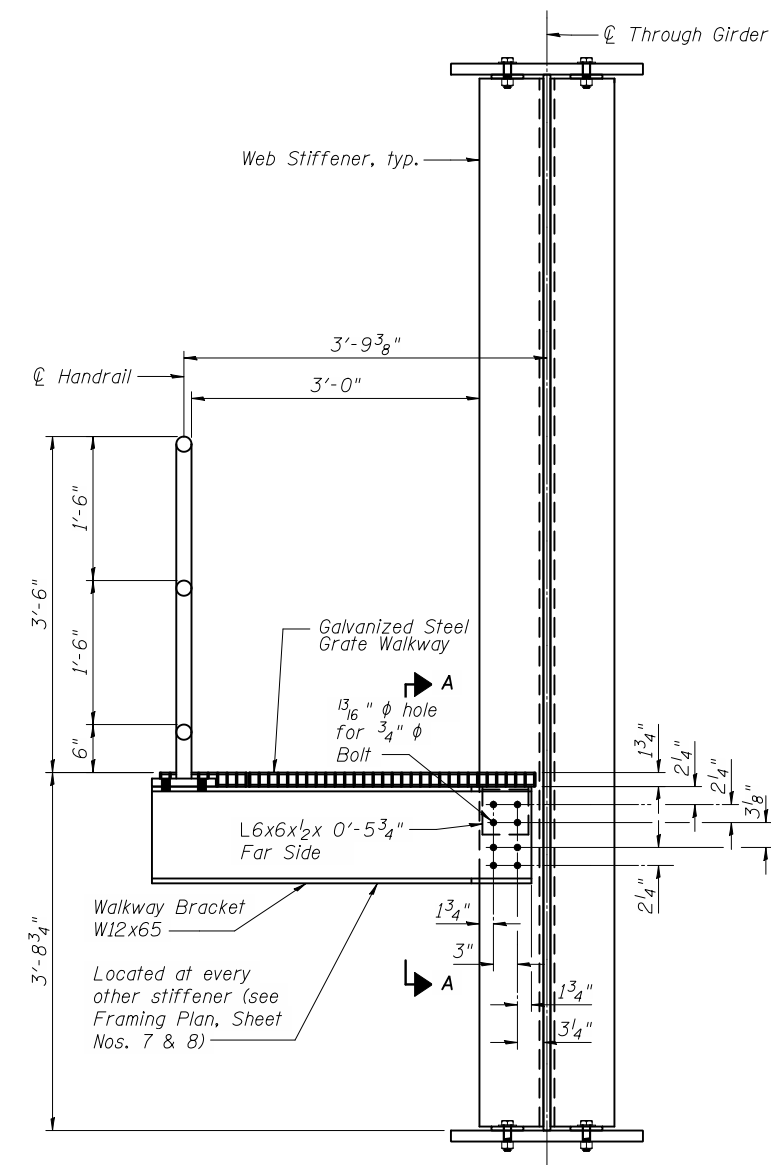
EXTERIOR WALKWAY TYPICAL PLAN

Note: Floor Beams not shown for clarity.

- Notes:
1. Vent holes shall be provided as required by Standard Specification Article 509.
 2. Handrail assembly shall be galvanized after fabrication.



SECTION A-A



EXTERIOR WALKWAY SECTION

11/2/2012 11:24:45 AM c:\pwworking\oma\0463409\0220226-60842-020-HDT.DGN jmgus

USER NAME = jmgus	DESIGNED - AMM	REVISED -
FILE NAME = 0220226-60842-020-HDT.DGN	CHECKED - LAG	REVISED -
PLOT SCALE = NONE	DRAWN - RMA	REVISED -
PLOT DATE = 11/2/2012	CHECKED - AMM	REVISED -

F.A.U. RTE.	SECTION	COUNTY	TOTAL SHEETS	SHEET NO.
1321	32VB	DU PAGE	388	161
CONTRACT NO. 60W01				