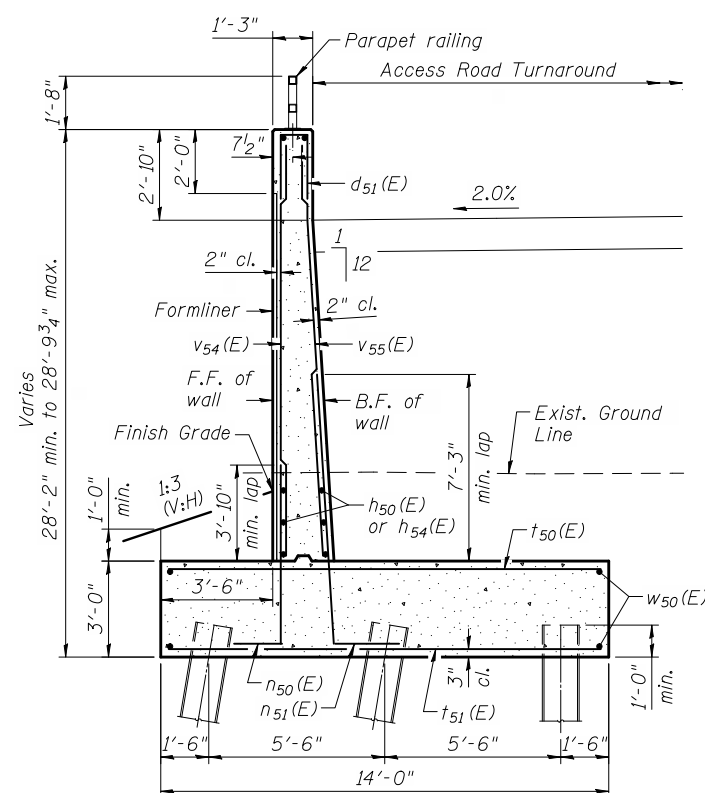
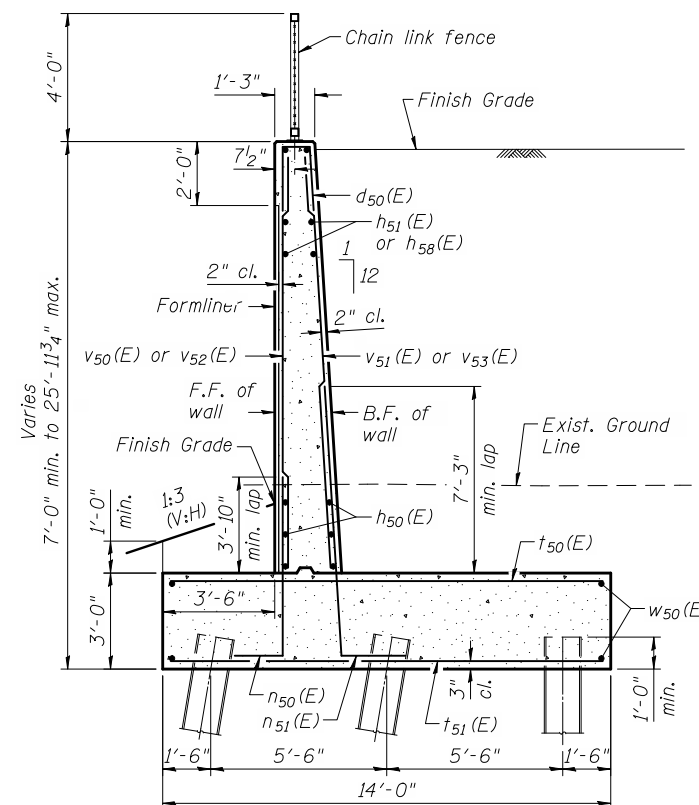


**CPR RW-5
BILL OF MATERIAL**

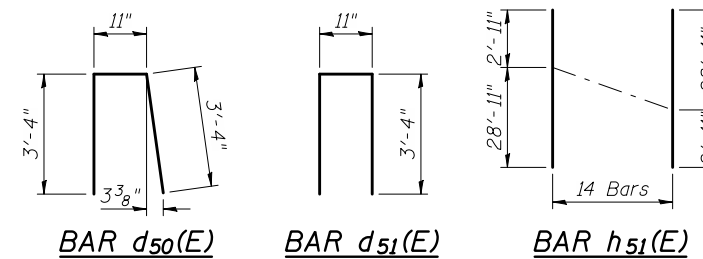
Bar	No.	Size	Length	Shape
d ₅₀ (E)	74	#6	7'-7"	Π
d ₅₁ (E)	76	#6	7'-7"	Π
h ₅₀ (E)	56	#5	29'-8"	—
h ₅₁ (E)	14	#5	31'-10"	—
h ₅₂ (E)	8	#5	28'-11"	—
h ₅₃ (E)	6	#5	23'-0"	—
h ₅₄ (E)	92	#5	33'-6"	—
h ₅₅ (E)	4	#5	33'-0"	—
h ₅₆ (E)	6	#5	33'-2"	—
h ₅₇ (E)	6	#5	26'-10"	—
h ₅₈ (E)	14	#5	30'-6"	—
h ₅₉ (E)	4	#5	7'-6"	—
n ₅₀ (E)	150	#6	7'-7"	J
n ₅₁ (E)	300	#9	11'-7"	L
t ₅₀ (E)	300	#8	13'-8"	—
t ₅₁ (E)	150	#9	13'-8"	—
v ₅₀ (E)	30	#6	23'-0"	—
v ₅₁ (E)	30	#9	23'-0"	—
v ₅₂ (E)	7	#6	41'-6"	—
v ₅₃ (E)	7	#9	41'-6"	—
v ₅₄ (E)	76	#6	25'-0"	—
v ₅₅ (E)	76	#9	25'-0"	—
w ₅₀ (E)	120	#6	40'-7"	—
Porous Granular Embankment			Cu. Yd.	442
Removal and Disposal of Unsuitable Material for Structures			Cu. Yd.	1,858
Form Liner Textured Surface			Sq. Ft.	2,644
Reinforcement Bars, Epoxy Coated			Pound	61,380
Furnishing Steel Piles HP14x89			Foot	3,827
Driving Piles			Foot	3,827
Test Pile Steel HP14x89			Each	1
Geocomposite Wall Drain			Sq. Yd.	277
Pipe Underdrains for Structures 4"			Foot	150
Chain Link Fence, 4'			Foot	82
Parapet Railing			Foot	77
Concrete Structures CPR Special			Cu. Yd.	457.8



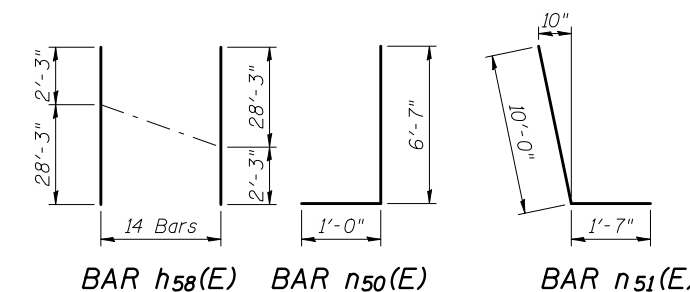
SECTION A-A
(Looking upstation)



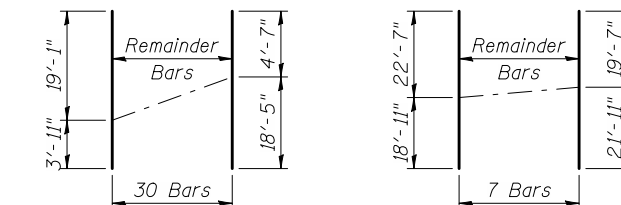
SECTION B-B
(Looking upstation)



BAR d₅₀(E) BAR d₅₁(E) BAR h₅₁(E)



BAR h₅₈(E) BAR n₅₀(E) BAR n₅₁(E)



BARS v₅₀(E) & v₅₁(E) BARS v₅₂(E) & v₅₃(E)

PILE DATA

Type: HP14x89
 Min. Tip Elevation: 640.0
 Required Resistance: 284 kips
 Allowable Resistance Available: 142 kips
 Est. Length: 43 feet
 No. Piles: 89 + 1 Test Pile

NOTES:

- All piles must be driven to the minimum tip elevation shown. At the minimum tip elevation, driving shall be continued until the required resistance is achieved. "Required resistance" is equivalent to "nominal required bearing" in the IDOT Standard Specifications. The nominal driven bearing, as determined by the pile driving formula specified in Art. 512.14 of the IDOT Standard Specifications and modified by the Special Provisions, must be greater than or equal to the required resistance shown.
- Bars indicated thus 13 x 5-#6 etc. indicates 13 lines of bars with 5 lengths per line.

ca:\pwworking\oma\d0593503\WXXX-60B42-023-WEL.DGN
jmgus

11/2/2012 11:31:40 AM



USER NAME = jmgus	DESIGNED - BWC	REVISED -
FILE NAME = WXXX-60B42-023-WEL.DGN	CHECKED - JAR	REVISED -
PLOT SCALE = NONE	DRAWN - JM	REVISED -
PLOT DATE = 11/2/2012	CHECKED - JAR	REVISED -

**STATE OF ILLINOIS
DEPARTMENT OF TRANSPORTATION**

**CPR RW-5 SECTIONS & BILL OF MATERIAL
CPR RETAINING WALLS**

SHEET NO. 25 OF 42 SHEETS

F.A.P. RTE.	SECTION	COUNTY	TOTAL SHEETS	SHEET NO.
345A	32VB	DU PAGE	388	227
CONTRACT NO. 60W01				
ILLINOIS FED. AID PROJECT				