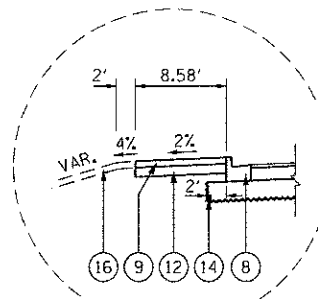
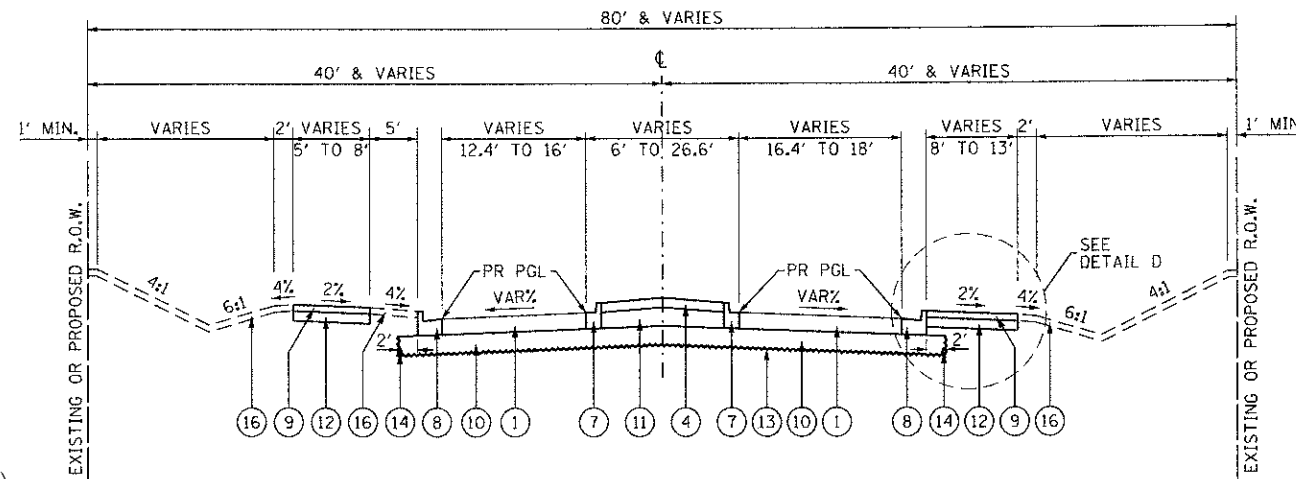


**PROPOSED TYPICAL SECTION
MONAVILLE ROAD
STA 101+77.24 TO 105+31.21 (WEST LEG)**

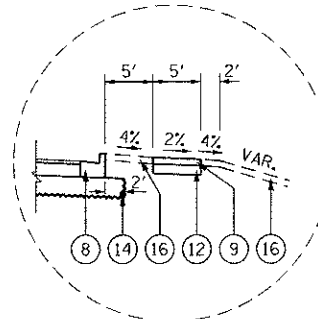
NOTE: BUTT JOINT LIMITS ARE FROM STA. 101+57.24 TO STA. 101+77.24



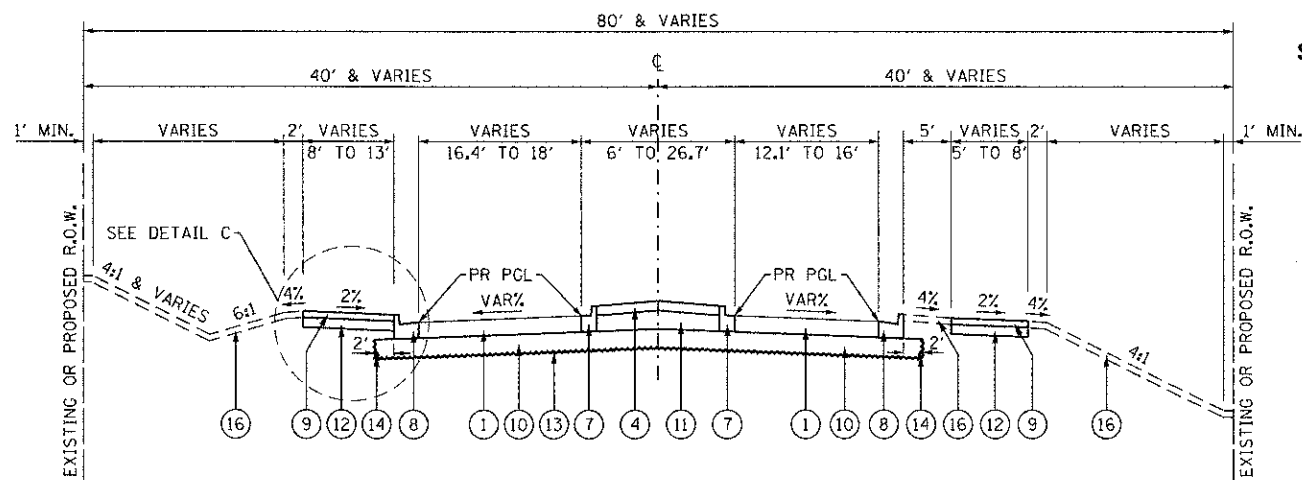
**DETAIL A
STA. 105+25.03 TO 105+31.21**



**PROPOSED TYPICAL SECTION
MONAVILLE ROAD
STA 107+36.73 TO 108+12.25 (EAST LEG)**

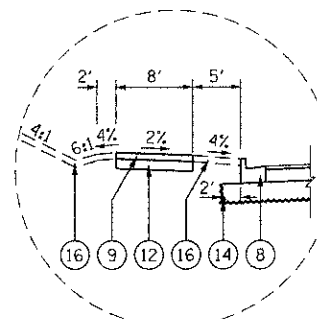


**DETAIL B
STA. 104+12.41 TO 105+31.21**

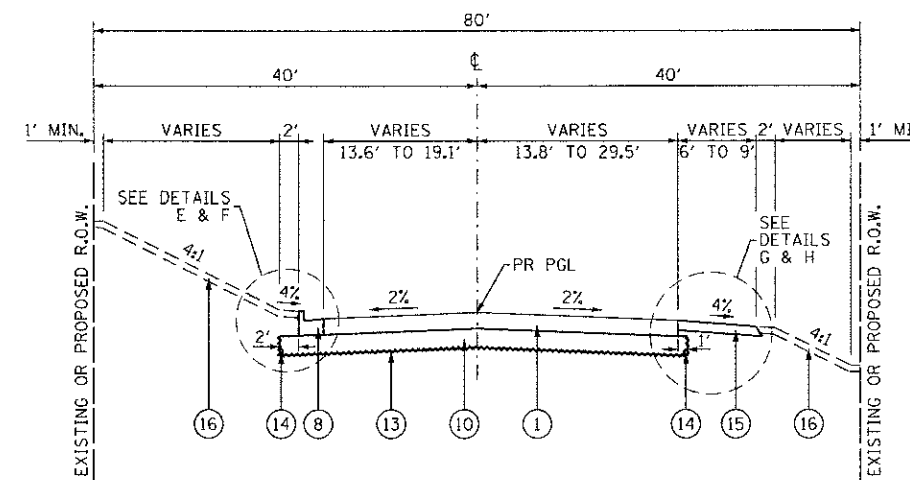


**PROPOSED TYPICAL SECTION
MONAVILLE ROAD
STA 105+31.21 TO 106+06.73 (WEST LEG)**

STA. 70+49.87 TO STA. 71+79.87
SEE ROADWAY PLAN, SHEET 21

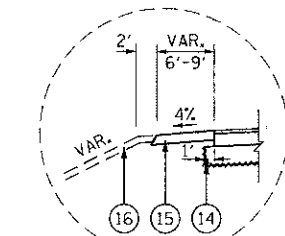


**DETAIL C
STA. 105+82.00 TO 106+06.73**



**PROPOSED TYPICAL SECTION
MONAVILLE ROAD
STA 108+12.25 TO 112+00.00 (EAST LEG)**

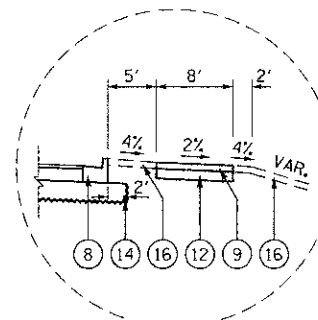
NOTE: BUTT JOINT LIMITS ARE FROM STA. 112+00.00 TO STA. 112+20.00



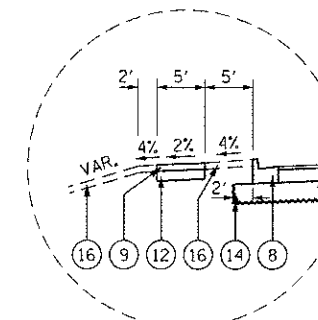
**DETAIL H
STA. 109+49.98 TO 112+00.00**

PROPOSED LEGEND

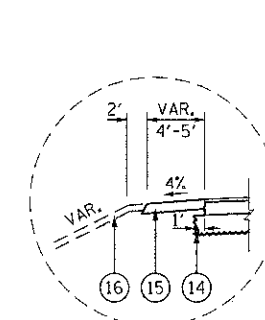
- | | |
|---|---|
| ① HOT-MIX ASPHALT PAVEMENT (FULL-DEPTH), 10" (40701881) | ⑨ PORTLAND CEMENT CONCRETE SIDEWALK 4 INCH (42400100) |
| ② HOT-MIX ASPHALT SHOULDERS, 6" (48203021) | ⑩ AGGREGATE SUBGRADE IMPROVEMENT, 12" (30300112) |
| ③ NOT USED | ⑪ AGGREGATE SUBGRADE IMPROVEMENT (30300001) |
| ④ CONCRETE MEDIAN SURFACE, 4 INCH (60618300)
STAMPED COLORED PORTLAND CEMENT CONCRETE (XX006898) | ⑫ AGGREGATE BASE COURSE, TYPE B 6" (35101800) |
| ⑤ PORTLAND CEMENT CONCRETE PAVEMENT 14" (JOINTED) (42000564)
STAMPED COLORED PORTLAND CEMENT CONCRETE (XX006898) | ⑬ GEOTECHNICAL FABRIC FOR GROUND STABILIZATION (21001000) |
| ⑥ COMBINATION CONCRETE CURB AND GUTTER, TYPE M-4.06 (X6064201) | ⑭ PIPE UNDERDRAINS 4" (MODIFIED) (X6013600) |
| ⑦ COMBINATION CONCRETE CURB AND GUTTER, TYPE B-6.12 (60603800) | ⑮ AGGREGATE SHOULDERS, TYPE B 6" (48101500) |
| ⑧ COMBINATION CONCRETE CURB AND GUTTER, TYPE B-6.24 (60605000) | ⑯ TOPSOIL FURNISH AND PLACE, 4" (21101615) |
| | ⑰ TOPSOIL FURNISH AND PLACE, 6" (21101625) |
| | ⑱ STEEL PLATE BEAM GUARDRAIL, TYPE A, 6 FOOT POSTS (63000001) |



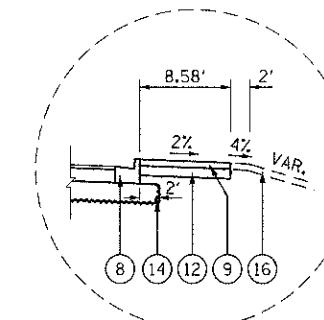
**DETAIL D
STA. 71+79.87 TO 72+04.59**



**DETAIL E
STA. 108+12.25 TO 109+38.09**



**DETAIL F
STA. 111+88.06 TO 112+00.00**



**DETAIL G
STA. 108+12.25 TO 108+17.69**

FILE NAME = L:\AL\KED\1122481\Draws\CORD_Sheets\31.jpg;PR_2.dgn



USER NAME = Jaff Sedig	DESIGNED - MNB	REVISED -
PLOT SCALE = 20,0000' / in.	DRAWN - MNB	REVISED -
PLOT DATE = 11/12/2012	CHECKED - CMC	REVISED -
	DATE - 10/22/2012	REVISED -

**STATE OF ILLINOIS
DEPARTMENT OF TRANSPORTATION**

**TYPICAL SECTIONS
PROPOSED
MONAVILLE ROAD**

F.A.I. RTE. 0192	SECTION 06-00153-07-CH	COUNTY LAKE	TOTAL SHEETS 120	SHEET NO. 11
CONTRACT NO. 63682				
FED. ROAD DIST. NO. ILLINOIS FED. AID PROJECT				

SCALE: SHEET NO. 3 OF 3 SHEETS STA. TO STA.