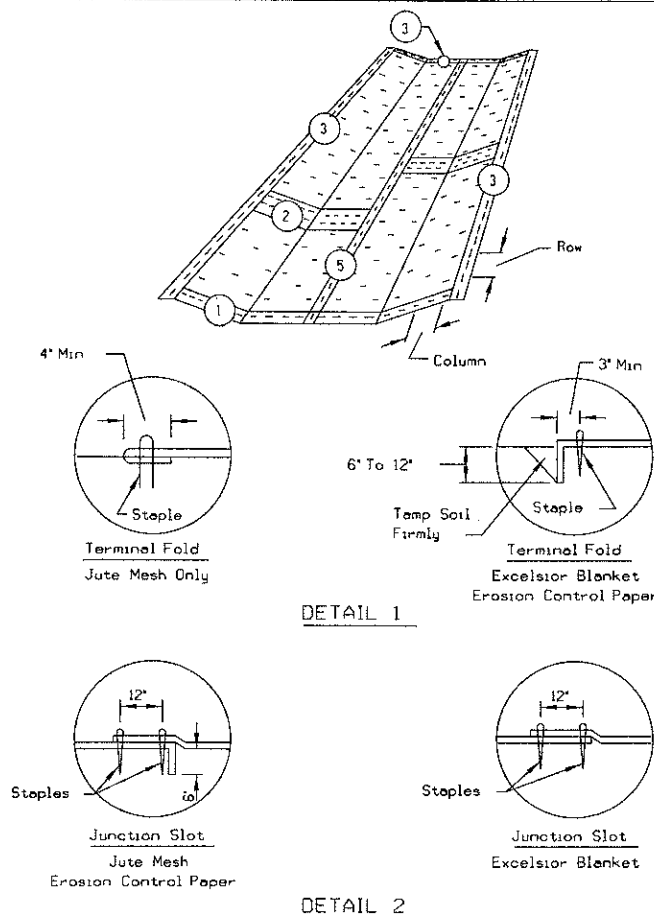
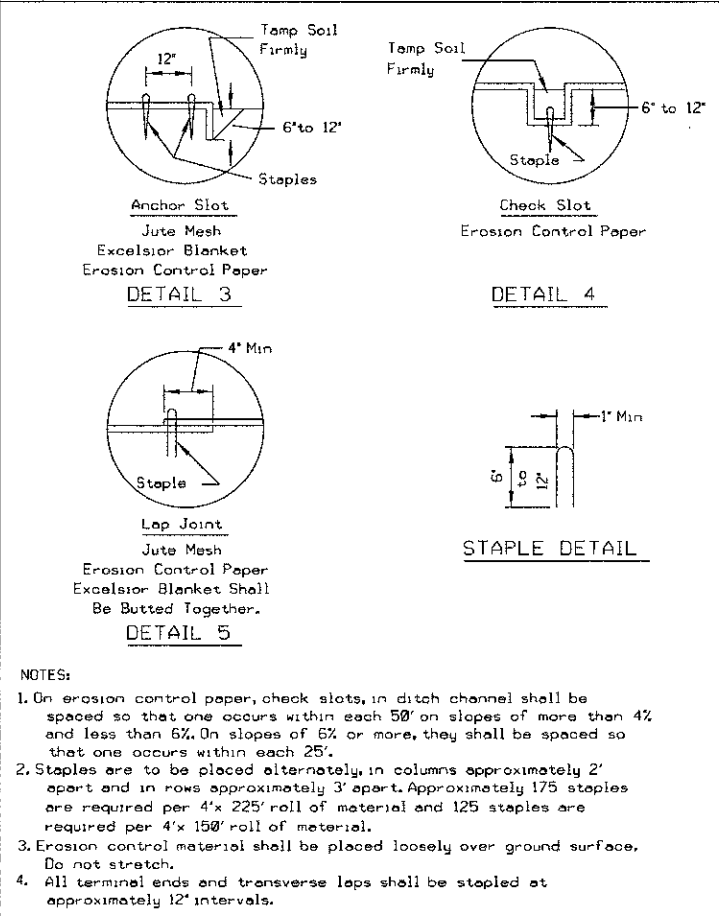


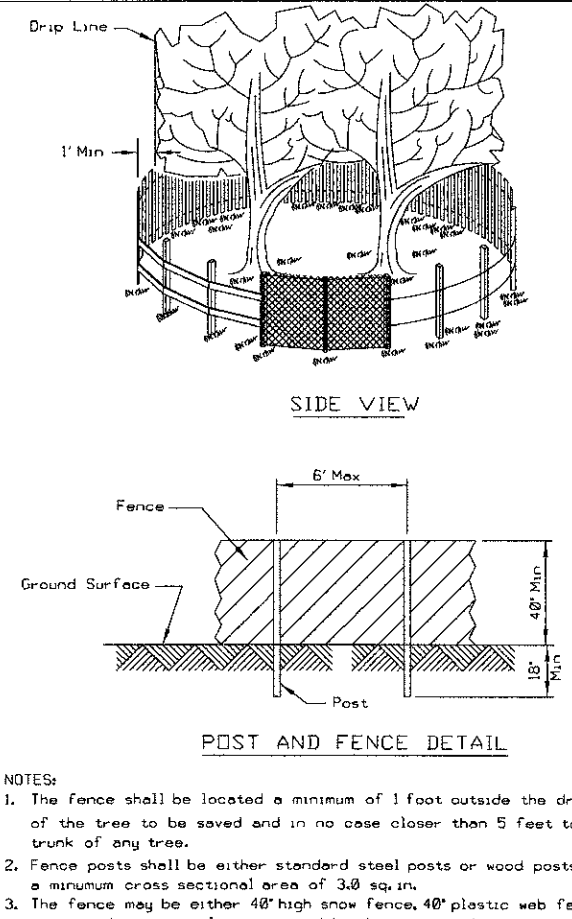
EROSION BLANKET PLAN



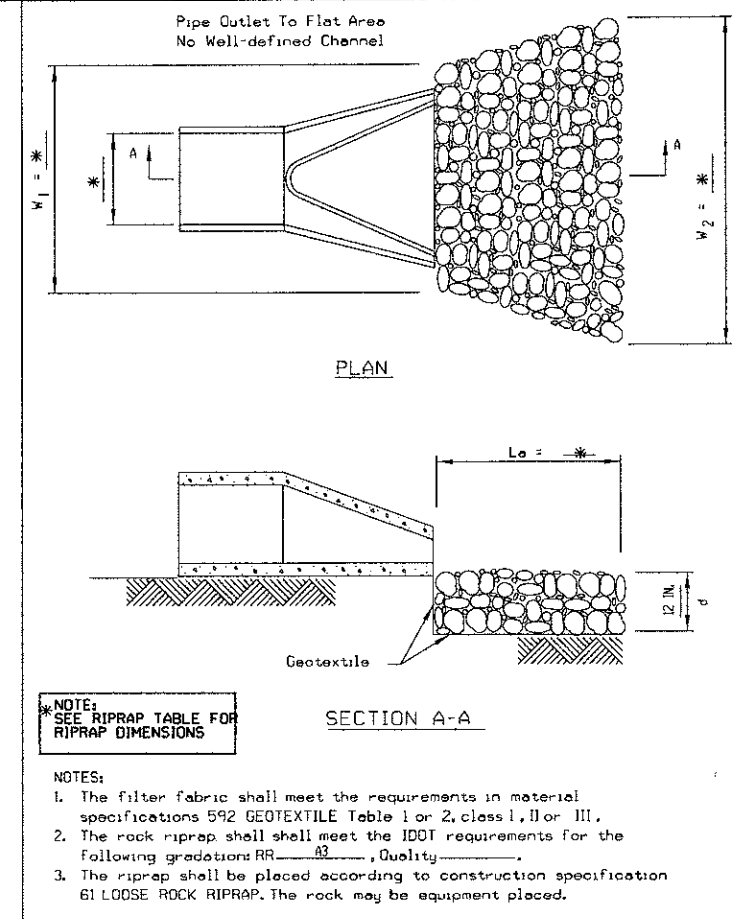
EROSION BLANKET PLAN



TREE PROTECTION - FENCING



PIPE OUTLET TO FLAT AREA



REFERENCE	PROJECT	DATE
DESIGNED	DATE	
CHECKED	DATE	
APPROVED	DATE	



STANDARD DWG. NO.	PROJECT	DATE
IL-530	DESIGNED	
SHEET 1 OF 2	CHECKED	
DATE 5-24-94	APPROVED	



REFERENCE	PROJECT	DATE
DESIGNED	DATE	
CHECKED	DATE	
APPROVED	DATE	

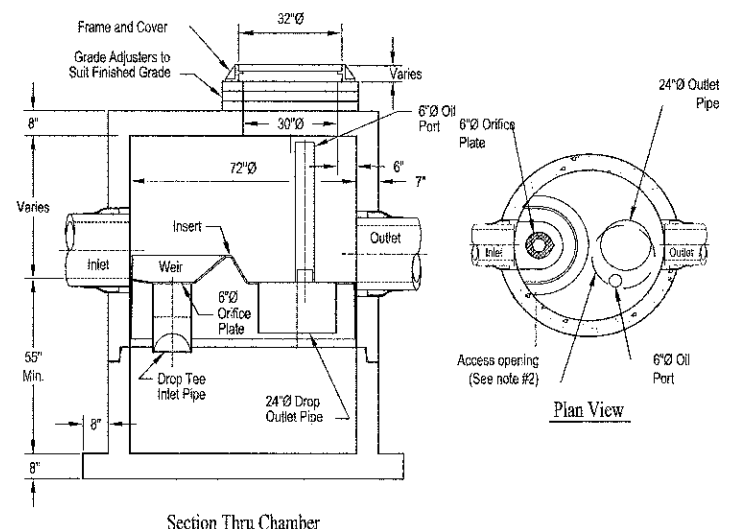


STANDARD DWG. NO.	PROJECT	DATE
IL-690	DESIGNED	
SHEET 1 OF 1	CHECKED	
DATE 4-7-94	APPROVED	



STANDARD DWG. NO.	PROJECT	DATE
IL-610	DESIGNED	
SHEET 1 OF 1	CHECKED	
DATE 9-15-93	APPROVED	

STORMWATER TREATMENT STRUCTURES, 900 GALLONS



- Notes:
- The Use Of Flexible Connection is Recommended at The Inlet and Outlet Where Applicable.
 - The Cover Should be Positioned Over The Outlet Drop Pipe and The Oil Port.
 - Structure shall be STC Precast Concrete Stormceptor (900 Gallon Capacity) or approved equal.

*Outlet Invert shall be lower than the inlet invert.

RIPRAP LAYOUT TABLE			
STRUCTURE LOC.	W1 (FT)	W2 (FT)	LA (FT)
STA. 111+43.14, LT.	4.5	14	12
STA. 69+10.00, RT.	4.2	11	10
STA. 75+35.48, RT.	4.5	14	12

NOTE:
SEE LAKE COUNTY STD. DETAIL
NO. LC2050 FOR URETHANE FOAM/
GEOTEXTILE INSTALLATION

FILE NAME: L:\LAKEDON\122481\Drawings\0600_Sheets\erc-4.dgn



USER NAME = Jeff Sedig	DESIGNED - SJP	REVISED -
PLOT SCALE = 48.0000 / 1"	DRAWN - SJP	REVISED -
PLOT DATE = 11/12/2012	CHECKED - CMC	REVISED -
	DATE - 10/22/2012	REVISED -

STATE OF ILLINOIS
DEPARTMENT OF TRANSPORTATION

EROSION CONTROL PLAN

SCALE: N/A SHEET NO. 4 OF 4 SHEETS STA. N/A TO STA. N/A

F.A.U. RTE.	SECTION	COUNTY	TOTAL SHEETS	SHEET NO.
0192	06-00153-07-CH	LAKE	120	47
CONTRACT NO. 63682				
FED. ROAD DIST. NO. ILLINOIS FED. AID PROJECT				