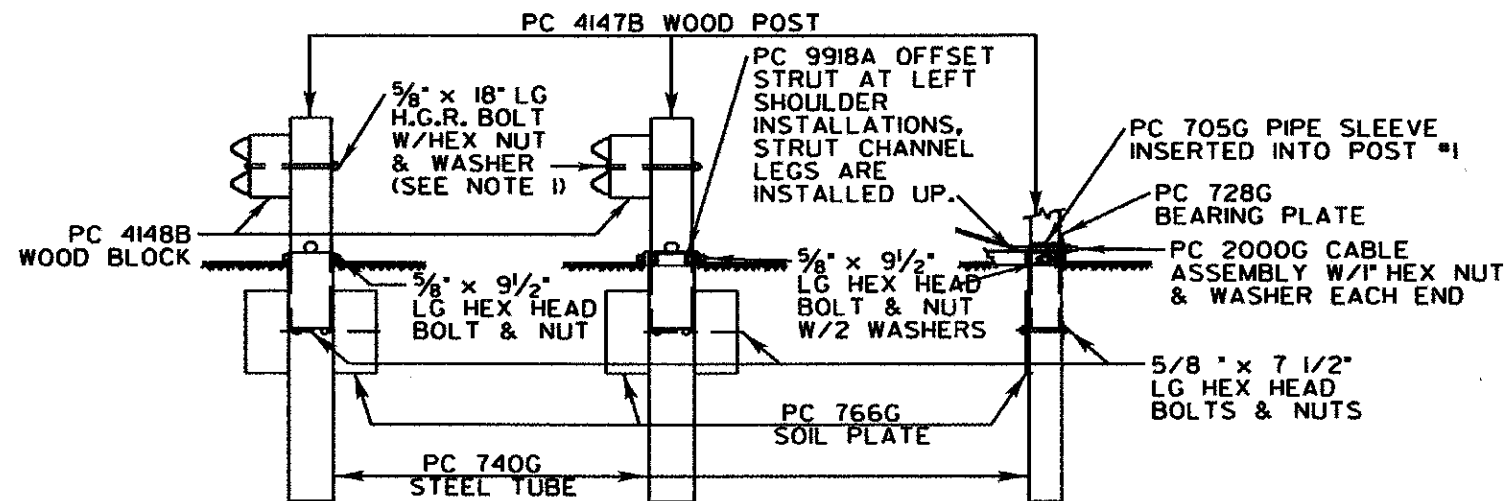


SCALE: 1" = 6'



SECTION "B-B" (TYP @ POSTS #3, 4, 6, 7 & 8)
 SECTION "A-A" (@ POST #2)
 PARTIAL VIEW (@ POST #1)
 SCALE: 1" = 3'

NOTE: SECTION "B-B" IS SIMILAR @ POST #5 EXCEPT RAIL IS NOT ATTACHED.

BILL OF MATERIAL		
PC	QTY	DESCRIPTION
60G	1	DEEP BEAM GUARD RAIL (12GA)
62G	1	DEEP BEAM GUARD RAIL (12GA)
705G	1	PIPE SLEEVE
766G	8	SOIL PLATE
4148B	7	WOOD BLOCK
4147B	8	WOOD POST
740G	8	STEEL TUBE
782G	1	BEARING PLATE
704A	1	CABLE ANCHOR
3000G	1	CABLE ASSEMBLY
9918G	1	OFFSET STRUT
985A	1	GUARDRAIL EXTRUDER
HARDWARE		
3497G	8	5/8" x 9 1/2" HEX HD BOLT
3580G	7	5/8" x 18" H.G.R. POST BOLT
3360G	16	5/8" x 1 1/4" H.G.R. SPLICE BOLT
3478G	16	5/8" x 7 1/2" HEX HD BOLT
3340G	47	5/8" H.G.R. NUT
3300G	11	5/8" WASHER
3264G	2	3/8" x 5" LAG SCREW
3910G	2	1" HEX NUT
3900G	2	1" WASHER

NOTES:

- THE 5/8" FLAT WASHER IS USED UNDER THE NUT, BEHIND THE POST ONLY. NO WASHER IS USED AT THE RAIL.
- THE BREAKAWAY POSTS @ LOCATIONS #5, 6, 7 & 8 MAY BE AS SHOWN OR MAY UTILIZE POSTS AS SHOWN IN OPTION "B" WITHOUT FOUNDATION TUBES. (SEE DRAWING NO SS 241.) POSTS @ LOCATIONS #1, 2, 3 & 4 MUST USE FOUNDATION TUBES.
- THE ER-2000 WAS TESTED ON FLAT & LEVEL TERRAIN. IT IS NOT RECOMMENDED ON SLOPES.
- MANUFACTURER SUGGESTS CUSTOMER TO PROVIDE REFLECTORIZATION OF TERMINAL.

<table border="1"> <thead> <tr> <th>REVISIONS</th> <th>DATE</th> </tr> </thead> <tbody> <tr><td> </td><td> </td></tr> <tr><td> </td><td> </td></tr> <tr><td> </td><td> </td></tr> <tr><td> </td><td> </td></tr> <tr><td> </td><td> </td></tr> <tr><td> </td><td> </td></tr> <tr><td> </td><td> </td></tr> <tr><td> </td><td> </td></tr> <tr><td> </td><td> </td></tr> <tr><td> </td><td> </td></tr> </tbody> </table>	REVISIONS	DATE																					<p>APPROVED BY: A. KHAWAJA DATE: APRIL 1, 2007</p>	LC6310
REVISIONS	DATE																							
<p>TRAFFIC BARRIER TERMINAL, TYPE 1 SPECIAL (TANGENT)</p>																								

FILE NAME: L:\LAKECO\12248\12248-0000-Sheet\12248-0001-STANDARD.DWG