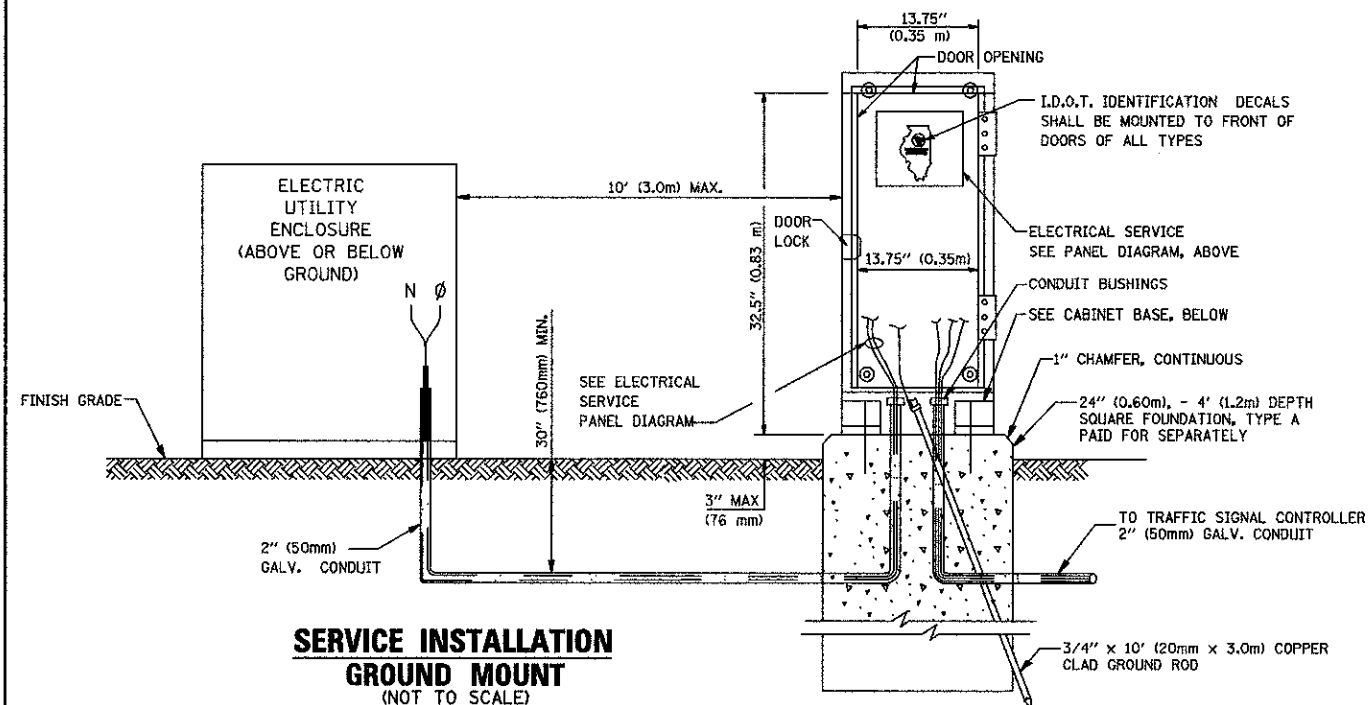


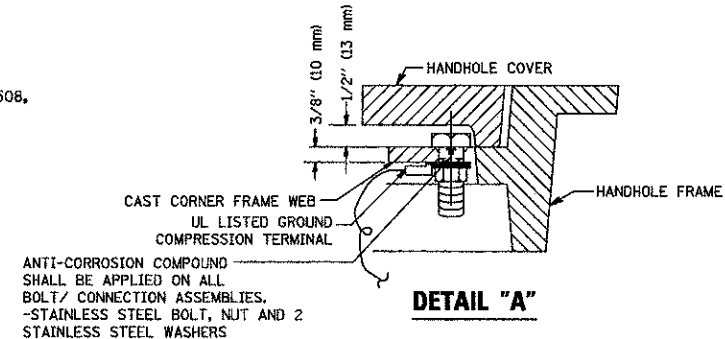
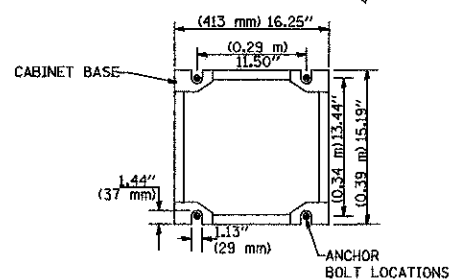
ELECTRICAL SERVICE - PANEL DIAGRAM (TYPICAL FOR POLE AND GROUND MOUNTED SERVICE)

SERVICE INSTALLATION POLE MOUNT (SHOWN)
(NOT TO SCALE)

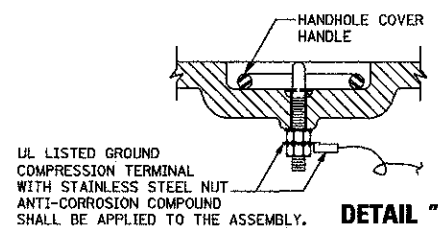


SERVICE INSTALLATION GROUND MOUNT
(NOT TO SCALE)

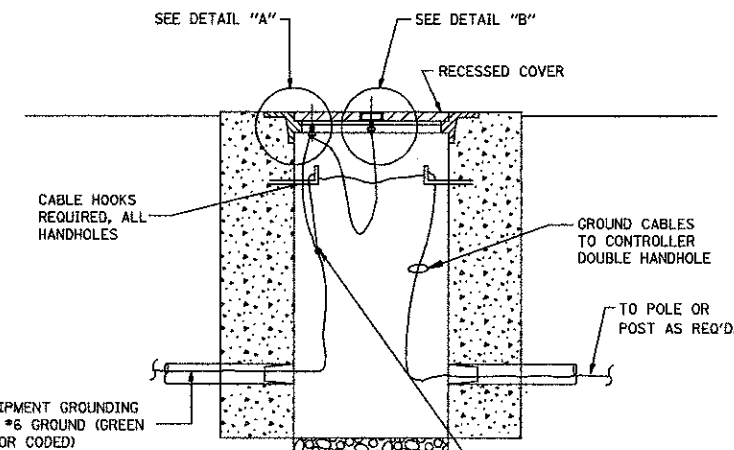
CABINET - BASE BOLT PATTERN
(NOT TO SCALE)



DETAIL "A"

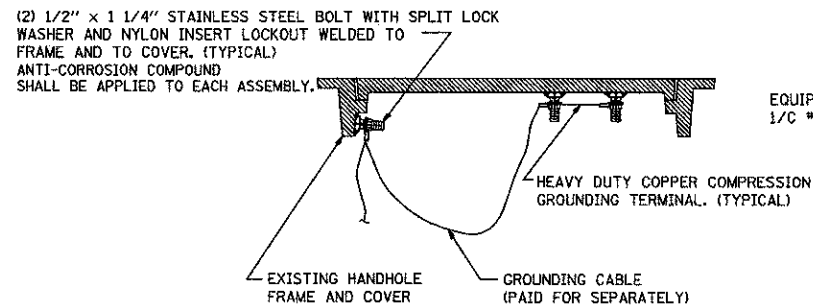


DETAIL "B"



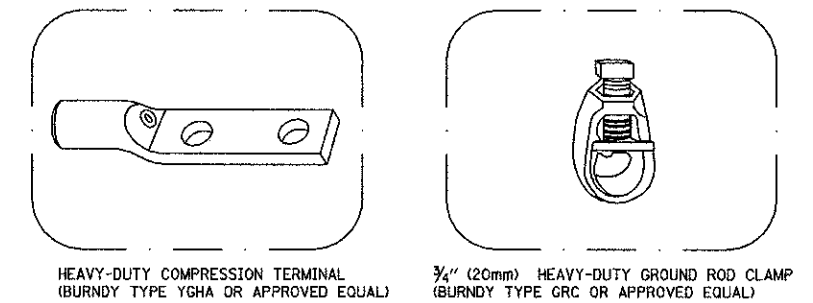
HANDHOLE COVER & FRAME - GROUNDING DETAIL

(NOT TO SCALE)



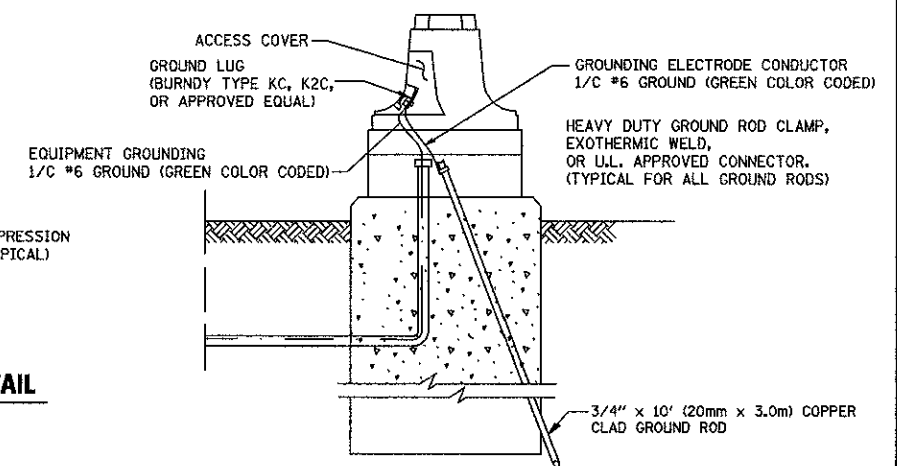
EXISTING HANDHOLE COVER & FRAME - GROUNDING DETAIL

(NOT TO SCALE)



NOTES:

- ALL CLAMPS SHALL BE BRONZE OR COPPER, UL APPROVED.
- GROUND CABLE SHALL BE LOOPED OVER HOOKS IN THE HANDHOLES 6.5' (2.0m) SLACK SHALL BE PROVIDED IN SINGLE HANDHOLES 13' (4.0m) OF SLACK SHALL BE PROVIDED IN DOUBLE HANDHOLES. 5' (1.4m) OF SLACK SHALL BE PROVIDED BETWEEN FRAME AND COVER.



MAST ARM POLE / POST-GROUNDING DETAIL

(NOT TO SCALE)

FILE NAME = 4185.805-TR1.dwg	USER NAME = GHA	DESIGNED - DAD	REVISED -	STATE OF ILLINOIS DEPARTMENT OF TRANSPORTATION	DISTRICT ONE (SHEET 3 OF 6) STANDARD TRAFFIC SIGNAL DESIGN DETAILS			FAU RTE 1285	SECTION 09-00154-00-PV	COUNTY COOK	TOTAL SHEETS 119	SHEET NO. 76
PL07 SCALE = 1" = .0633'	CHECKED - DAD	REVISOR - BCK	REVISIONS -		SCALE NONE	SHEET NO. T21 OF T24 SHEETS	STA. TO STA.	TS-05		CONTRACT # 63746		
PL07 DATE = 10/17/2012	DATE - 10-28-09	REVISOR - DAD	REVISIONS -		GHA #4185.805							
ILLINOIS FED. AID PROJECT												