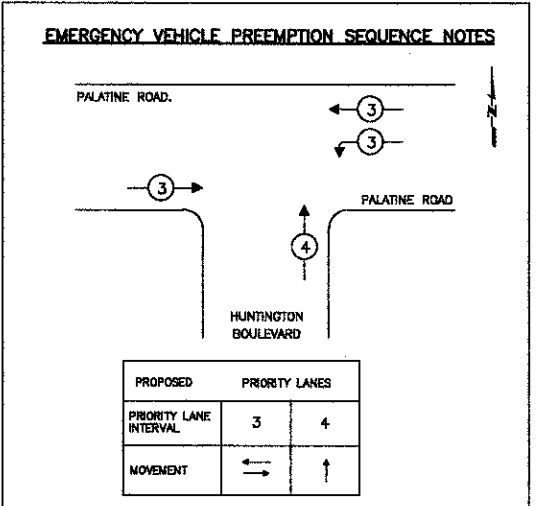
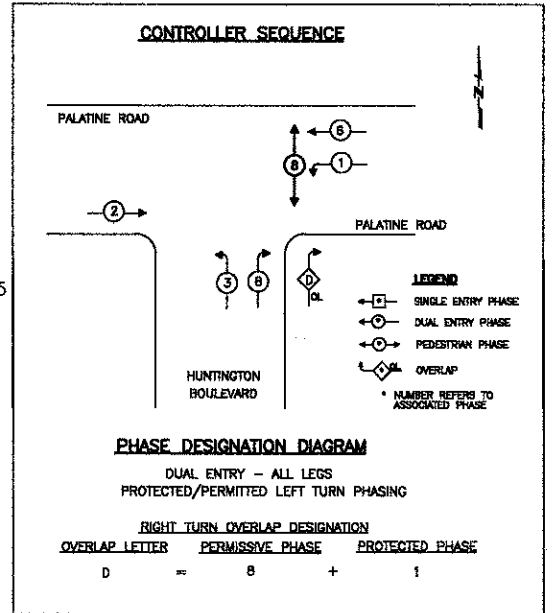
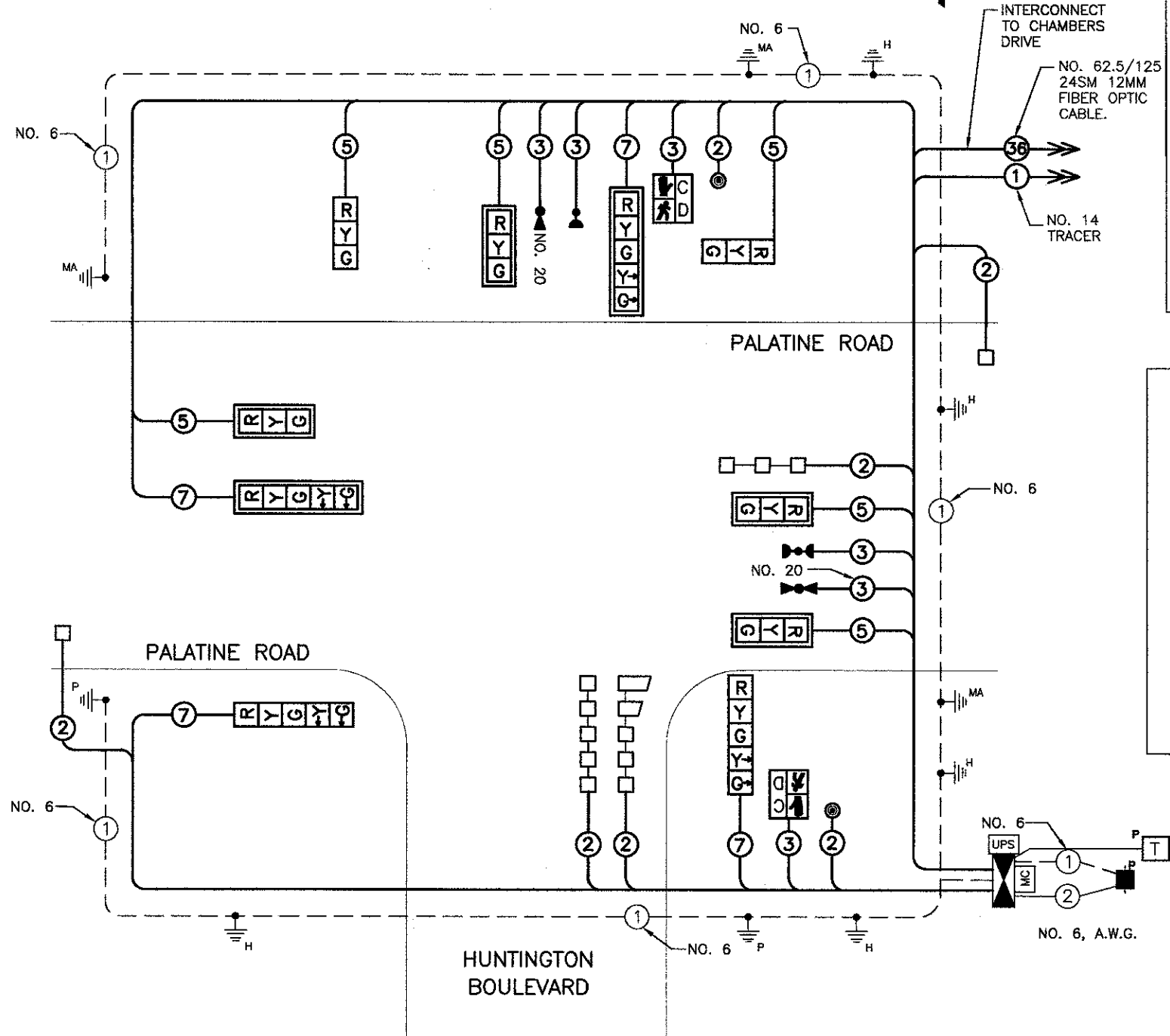


# SCHEDULE OF QUANTITIES

DESCRIPTION	UNIT	QTY
DETECTABLE WARNINGS	SQ FT	40
SERVICE INSTALLATION - POLE MOUNTED	EACH	1
UNDERGROUND CONDUIT, GALVANIZED STEEL, 2" DIA.	FOOT	771
UNDERGROUND CONDUIT, GALVANIZED STEEL, 2 1/2" DIA.	FOOT	53
UNDERGROUND CONDUIT, GALVANIZED STEEL, 3" DIA.	FOOT	106
UNDERGROUND CONDUIT, GALVANIZED STEEL, 4" DIA.	FOOT	197
HANDHOLE	EACH	2
HEAVY-DUTY HANDHOLE	EACH	5
DOUBLE HANDHOLE	EACH	1
FULL-ACTUATED CONTROLLER AND TYPE V CABINET	EACH	1
MASTER CONTROLLER	EACH	1
TRANSCEIVER - FIBER OPTIC	EACH	1
ELECTRIC CABLE IN CONDUIT, SIGNAL NO. 14 2C	FOOT	228
ELECTRIC CABLE IN CONDUIT, SIGNAL NO. 14 3C	FOOT	560
ELECTRIC CABLE IN CONDUIT, SIGNAL NO. 14 5C	FOOT	1116
ELECTRIC CABLE IN CONDUIT, SIGNAL NO. 14 7C	FOOT	679
ELECTRIC CABLE IN CONDUIT, LEAD-IN, NO. 14 1 PAIR	FOOT	1134
ELECTRIC CABLE IN CONDUIT, SERVICE, NO. 6 2 C	FOOT	129
ELECTRIC CABLE IN CONDUIT, EQUIPMENT GROUNDING CONDUCTOR, NO. 6 1C	FOOT	586
TRAFFIC SIGNAL POST, GALVANIZED STEEL 16 FT.	EACH	2
STEEL MAST ARM ASSEMBLY AND POLE, 30 FT.	EACH	1
STEEL MAST ARM ASSEMBLY AND POLE, 38 FT.	EACH	1
STEEL MAST ARM ASSEMBLY AND POLE, 42 FT.	EACH	1
CONCRETE FOUNDATION, TYPE A	FOOT	8
CONCRETE FOUNDATION, TYPE C	FOOT	4
CONCRETE FOUNDATION, TYPE E 36-INCH DIAMETER	FOOT	35
SIGNAL HEAD, LED, 1-FACE, 3-SECTION, MAST-ARM MOUNTED	EACH	4
SIGNAL HEAD, LED, 1-FACE, 3-SECTION, BRACKET MOUNTED	EACH	2
SIGNAL HEAD, LED, 1-FACE, 5-SECTION, BRACKET MOUNTED	EACH	2
SIGNAL HEAD, LED, 1-FACE, 5-SECTION, MAST-ARM MOUNTED	EACH	2
PEDESTRIAN SIGNAL HEAD, LED, 1-FACE, BRACKET MOUNTED WITH COUNTDOWN TIMER	EACH	2
TRAFFIC SIGNAL BACKPLATE, LOUVERED, ALUMINUM	EACH	6
INDUCTIVE LOOP DETECTOR	EACH	5
DETECTOR LOOP, TYPE I	FOOT	710
LIGHT DETECTOR	EACH	3
LIGHT DETECTOR AMPLIFIER	EACH	1
PEDESTRIAN PUSH-BUTTON	EACH	2
EMERGENCY VEHICLE PRIORITY SYSTEM LINE SENSOR CABLE, NO. 20 3/C	FOOT	318
UNINTERRUPTABLE POWER SUPPLY, SPECIAL	EACH	1

**RESTORATION OF WORK AREA**  
 RESTORATION OF THE TRAFFIC SIGNAL WORK AREA SHALL BE INCIDENTAL TO THE RELATED PAY ITEM SUCH AS FOUNDATION, CONDUIT, HANDHOLE, TRENCH AND BACKFILL, ETC., AND NO EXTRA COMPENSATION SHALL BE ALLOWED. ALL ROADWAYS SURFACES SUCH AS SHOULDERS, MEDIANS, SIDEWALKS, PAVEMENT, ETC. SHALL BE REPLACED IN KIND. ALL DAMAGE TO MOWED LAWNS SHALL BE REPLACED WITH AN APPROVED SOD AND ALL DAMAGE TO UNMOWED LAWNS SHALL BE SEEDING IN ACCORDANCE WITH STANDARD SPECIFICATIONS 252 AND 250 RESPECTIVELY.



**CABLE PLAN**  
 NOT TO SCALE

- CONSTRUCTION NOTES:**
- CONTRACTOR TO INSTALL NEW PEDESTRIAN HEAD, LED, 1-FACE WITH COUNTDOWN TIMER AND NEW PEDESTRIAN PUSH-BUTTON, LED (LATCHING TYPE).

I.D.O.T. TRAFFIC SIGNAL INSTALLATION ELECTRICAL SERVICE REQUIREMENTS					
TYPE	NO. LAMPS	WATTAGE		% OPERATION	TOTAL WATTAGE
		INCAND.	LED		
SIGNAL (RED)	10		17	0.50	85.00
(YELLOW)	10		25	0.25	62.50
(GREEN)	10		15	0.25	37.50
ARROW	8		12	0.10	9.60
PED SIGNAL	2		25	1.00	50.00
CONTROLLER	2		100	1.00	200.00
<b>TOTAL =</b>					<b>444.60</b>

ENERGY COSTS TO: ILLINOIS DEPARTMENT OF TRANSPORTATION  
 201 W. CENTER COURT  
 SCHAUMBURG, IL 60196

ENERGY SUPPLY CONTACT: XX  
 PHONE: YY  
 COMPANY: COMMONWEALTH EDISON

PLAN	REVISION	DATE
NO. 1		

PROFILE	REVISION	DATE
NO. 1		