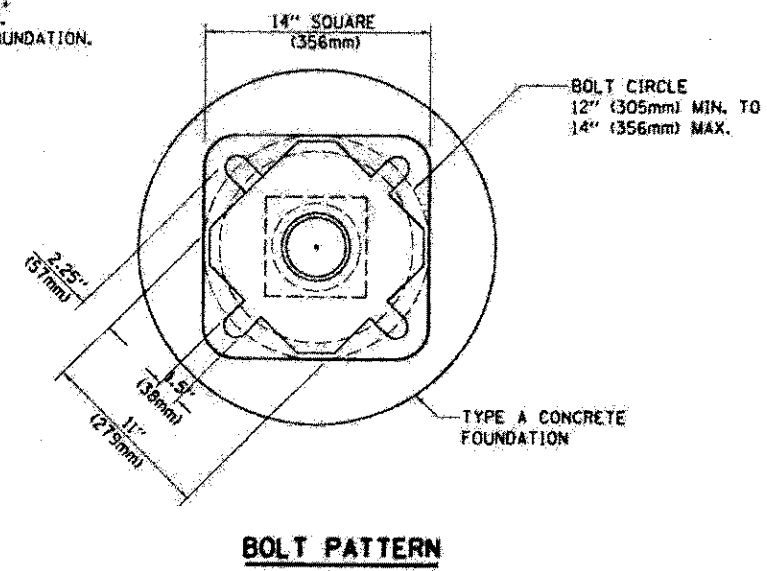


SIGN TABLE

SIGN	DIMENSIONS
R10-3b	9" (228mm) X 12" (305mm)
R10-3d	9" (228mm) X 12" (305mm)
R10-3e	9" (228mm) X 15" (381mm)



BOLT PATTERN

FILE NAME: s:\new_eork\p\do\driv\calogn\081882155.dgn	USER NAME: driv\calogn	DESIGNED: DAG	REVISED:
PLOT SCALE: 1/8" = 1'-0"	CHECKED: DAG	DRAWN: GND	REVISED:
PLOT DATE: 10/3/2012	DATE: 10/1/2012		REVISED:

**STATE OF ILLINOIS
DEPARTMENT OF TRANSPORTATION**

**DISTRICT 1
PEDESTRIAN PUSH BUTTON POST, TYPE A**

SCALE: NONE SHEET NO. 1 OF 1 SHEETS STA. TO STA.

F.A.U. RTE. 1285	SECTION 09-00082-00-CH	COUNTY Cook	TOTAL SHEETS 97	SHEET NO. 86
TS-08			CONTRACT NO. 63749	
FED. ROAD DIST. NO. 1 ILLINOIS FED. AID PROJECT CMM 9003(492)				