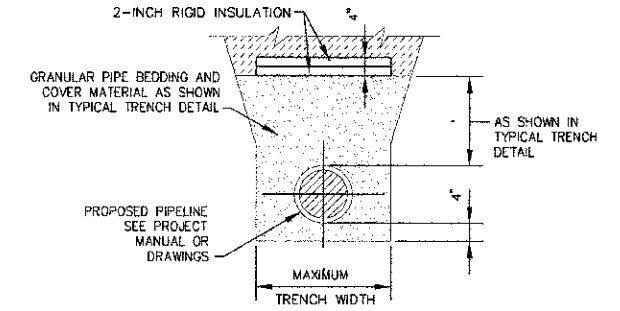


THORN CREEK BASIN SANITARY DISTRICT GENERAL NOTES

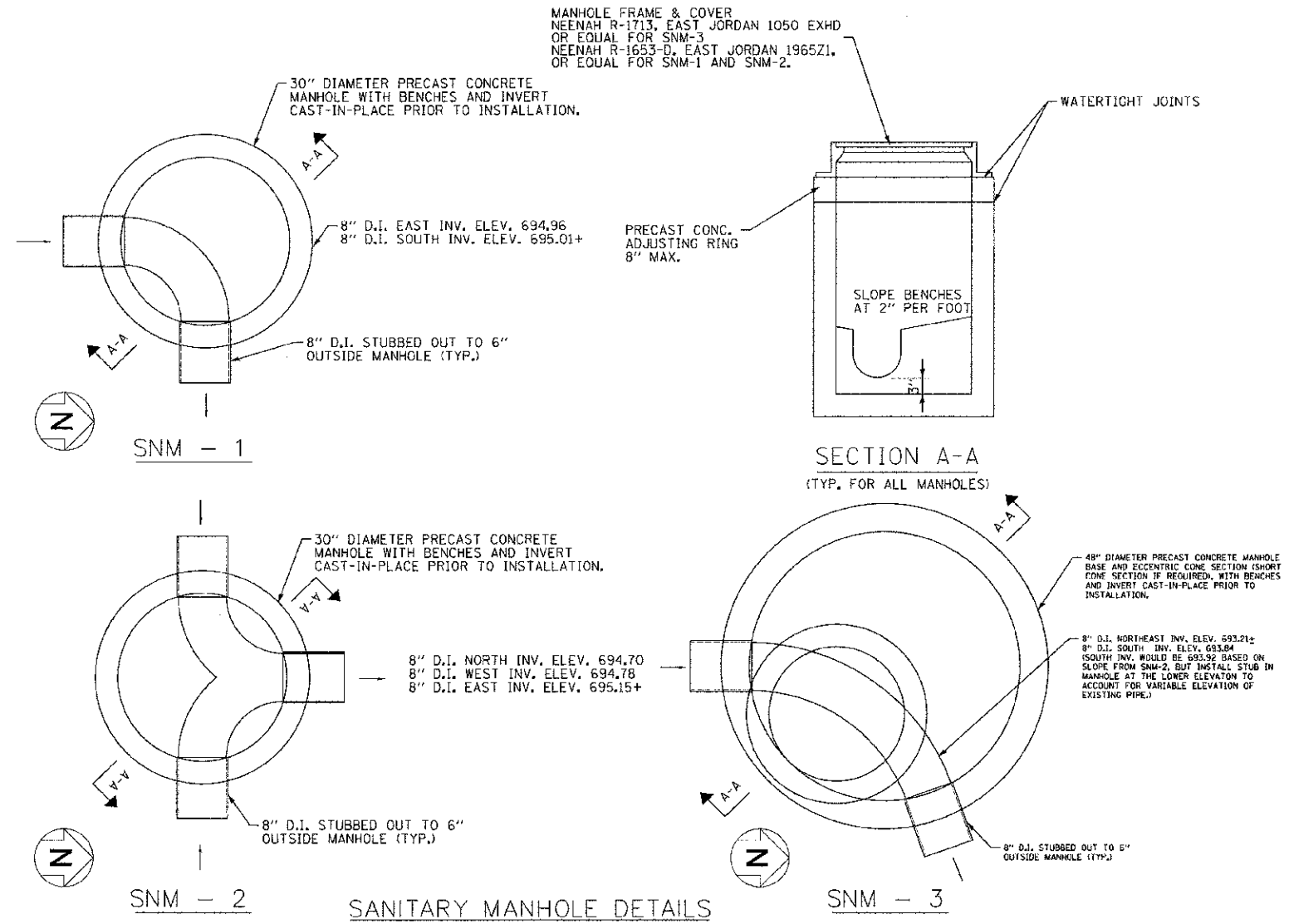
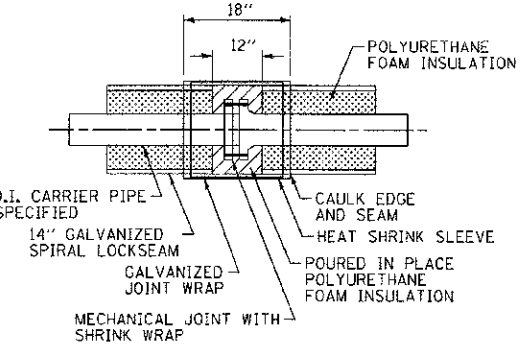
- CONSTRUCTION SHALL BE IN ACCORDANCE WITH THE MOST RECENT EDITIONS OF 1) STANDARD SPECIFICATIONS FOR SEWER AND WATER MAIN CONSTRUCTION IN ILLINOIS AND 2) ILLINOIS EPA PART 370 - RECOMMENDED STANDARDS FOR SEWAGE WORKS.
- THE UNDERGROUND CONTRACTOR SHALL NOTIFY THE DISTRICT 48 HOURS PRIOR TO THE START OF CONSTRUCTION AT (708) 754-0525 X19. RESIDENTIAL SANITARY SEWER CONNECTION PROJECTS THAT DO NOT INCLUDE NEW MANHOLES OR CONNECTIONS TO EXISTING MANHOLES ARE EXEMPT FROM THIS REQUIREMENT.
- CONNECTIONS TO EXISTING MANHOLES SHALL BE MADE BY CORING THE EXISTING MANHOLE WITH A DIAMOND OR CARBIDE TIP CUTTER AND INSTALLING AN A-LOG OR CORE-SEAL BOOT IN THE OPENING.
- ONE SAMPLING MANHOLE SHALL BE PROVIDED FOR EACH COMMERCIAL/INDUSTRIAL BUILDING. NEW MANHOLES SHALL MEET THE DISTRICT'S STANDARD MANHOLE REQUIREMENTS. REFER TO SPECIAL PROVISIONS FOR THORN CREEK BASIN SANITARY DISTRICT MANHOLE DETAIL.
- TESTING
 - NEW MANHOLES SHALL BE VACUUM TESTED PER ASTM C1244-93. PRE-TESTING SHALL BE PERFORMED PRIOR TO SCHEDULING DISTRICT TEST INSPECTION.
 - NEW SANITARY SEWER EXTENSIONS SHALL BE LOW-PRESSURE AIR TESTED AND MANDREL TESTED PER STANDARD SPECIFICATIONS FOR SEWER AND WATER MAIN CONSTRUCTION IN ILLINOIS.
 - DISTRICT PERSONNEL MUST OBSERVE ALL TESTS. TESTS MUST BE SCHEDULED AT LEAST 48 HOURS IN ADVANCE AT (708) 754-0525 X19. A VOICEMAIL MESSAGE LEFT AT THIS NUMBER DOES NOT CONSTITUTE A SCHEDULED APPOINTMENT.
 - RETESTING FAILED ITEMS, AND RETROACTIVE TESTING OF CONSTRUCTION ILLEGALLY PLACED INTO SERVICE, WILL REQUIRE A \$200 FEE PRIOR TO SCHEDULING TESTING.
 - FOR SEWER EXTENSIONS, RECORD DRAWINGS MUST BE PROVIDED TO THE DISTRICT IN ELECTRONIC FORM PRIOR TO SEWER TESTING.



PIPE INSULATION DETAIL
NO SCALE

- HYDROSTATICALLY TEST ALL JOINTS AS REQUIRED.
- SHRINK WRAP THE DUCTILE IRON JOINT.
- PLACE POUR MOLD OVER JOINT. LUBRICATE INSIDE OF FORMING MOLD TO ALLOW REMOVAL OF MOLD AFTER INSULATING THE JOINT.
- POUR TWO PART FOAM MATERIAL INTO HOLE IN THE SLEEVE. TEMPORARILY SEAL HOLE WITH DUCT TAPE TO CONTAIN FOAM. ONCE FOAM HAS REACTED REMOVE TAPE TO ENSURE ENTIRE CAVITY IS FULL OF INSULATION. ADD ADDITIONAL MATERIAL IF NECESSARY.
- AFTER THE MATERIAL HAS REACTED AND COMPLETELY FILLED THE ANNULAR SPACE BETWEEN THE PIPE AND POUR MOLD, TRIM OFF EXCESS MATERIAL, THEN REMOVE POUR MOLD.
- APPLY HEAT SHRINKABLE SLEEVE AND THEN APPLY GALVANIZED WRAP, BANDING AND CAULKING.

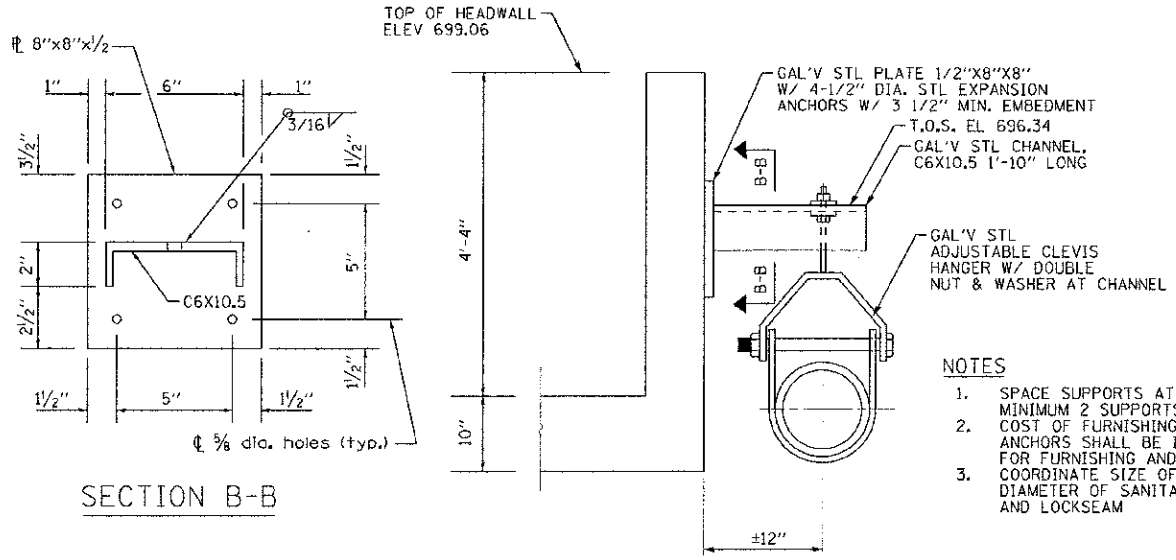
JOINT DETAIL WITH GALVANIZED SPIRAL LOCKSEAM CASING
NO SCALE



SANITARY MANHOLE DETAILS
NO SCALE

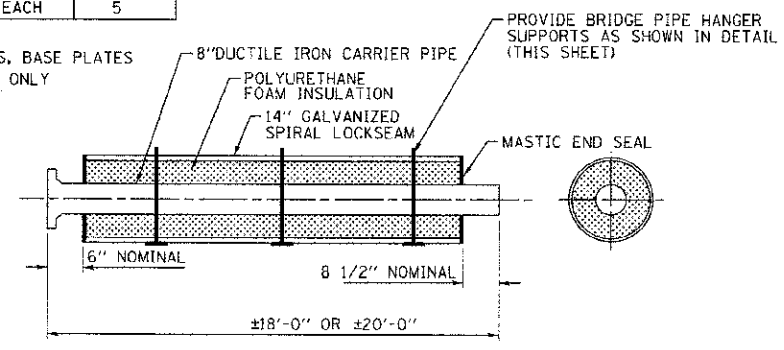
SCHEDULE			
CODE NUMBER	PAY ITEM	UNITS	TOTAL QUANTITY
50500405	FURNISHING AND ERECTING STRUCTURAL STEEL	POUND	152 **
X0325352	PIPE SUPPORT	EACH	5

** INCLUDES ANCHOR BOLTS, BASE PLATES AND CHANNEL SECTIONS ONLY



BRIDGE HANGER/PIPE SUPPORT DETAIL

- NOTES**
- SPACE SUPPORTS AT MAX 9'-0" O.C. WITH MINIMUM 2 SUPPORTS OF PIPE SECTION
 - COST OF FURNISHING AND INSTALLING EXPANSION ANCHORS SHALL BE INCLUDED WITH THE UNIT PRICE FOR FURNISHING AND ERECTING STRUCTURAL STEEL
 - COORDINATE SIZE OF PIPE SUPPORTS WITH OUTSIDE DIAMETER OF SANITARY SEWER PLUS INSULATION AND LOCKSEAM



MECHANICAL JOINT DUCTILE IRON PIPE LENGTH WITH MASTIC TYPE END SEALS
NO SCALE

CONCEPT & PLOT BY: BAXTER & WOODMAN INC. PROJECT NO. 080256-DRAIN DET. SHEET NO. 41 OF 27. DATE: 10/19/2012.



DESIGNED - CAC	REVISED -
DRAWN - BCD	REVISED -
CHECKED - TAO	REVISED -
DATE - 10/12/12	FILE - 080256-DrainDet.snt

**VILLAGE OF PARK FOREST, ILLINOIS
THORN CREEK DRIVE
OVER THORN CREEK**

DETAILS

SCALE: NONE STA. TO STA.

MUN. ST.	SECTION	COUNTY	TOTAL SHEET NO.
1045	08-00093-00-BR	WILL	41 27
FED. ROAD DIST. NO. 1 ILLINOIS FED. AID PROJECT			CONTRACT NO. 63755
			BRW-0003003