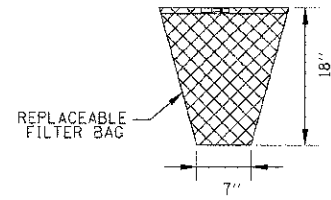
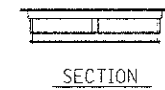
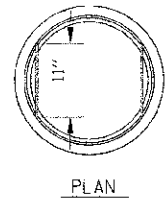
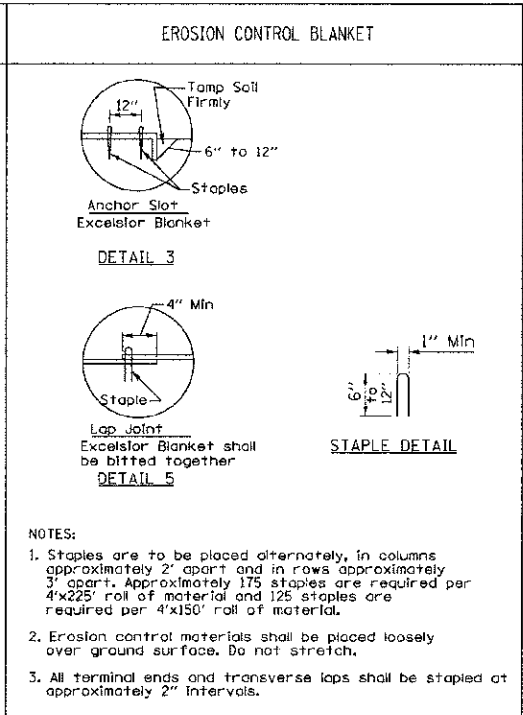
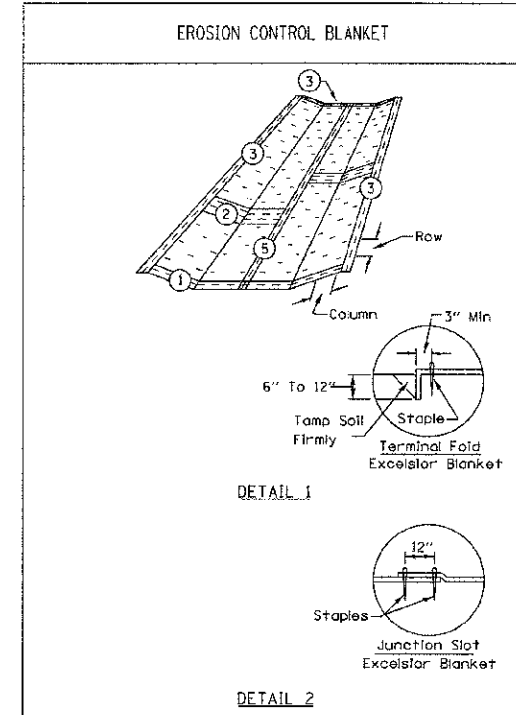


•INSTALL PER IDOT STANDARD 280001-05
DRAINAGE PROTECTION
 NOT TO SCALE

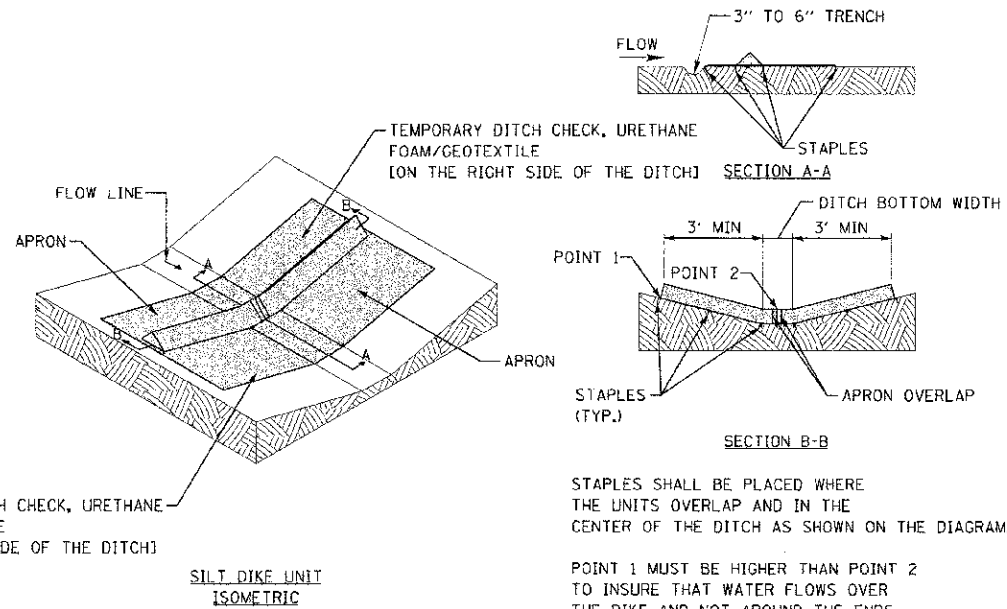


GENERAL NOTES:
 FRAME: TOP RING CONSTRUCTED FROM 1 1/4" x 1 1/4" x 1/8" ANGLE, BASE RING CONSTRUCTED OF 1 1/2" x 1/2" x 1/8" CHANNEL, HANDLES & SUSPENSION BRACKETS CONSTRUCTED FROM 1/4" x 1 1/4" FLAT, ALL STEEL CONFORMING TO ASTM-A36.
 REPLACEABLE BAG: CONSTRUCTED FROM 4 OZ./SQ. YD. NON-WOVEN POLYPROPYLENE GEOTEXTILE REINFORCED WITH POLYESTER MESH, CONNECTED TO BASE RING WITH STAINLESS STEEL STRAP & LOCK.

INLET FILTER
 NO SCALE



NOTES:
 1. Staples are to be placed alternately, in columns approximately 2' apart and in rows approximately 3' apart. Approximately 175 staples are required per 4'x225' roll of material and 125 staples are required per 4'x150' roll of material.
 2. Erosion control materials shall be placed loosely over ground surface. Do not stretch.
 3. All terminal ends and transverse laps shall be stapled at approximately 2' intervals.

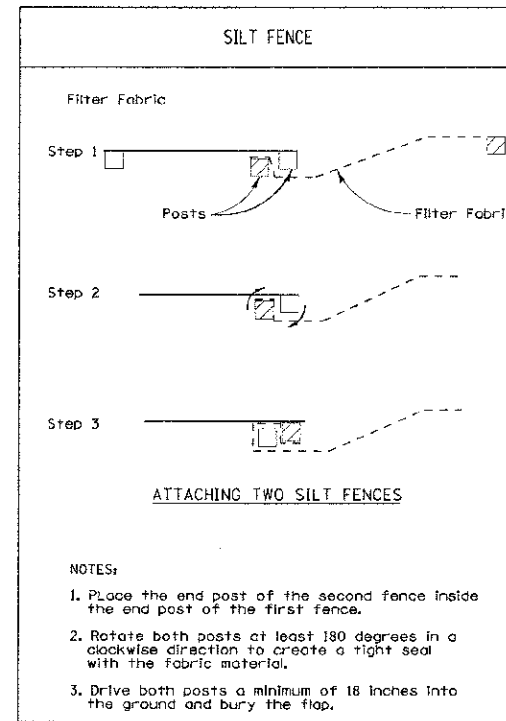


TEMPORARY DITCH CHECK, URETHANE FOAM/GEOTEXTILE [ON THE LEFT SIDE OF THE DITCH]

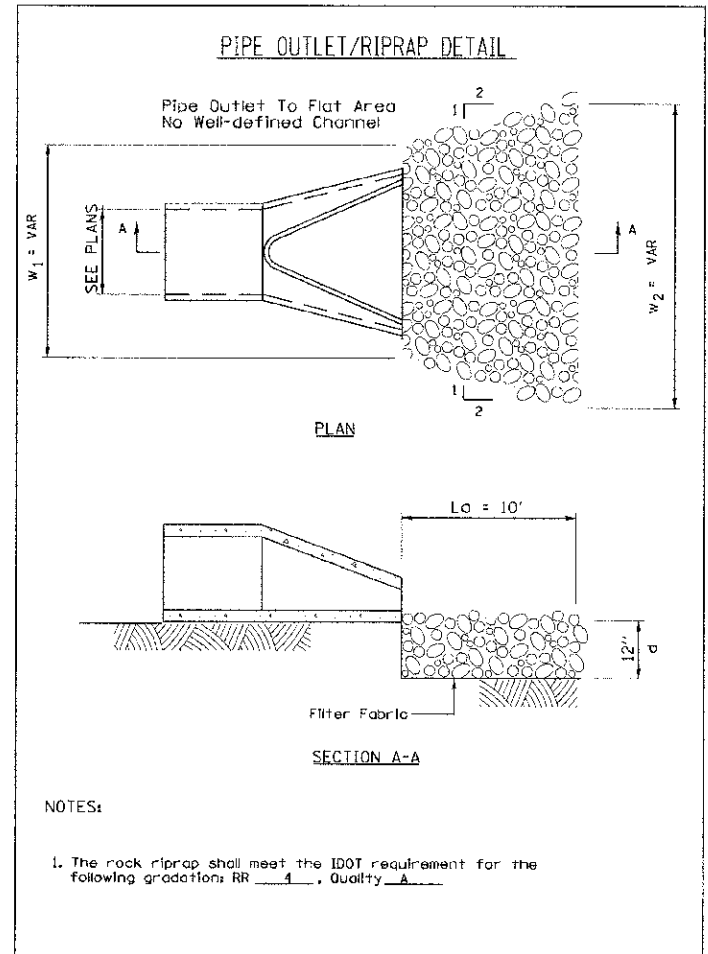
SILT DIKE UNIT ISOMETRIC

NOTES:
 1. THE INSTALLATION SHOWN ABOVE WILL BE MEASURED FOR PAYMENT IN FEET PERPENDICULAR TO THE FLOW LINE.

TEMPORARY DITCH CHECK
 NO SCALE



NOTES:
 1. Place the end post of the second fence inside the end post of the first fence.
 2. Rotate both posts at least 180 degrees in a clockwise direction to create a tight seal with the fabric material.
 3. Drive both posts a minimum of 18 inches into the ground and bury the flap.



NOTES:
 1. The rock riprap shall meet the IDOT requirement for the following gradation: RR 1, Quality A

COPYRIGHT © 2008 BY BAXTER & WOODMAN, INC. ALL RIGHTS RESERVED. THIS DOCUMENT IS THE PROPERTY OF BAXTER & WOODMAN, INC. AND IS NOT TO BE REPRODUCED OR TRANSMITTED IN ANY FORM OR BY ANY MEANS, ELECTRONIC OR MECHANICAL, INCLUDING PHOTOCOPYING, RECORDING, OR BY ANY INFORMATION STORAGE AND RETRIEVAL SYSTEM. WITHOUT THE WRITTEN PERMISSION OF BAXTER & WOODMAN, INC. THIS DOCUMENT IS NOT TO BE USED FOR ANY OTHER PROJECT. DATE: 10/9/2012



DESIGNED - CAC	REVISED -
DRAWN - BCD	REVISED -
CHECKED - TAO	REVISED -
DATE - 10/12/12	FILE - 080286-ErosDet.sht

VILLAGE OF PARK FOREST, ILLINOIS
THORN CREEK DRIVE
OVER THORN CREEK

EROSION CONTROL DETAILS

SCALE: NONE

STA. TO STA.

VILL ST.	SECTION	COUNTY	TOTAL SHEETS	SHEET NO.
1045	08-00093-00-BR	WILL	41	28
CONTRACT NO. 63755				
FED. ROAD DIST. NO. 1 ILLINOIS				
FED. AID PROJECT BRN-90031031				