

NOTE: SIGN DIMENSIONS ARE IN ENGLISH UNITS

- GENERAL NOTES**
- WHERE MAST ARM MOUNTED STREET NAME SIGNS ARE SPECIFIED, THE MAST ARM ASSEMBLY AND POLES SHALL BE DESIGNED TO SUPPORT THE LOADINGS CALLED FOR ON STANDARDS 877001, 877002, 877006, 877011 AND 877012, AS APPLICABLE, PLUS TWO (2) SIGN PANELS 2'-6" x 8'-0" MOUNTED AS SHOWN. THE DESIGN SHALL BE IN ACCORDANCE WITH THE REQUIREMENTS OF THE CURRENT "STANDARD SPECIFICATIONS FOR STRUCTURAL SUPPORTS FOR HIGHWAY SIGNS, LUMINAIRES, AND TRAFFIC SIGNALS" AS PUBLISHED BY THE AMERICAN ASSOCIATION OF STATE HIGHWAY AND TRANSPORTATION OFFICIALS FOR 80 M.P.H. WIND VELOCITY.
 - ALL SIGNS SHALL HAVE A WHITE REFLECTORIZED LEGEND AND BORDER ON A GREEN REFLECTORIZED BACKGROUND, TYPE A SHEETING.
 - THE SIGN LENGTH SHOULD BE INCREASED IN 6-INCH INCREMENTS, BUT THE OVERALL LENGTH SHOULD NOT EXCEED 8'-0".
 - ALL BORDERS SHALL BE 3/4" WIDE AND CORNER RADIUS SHALL BE 2'-1/4".
 - SIGNFIX ALUMINUM CHANNEL FRAMING SYSTEM SHALL BE USED FOR ALL SIGNS ATTACHED TO SIGNAL POLES AND POSTS. LOCAL SUPPLIERS OF THE SIGNFIX ALUMINUM CHANNEL FRAMING SYSTEM ARE:
 - J.O. HERBERT CO. MIDLOTHIAN, VA.
 - WESTERN REMAC INC. WOODRIDGE, IL.

PARTS LISTING:

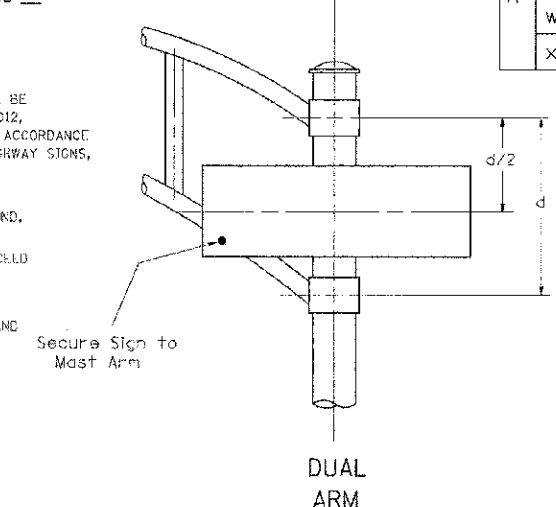
SIGN CHANNEL: PART #PNO53 (HFD. CHANNEL)

SIGN SCREWS: 1/4" x 14 x 1" H.W.R. #3 SELF TAPPING WITH NEOPRENE WASHER

BRACKETS: PART #PNO34 (UNIVERSAL)

CH-ANNEL CLAMPS WITH STAINLESS STEEL STRAPPING

OTHER BRANDS OF MOUNTING HARDWARE ARE ACCEPTABLE, BASED UPON THE DEPARTMENT'S APPROVAL AND COMPATIBILITY WITH THE CHANNEL/BRACKET OF THE ABOVE PRODUCT.



SIGNFIX ALUMINUM CHANNEL FRAMING SYSTEM shall be used. See Note #5.

Upper Case To Lower Case
Spacing Chart 8-6 Inch Series "C & D"

SERIES	SECOND LETTER																
	a c d e		g o q		b h i k l		m n p r u		f w		j		s t		v y		x z
A W X	12	14	14	15	12	14	06	10	11	14	06	10	11	12	12	14	
B	14	15	20	21	14	15	11	12	14	15	12	14	12	14	16	17	
C E G	14	15	20	21	12	14	06	10	12	14	12	14	14	15	14	15	
D O Q R	14	15	20	21	14	15	06	10	12	14	12	14	14	15	14	15	
F	05	06	14	15	06	10	05	06	06	10	06	10	06	10	11	12	
H I M N	20	21	22	24	20	21	14	15	16	17	16	17	20	21	20	21	
J U	20	21	20	21	16	17	14	15	16	17	16	17	16	17	20	21	
K L	11	12	16	17	11	12	05	06	11	12	11	12	11	12	12	14	
P	12	14	14	15	12	14	05	06	11	12	11	12	12	14	12	14	
S	12	14	16	17	12	14	06	10	12	14	12	14	12	14	12	14	
T	11	12	16	17	06	10	06	10	11	12	11	12	11	12	12	14	
V	06	10	14	15	11	12	06	10	12	14	12	14	12	14	12	14	
Y	05	06	14	15	06	10	05	06	05	07	05	06	06	10	11	12	
Z	16	17	22	24	16	17	12	14	16	17	16	17	16	17	20	21	

Lower Case To Lower Case
Spacing Chart 6 Inch Series "C & D"

SERIES	SECOND LETTER																
	a c d e		g o q		b h i k l		m n p r u		f w		j		s t		v y		x z
ad h g l j	16	17	22	24	16	17	12	14	14	15	14	15	16	17	16	17	
im n q u	12	14	16	17	11	12	05	06	11	12	11	12	12	14	12	14	
b f k o p s	12	14	16	17	12	14	06	10	12	14	12	14	12	14	12	14	
c e	12	14	16	17	12	14	06	10	12	14	12	14	12	14	12	14	
r	06	10	12	14	06	10	03	03	05	06	05	06	06	10	06	10	
t z	12	14	16	17	12	14	06	10	11	12	11	12	12	14	12	14	
v y	11	12	14	15	11	12	05	06	06	10	06	10	11	12	11	12	
w	11	12	14	15	11	12	05	06	11	12	11	12	11	12	12	14	
x	12	14	16	17	11	12	05	06	11	12	11	12	11	12	12	14	

Number To Number
Spacing Chart 8 Inch Series "C & D"

SERIES	SECOND NUMBER																			
	0		1		2		3		4		5		6		7		8		9	
0 9	16	17	16	17	14	15	12	14	14	15	14	15	16	17	12	14	16	17	16	17
1	20	21	20	21	20	21	16	17	14	15	20	21	20	21	14	15	20	21	20	21
2 3 4	14	15	14	15	14	15	12	14	12	14	14	15	14	15	11	12	16	17	14	15
5	14	15	14	15	14	15	11	12	11	12	14	15	14	15	11	12	14	15	14	15
6	16	17	14	15	14	15	12	15	12	14	14	15	14	15	11	12	14	15	14	15
7	12	14	12	14	14	15	12	15	05	06	12	14	14	15	11	12	14	15	12	14
8	16	17	16	17	14	15	12	15	12	14	14	15	16	17	12	14	16	17	14	15

EXAMPLE, 2³ DENOTES 3"

UPPER AND LOWER CASE
LETTER WIDTHS

LETTERS	6 INCH UPPER CASE LETTERS		8 INCH UPPER CASE LETTERS		LETTERS	6 INCH LOWER CASE LETTERS	
	SERIES		SERIES			SERIES	
A	3 ⁶	5 ⁰	5 ⁰	6 ⁵	a	3 ⁵	4 ²
B	3 ²	4 ⁰	4 ³	5 ³	b	3 ⁵	4 ²
C	3 ²	4 ⁰	4 ³	5 ³	c	3 ⁵	4 ¹
D	3 ²	4 ⁰	4 ³	5 ³	d	3 ⁵	4 ²
E	3 ⁰	3 ⁵	4 ⁰	4 ⁷	e	3 ⁵	4 ²
F	3 ⁰	3 ⁵	4 ⁰	4 ⁷	f	2 ³	2 ⁶
G	3 ²	4 ⁰	4 ³	5 ³	g	3 ⁵	4 ²
H	3 ²	4 ⁰	4 ³	5 ³	h	3 ⁵	4 ²
I	0 ⁷	0 ⁷	1 ¹	1 ²	i	1 ¹	1 ¹
J	3 ⁰	3 ⁶	4 ⁰	5 ⁰	j	2 ⁰	2 ²
K	3 ²	4 ¹	4 ³	5 ⁴	k	3 ⁵	4 ²
L	3 ⁰	3 ⁵	4 ⁰	4 ⁷	l	1 ¹	1 ¹
M	3 ⁷	4 ⁵	5 ¹	6 ¹	m	6 ⁰	7 ⁰
N	3 ²	4 ⁰	4 ³	5 ³	n	3 ⁵	4 ²
O	3 ⁴	4 ²	4 ⁵	5 ⁵	o	3 ⁶	4 ³
P	3 ²	4 ⁰	4 ³	5 ³	p	3 ⁵	4 ²
Q	3 ⁴	4 ²	4 ⁵	5 ⁵	q	3 ⁵	4 ²
R	3 ²	4 ⁰	4 ³	5 ³	r	2 ⁶	3 ²
S	3 ²	4 ⁰	4 ³	5 ³	s	3 ⁶	4 ²
T	3 ⁰	3 ⁵	4 ⁰	4 ⁷	t	2 ⁷	3 ²
U	3 ²	4 ⁰	4 ³	5 ³	u	3 ⁵	4 ²
V	3 ⁵	4 ⁴	4 ⁷	6 ⁰	v	4 ²	4 ⁷
W	4 ⁴	5 ²	6 ⁰	7 ⁰	w	5 ⁵	6 ⁴
X	3 ⁴	4 ⁰	4 ⁵	5 ³	x	4 ⁴	5 ¹
Y	3 ⁶	5 ⁰	5 ⁰	6 ⁶	y	4 ⁶	5 ³
Z	3 ²	4 ⁰	4 ³	5 ³	z	3 ⁶	4 ³

NUMBER	6 INCH SERIES		8 INCH SERIES	
	C	D	C	D
1	1 ²	1 ⁴	1 ⁵	2 ⁰
2	3 ²	4 ⁰	4 ³	5 ³
3	3 ²	4 ⁰	4 ³	5 ³
4	3 ⁵	4 ³	4 ⁷	5 ⁷
5	3 ²	4 ⁰	4 ³	5 ³
6	3 ²	4 ⁰	4 ³	5 ³
7	3 ²	4 ⁰	4 ³	5 ³
8	3 ²	4 ⁰	4 ³	5 ³
9	3 ²	4 ⁰	4 ³	5 ³
0	3 ⁴	4 ²	4 ⁵	5 ⁵

COPYRIGHT © 2005 BY BRAYTON & WOODMAN, INC.
 LICENSE NO. 184-00188 - EXPIRES 12/31/2010
 FILED IN: 12/19/2002

FILED NAME: \p\work\PM\DDT\BA\ERL\16188316\16188316.dgn	USER NAME: bwoodr	DESIGNED: DAG/BCK	REVISED: DAG 10/28/09
		DRAWN: BCK	REVISED: 12-19-12 ADDENDUM 1
		CHECKED: DAG/DAD	REVISED:
		DATE: 03-15-09	REVISED:

STATE OF ILLINOIS
DEPARTMENT OF TRANSPORTATION

DISTRICT ONE		SECTION		COUNTY		TOTAL SHEETS		SHEET NO.	
MAST ARM MOUNTED STREET NAME SIGNS		05-00160-00-CH		COOK		109		71	
SCALE: NONE		SHEET NO. 1 OF 1 SHEETS		STA.		TO STA.			

F.A.P. RTE. 0348	SECTION 05-00160-00-CH	COUNTY COOK	TOTAL SHEETS 109	SHEET NO. 71
TS-02				CONTRACT NO. 63756
FED. ROAD DIST. NO. 1 (ILLINOIS) FED. AID PROJECT F-0348135				