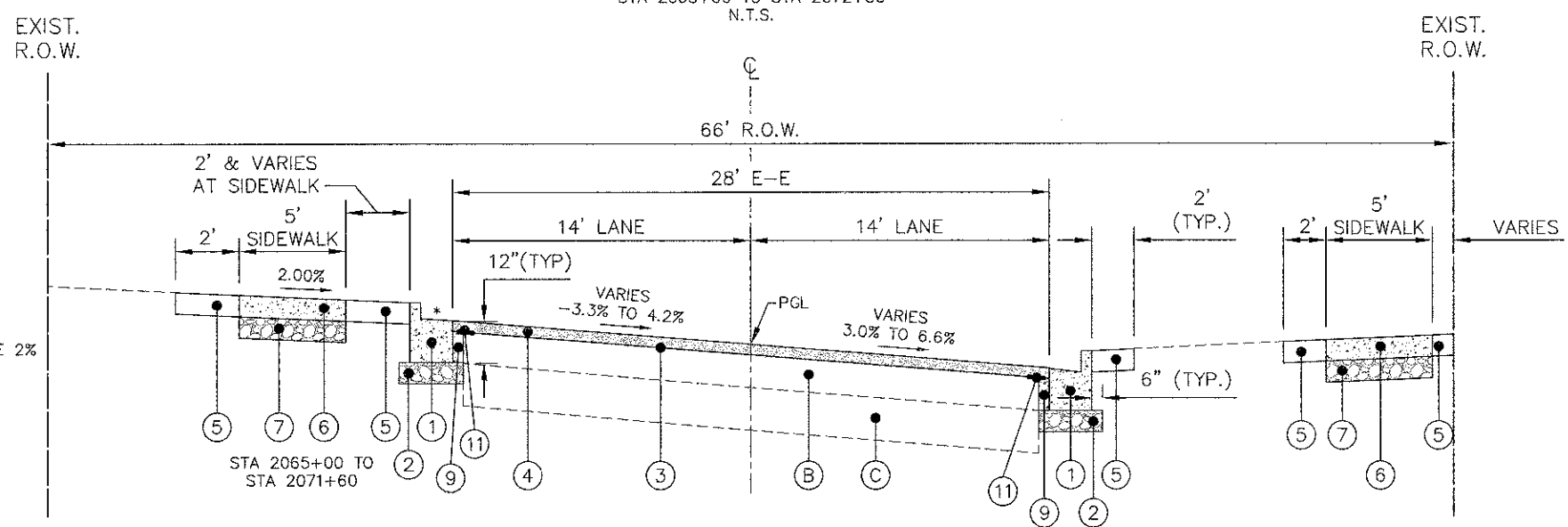


EXISTING TYPICAL SECTION

BATAVIA ROAD
STA 2065+00 TO STA 2072+50
N.T.S.



PROPOSED TYPICAL SECTION

BATAVIA ROAD
STA 2065+00 TO STA 2072+50
N.T.S.

* REVERSE GUTTER SLOPE 2% APPROXIMATELY STA 2065+00 TO STA 2071+00

LEGEND

- (A) EXISTING ASPHALT SURFACE
- (B) EXISTING REINFORCED CONCRETE BASE
- (C) EXISTING AGGREGATE SUBBASE
- (D) EXISTING COMBINATION CONCRETE CURB AND GUTTER, TYPE B-6.18
- (E) EXISTING PORTLAND CEMENT CONCRETE SIDEWALK
- (F) HOT-MIX ASPHALT SURFACE REMOVAL, 2" SPECIAL
- (G) COMBINATION CURB AND GUTTER REMOVAL
- (H) SIDEWALK REMOVAL - SPOT REPAIR / LOCATIONS VARY
- (1) COMBINATION CONCRETE CURB AND GUTTER, TYPE B-6.18 (SPECIAL)
- (2) SUBBASE GRANULAR MATERIAL, TYPE B, 4"
- (3) BITUMINOUS MATERIALS (PRIME COAT) AND AGGREGATE (PRIME COAT)
- (4) HOT-MIX ASPHALT SURFACE COURSE, MIX "D", N70, 2.0"
- (5) TOPSOIL, 4", SEEDING, FERTILIZER, EROSION CONTROL BLANKET
- (6) PORTLAND CEMENT CONCRETE SIDEWALK, 5" (7" AT DRIVEWAYS)
- (7) AGGREGATE BASE COURSE, TYPE B, 2" (INCLUDED IN COST OF SIDEWALK)
- (8) CLASS D PATCH, 4"
- (9) CONCRETE BACKFILL - SEE DETAIL
- (10) HOT-MIX ASPHALT SURFACE COURSE, MIX "D", N50, 2.0"
- (11) STRIP REFLECTIVE CRACK CONTROL TREATMENT

Plotted: October 11, 2012 @ 11:09 AM By: Jim Schmidt - Job: 06 Typ: Section - 22x34
 Copyright © 2012 Engineering Enterprises, Inc.

Engineering Enterprises, Inc.
 CONSULTING ENGINEERS
 52 Wheeler Road
 Sugar Grove, Illinois 60554
 830.466.8700 / www.eeiweb.com

USER NAME =	DESIGNED - SWM/TVW	REVISED -
PLOT SCALE =	DRAWN - KKP/CLN/JPS	REVISED -
PLOT DATE =	CHECKED - JRL	REVISED -
	DATE - 8/24/12	REVISED -

**STATE OF ILLINOIS
DEPARTMENT OF TRANSPORTATION**

EXISTING AND PROPOSED TYPICAL SECTIONS

SCALE: N/A SHEET NO. 3 OF 3 SHEETS STA. N/A TO STA. N/A

F.A.U. RTE.	SECTION	COUNTY	TOTAL SHEETS	SHEET NO.
3553	10-00031-00-RS	DUPAGE	29	6
FED. ROAD DIST. NO. 1 ILLINOIS			CONTRACT NO. 63758	
FED. AID PROJECT - M-90038661				

P:\012\PROJECTS\10-00031\10-00031-00-RS\DWG\ENG\W1003-CR