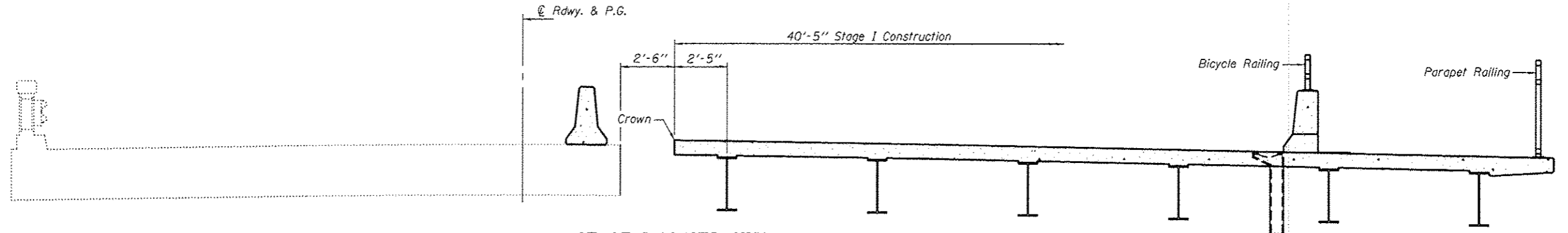
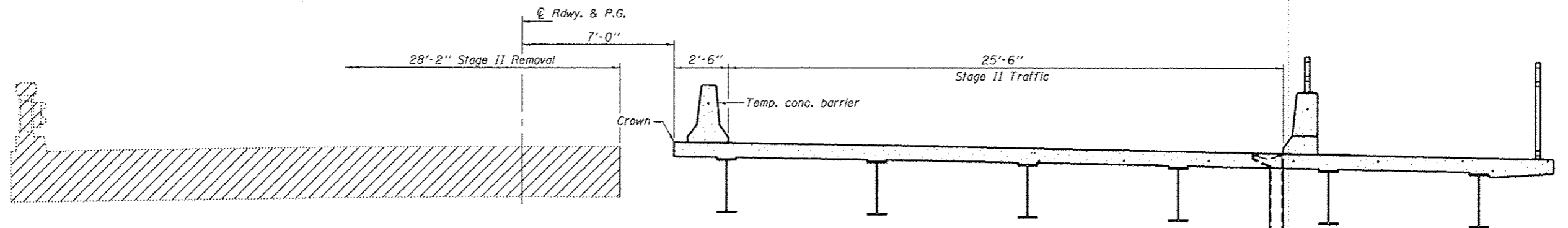


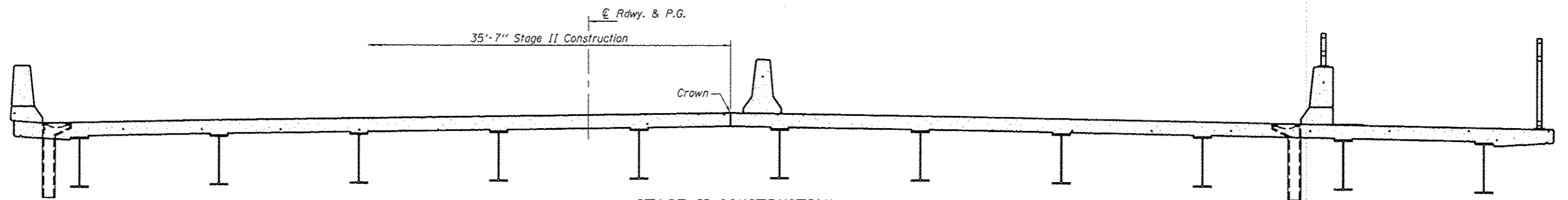
STAGE I REMOVAL



STAGE I CONSTRUCTION



STAGE II REMOVAL



STAGE II CONSTRUCTION

Notes: All sections are looking east.
 Hatched area indicates removal of existing superstructure.
 For quantity of temporary concrete barrier, see Roadway Plans.

REVISED SHEET 1-11-13

For information only.

DESIGNED - STEPHEN M. RYAN	EXAMINED - <i>James F. [Signature]</i>	DATE - NOVEMBER 20, 2012
CHECKED - RAY AHANCHI	PASSED - <i>Carl [Signature]</i>	REVISED -
DRAWN - h.t. duong	ACTING ENGINEER OF BRIDGES AND STRUCTURES	REVISED -
CHECKED - S.M.R. / N.R.B. / C.R.A.		

STATE OF ILLINOIS
 DEPARTMENT OF TRANSPORTATION

STAGE CONSTRUCTION DETAILS
 STRUCTURE NO. 081-0163

SHEET NO. 3 OF 13 SHEETS

F.A.U. RTE.	SECTION	COUNTY	TOTAL SHEETS	SHEET NO.
5789	40 BR-F	ROCK ISLAND	15	5
			CONTRACT NO. 64J44	
ILLINOIS FED. AID PROJECT				