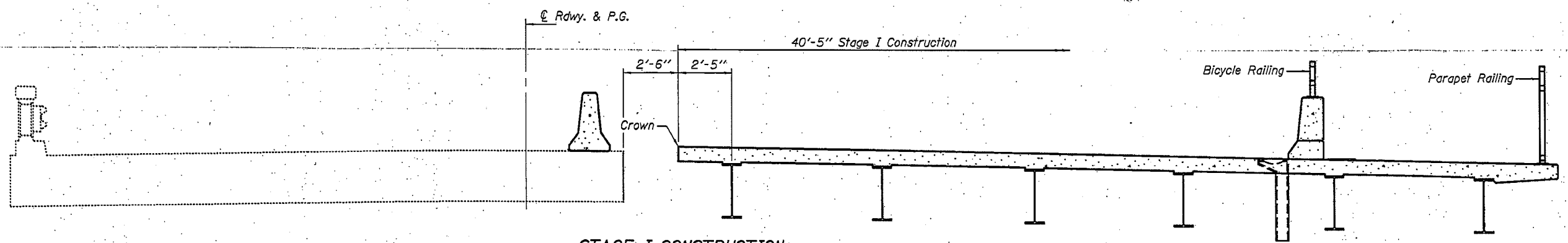
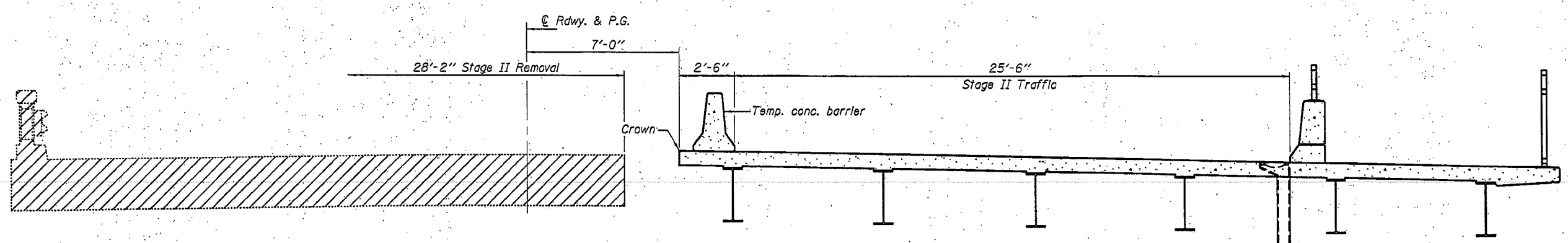


STAGE I REMOVAL

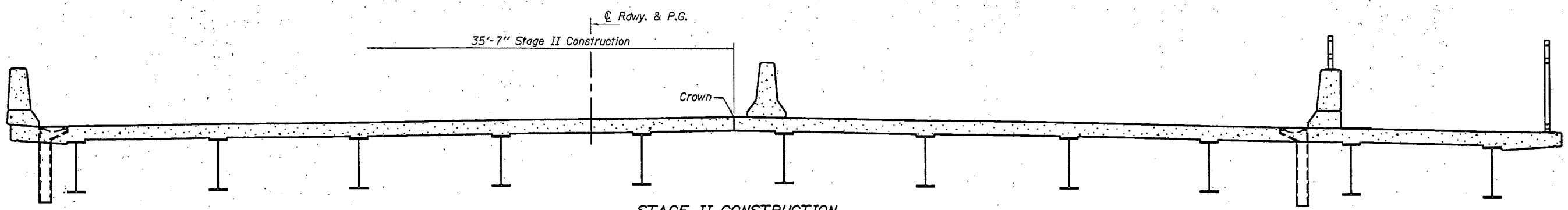
PRE-FINAL



STAGE I CONSTRUCTION



STAGE II REMOVAL



STAGE II CONSTRUCTION

Notes: All sections are looking east.
Hatched area indicates removal of existing superstructure.
For quantity of temporary concrete barrier, see Roadway Plans.

For Information only.

DESIGNED - NICHOLAS R. BARNETT	EXAMINED - <i>Joanne F. [Signature]</i>	DATE - _____	STATE OF ILLINOIS DEPARTMENT OF TRANSPORTATION	STAGE CONSTRUCTION DETAILS STRUCTURE NO. 081-0163	F.A.I. RTE. 5789	SECTION 40 BR-F	COUNTY ROCK ISLAND	TOTAL SHEETS	SHEET NO.
CHECKED - RAY AHANCHI	ACTING ENGINEER OF BRIDGES DESIGN	REVISED _____			CONTRACT NO. 64J44				
DRAWN - h.t. duong	PASSED - <i>Carl [Signature]</i>	REVISED _____			ILLINOIS FED. AID PROJECT				
CHECKED - N.R.B. / G.R.A.	ACTING ENGINEER OF BRIDGES AND STRUCTURES	REVISED _____			SHEET NO. 3 OF 13 SHEETS				