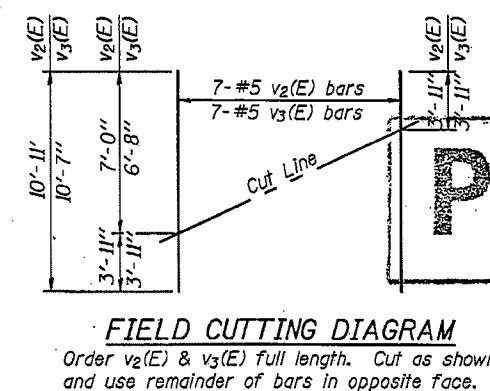
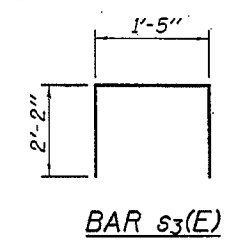
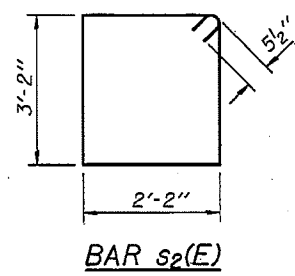
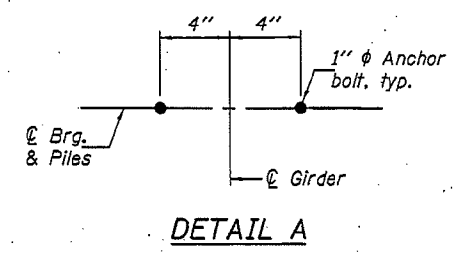


BILL OF MATERIAL

Bar	No.	Size	Length	Shape
h(E)	24	#5	9'-2"	
h1(E)	24	#5	9'-11"	
h2(E)	3	#4	19'-5"	
h3(E)	3	#4	14'-7"	
p(E)	11	#7	40'-1"	
p1(E)	11	#7	35'-3"	
s2(E)	68	#4	11'-7"	□
s3(E)	35	#4	5'-9"	□
u(E)	10	#6	7'-5"	□
v1(E)	148	#5	4'-4"	
v2(E)	7	#5	10'-11"	
v3(E)	7	#5	10'-7"	
Structure Excavation		Cu. Yd.	59.0	
Concrete Structures		Cu. Yd.	29.5	
Reinforcement Bars, Epoxy Coated		Pound	3840	
Furnishing Steel Piles HP10x42		Foot	230	
Driving Piles		Foot	230	
Test Pile Steel HP10x42		Each	1	
Concrete Encasement		Cu. Yd.	3.8	
Anchor Bolts 1"		Each	22	

PILE DATA
 Type: Steel HP10x42
 Nominal Required Bearing: 335 Kips
 Factored Resistance Available: 184 Kips
 Est. Length: 23'
 No. Production Piles: 10
 No. Test Piles: 1



PRE-TRIAL