

CONTRACT NO. 66420				
F.A.P. RTE.	SECTION	COUNTY	TOTAL SHEETS	SHEET NO.
3:1	(3-1)R	KENDALL	514	274
STA.		TO STA.		
FED. ROAD DIST. NO.		ILLINOIS FED. AID PROJECT		

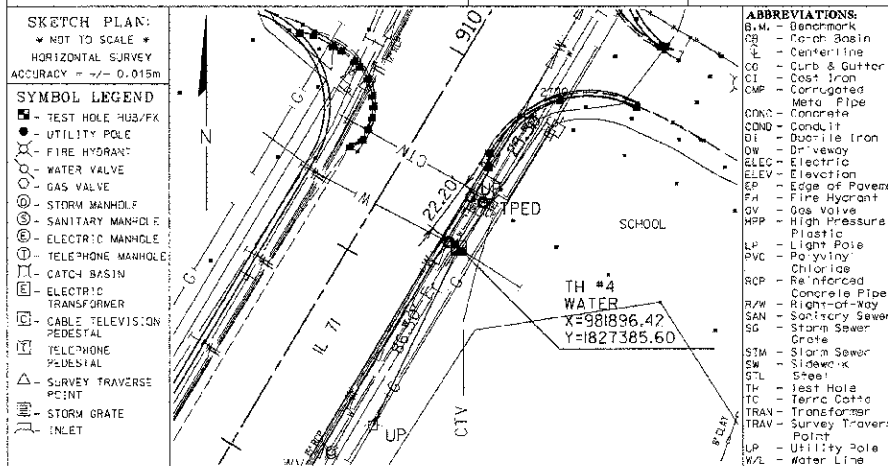
geotrack

UTILITY LOCATION REPORT FOR TEST HOLE 4 IN U.S. SURVEY FEET.

Pavement: N/A in. Asphalt N/A in. Concrete
 Soil: Type CLAY Conditions HARD
 Utility: WATER Size: 10" Material: CL Cond: GOOD
 Was it found? YES At the requested location? YES
 Bench Mark: Name/No. BM#1 Elev. = 65.91
 Bench Mark: Name/No. Elev. =
 As shown on sheet 10 of 10 on the plans dated 11/4/03 and called SUE DESIG. SHTS.

Client: IDOT
 Geotrack Job # 73812
 Contract # 93-048-01
 Project #
 Name: IL 71
 City: OSWEGO
 County: KENDALL
 State: ILLINOIS

Truck # 121
 Crew Chief JC
 Drawn By JC
 Checked By GJL
 Date 9/15/03

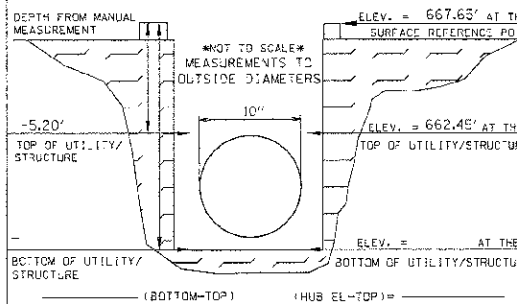


UTILITY OWNER: VILLAGE OF OSWEGO
 REPRESENTATIVE: JERRY WEAVER
 PHONE No: 1-630-554-3242
 FAX No: 1-630-551-4854

TEST HOLE PROFILE LOOKING NORTH WEST

VERTICAL SURVEY ACCURACY = +/- 0.015m
 FLAGGING COLOR BLUE

CERTIFICATION:
 I hereby certify that the information shown herein is correct to the best of my knowledge and belief.



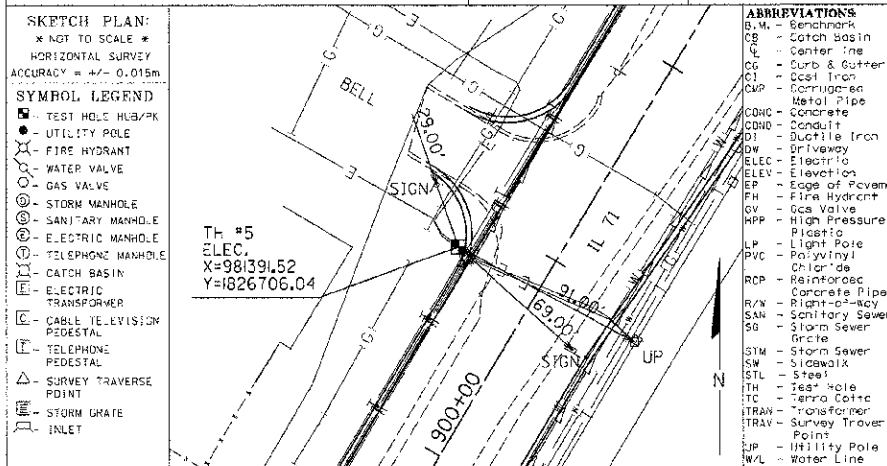
geotrack

UTILITY LOCATION REPORT FOR TEST HOLE 5 IN U.S. SURVEY FEET.

Pavement: N/A in. Asphalt N/A in. Concrete
 Soil: Type CLAY Conditions HARD
 Utility: ELEC Size: 2 1/2" Material: CABLE Cond: GOOD
 Was it found? YES At the requested location? YES
 Bench Mark: Name/No. BM#1 Elev. = 65.91
 Bench Mark: Name/No. Elev. =
 As shown on sheet 9 of 10 on the plans dated 11/4/03 and called SUE DESIG. SHTS.

Client: IDOT
 Geotrack Job # 73812
 Contract # 93-048-01
 Project #
 Name: IL 71
 City: OSWEGO
 County: KENDALL
 State: ILLINOIS

Truck # 121
 Crew Chief JC
 Drawn By JC
 Checked By GJL
 Date 9/16/03

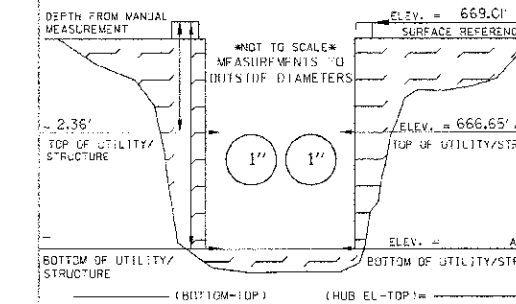


UTILITY OWNER: COM-ED
 REPRESENTATIVE: JERRY KUEMPEL
 PHONE No: 1-630-437-2212
 FAX No:

TEST HOLE PROFILE LOOKING NORTH WEST

VERTICAL SURVEY ACCURACY = +/- 0.015m
 FLAGGING COLOR RED

CERTIFICATION:
 I hereby certify that the information shown herein is correct to the best of my knowledge and belief.



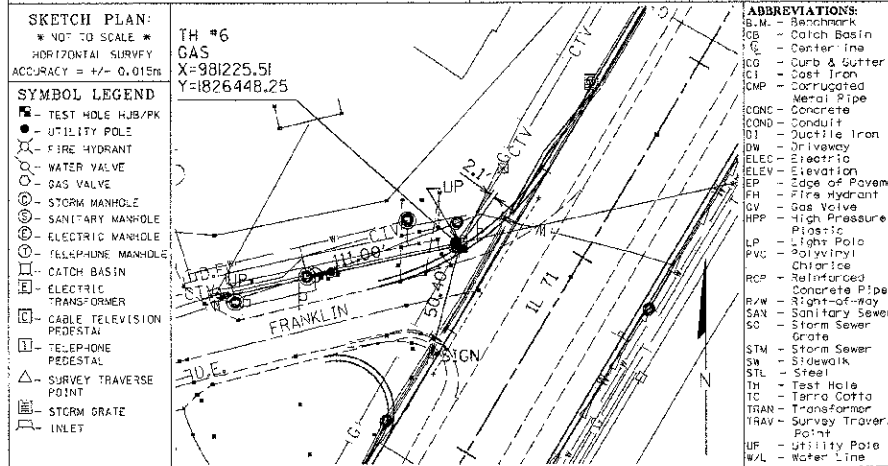
geotrack

UTILITY LOCATION REPORT FOR TEST HOLE 6 IN U.S. SURVEY FEET.

Pavement: N/A in. Asphalt N/A in. Concrete
 Soil: Type CLAY Conditions HARD
 Utility: GAS Size: 8" Material: ST Cond: GOOD
 Was it found? YES At the requested location? YES
 Bench Mark: Name/No. BM#1 Elev. = 65.91
 Bench Mark: Name/No. Elev. =
 As shown on sheet 9 of 10 on the plans dated 11/4/03 and called SUE DESIG. SHTS.

Client: IDOT
 Geotrack Job # 73812
 Contract # 93-048-01
 Project #
 Name: IL 71
 City: OSWEGO
 County: KENDALL
 State: ILLINOIS

Truck # 121
 Crew Chief JC
 Drawn By JC
 Checked By GJL
 Date 9/17/03

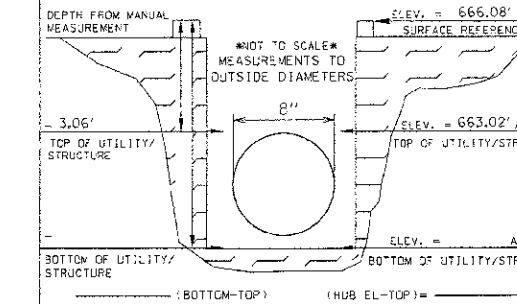


UTILITY OWNER: NICOR GAS
 REPRESENTATIVE: SCOTT STOGSDILL
 PHONE No: 1-630-985-8687 X2362
 FAX No:

TEST HOLE PROFILE LOOKING NORTH EAST

VERTICAL SURVEY ACCURACY = +/- 0.015m
 FLAGGING COLOR YELLOW

CERTIFICATION:
 I hereby certify that the information shown herein is correct to the best of my knowledge and belief.



REVISIONS	
NAME	DATE

ILLINOIS DEPARTMENT OF TRANSPORTATION

S.U.E. TEST HOLE DATA SHEETS

TEST HOLE NOS. 4 - 6

SCALE: VERT. HORIZ.
 DATE 7/5/2012

DRAWN BY SAE
 CHECKED BY MED

I:\05 PROJ\13050414
 PLOT DATE 7/5/2012
 FILE NAME p:\a\13050414\det_dwg\3050414\p\hess\11\TESTHOLE_2.dwg