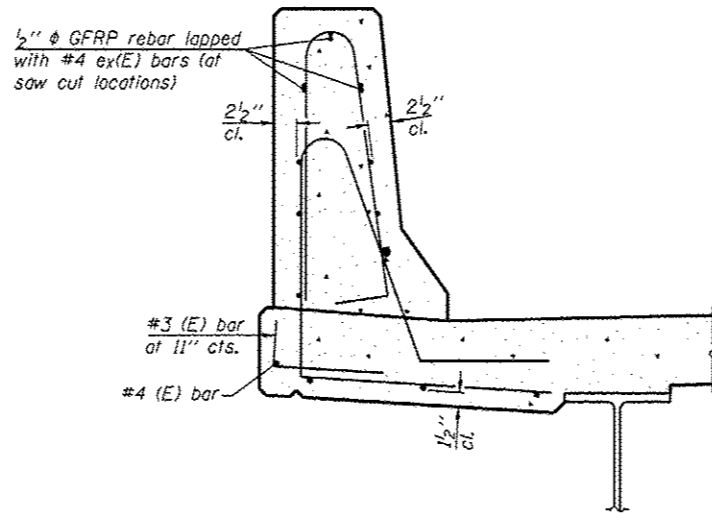


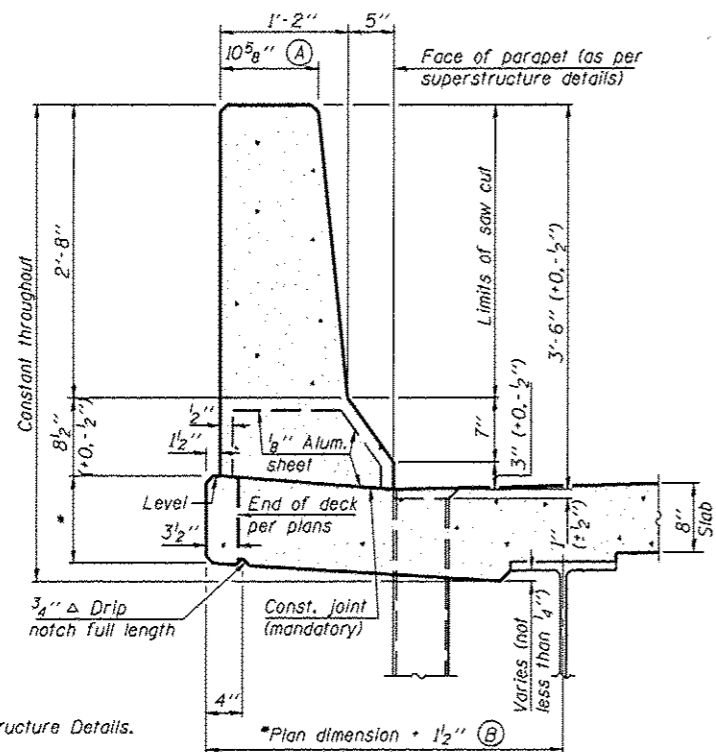
**34" F SHAPE PARAPET SECTION**  
(Showing dimensions)

\*See Superstructure Details.



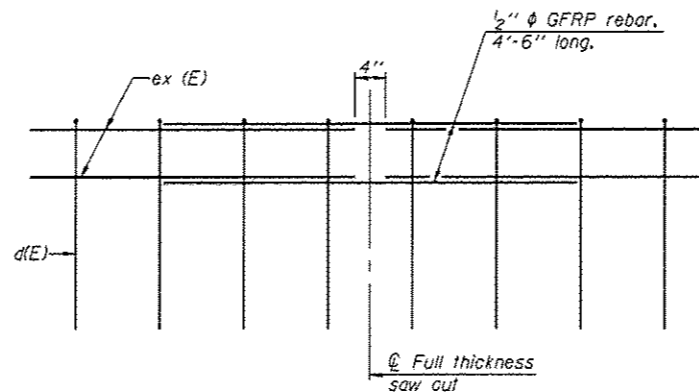
**SECTION**

(34" parapet shown - 42" parapet similar)  
(Showing reinforcement clearances for slip forming and additional reinforcement bars)



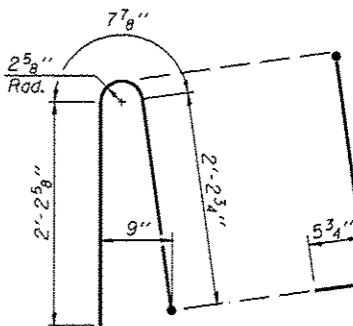
**42" F SHAPE PARAPET SECTION**  
(Showing dimensions)

\*See Superstructure Details.

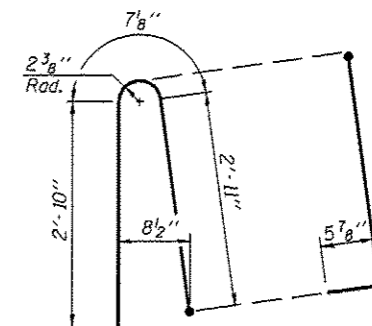


**GFRP REBAR STIFFENING DETAIL**

(Place as shown in parapet section at each parapet joint location.)



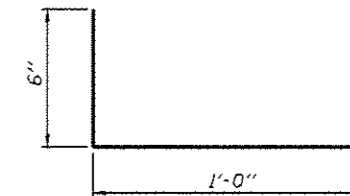
**ALTERNATE BAR d(E)**  
(For 34" parapet when conduit is present)



**ALTERNATE BAR d(E)**  
(For 42" parapet when conduit is present)

**GENERAL NOTES**

All dimensions shall remain the same as shown on superstructure details, except dimensions A and B which are to be revised as shown to provide additional clearance. Additional concrete needed to revise dimension A and B = 0.0165 cu. yds./ft. for 34" parapet or = 0.0223 cu. yds./ft. for 42" parapet. Place aluminum sheet in curb portion at and near piers. Full thickness saw cut at all joint locations in lieu of cork joint filler. Steel superstructure shown. Other superstructure types similar.



**#3 (E) BAR**

SFP 34-42

8-16-12

**▲ SHEET ADDED 1-7-13**

	USER NAME *	DESIGNED - KWB	REVISED - 11-21-12	<b>STATE OF ILLINOIS</b> <b>DEPARTMENT OF TRANSPORTATION</b>	<b>CONCRETE PARAPET SLIPFORMING OPTION</b> <b>STRUCTURE NO. 011-0038</b>	F.A.P. RTE.	SECTION	COUNTY	TOTAL SHEETS	SHEET NO.
	FILE NAME *	CHECKED - MTH	REVISED -			322	11-13	CHRISTIAN	437	184A
	PLOT SCALE *	DRAWN - JMD	REVISED -			CONTRACT NO. 72961				
	PLOT DATE *	CHECKED - MTH	REVISED -			ILLINOIS FED. AID PROJECT				

SHEET NO. 8A OF 24 SHEETS