

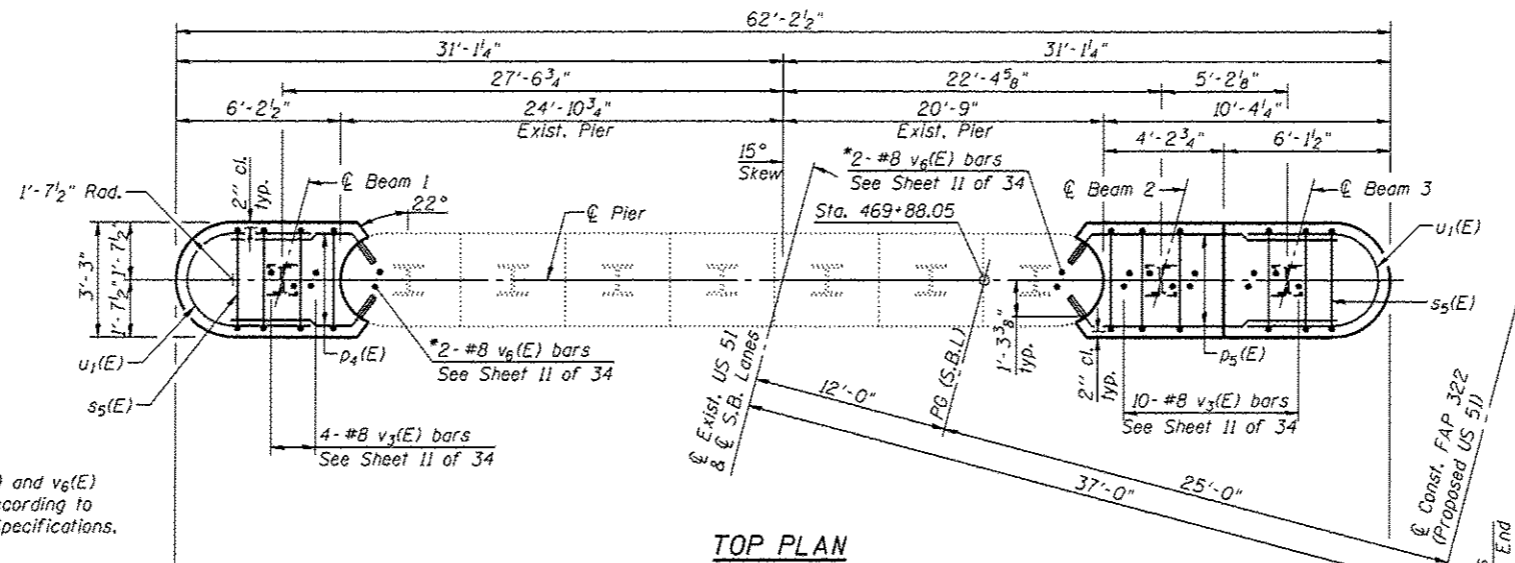
11/21/2012 11:31:47 AM

Notes:  
 Pour steps monolithically with cap.  
 For details of piles, see sheet 27 of 34.

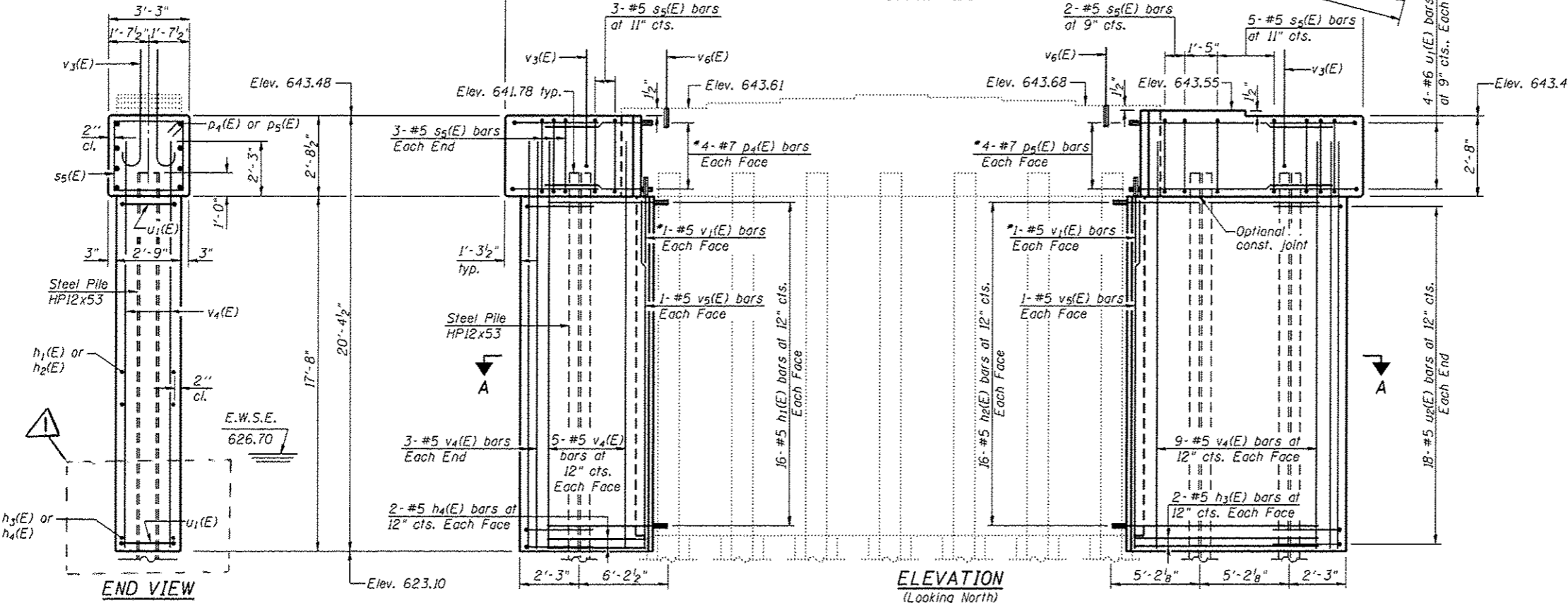
**PILE DATA**

Type: Steel HP 12x53  
 Nominal Required Bearing: 419 Kips/Pile  
 Factored Resistance Available: 209 Kips/Pile  
 Est. Length: 69 Ft./Pile  
 No. Production Piles: 3

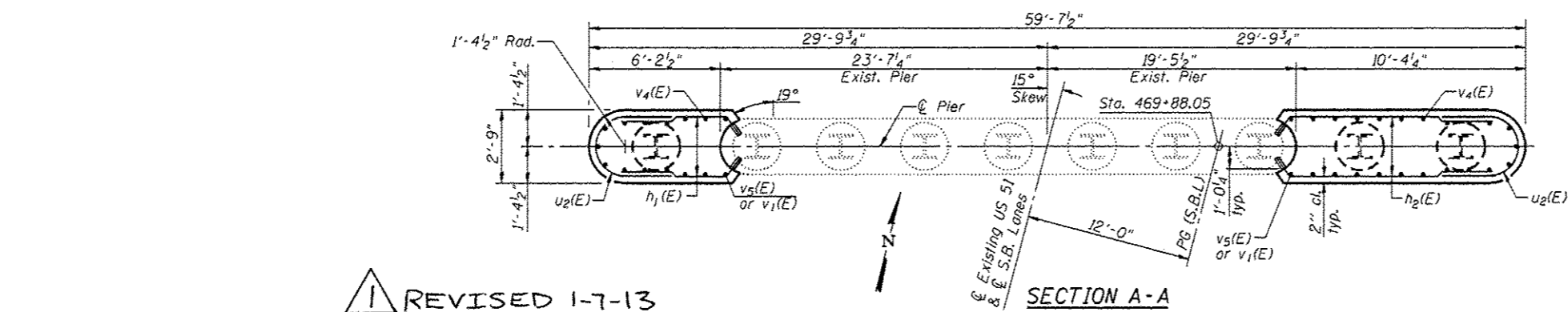
\* Epoxy grout  $p_4(E)$ ,  $p_5(E)$ ,  $v_1(E)$  and  $v_6(E)$  bars in 9" min. drilled holes according to Section 584 of the Standard Specifications.



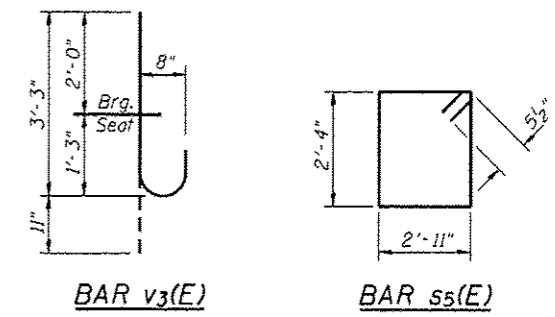
**TOP PLAN**



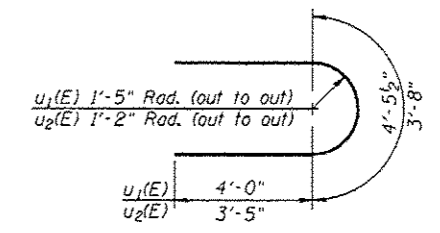
**ELEVATION (Looking North)**



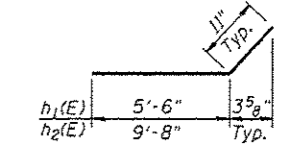
**SECTION A-A**



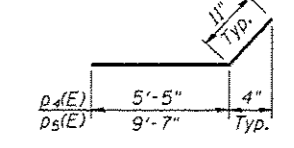
**BAR v3(E) BAR s5(E)**



**BARS u1(E) & u2(E)**



**BARS h1(E) & h2(E)**



**BARS p4(E) & p5(E)**

**BILL OF MATERIAL**

Bar	No.	Size	Length	Shape
$h_1(E)$	32	#5	6'-5"	—
$h_2(E)$	32	#5	10'-7"	—
$h_3(E)$	4	#5	9'-8"	—
$h_4(E)$	4	#5	5'-6"	—
$p_4(E)$	8	#7	6'-4"	—
$p_5(E)$	8	#7	10'-6"	—
$s_5(E)$	16	#5	11'-5"	□
$u_1(E)$	8	#6	12'-6"	U
$u_2(E)$	36	#5	10'-6"	U
$v_1(E)$	4	#5	4'-4"	—
$v_3(E)$	14	#8	4'-2"	—
$v_4(E)$	34	#5	19'-9"	—
$v_5(E)$	4	#5	17'-4"	—
$v_6(E)$	4	#8	2'-9"	—
Cofferdam Excavation		Cu. Yd.	6	
Concrete Structures		Cu. Yd.	35.6	
Reinforcement Bars, Epoxy Coated		Pound	2,620	
Furnishing Steel Piles HP12x53		Foot	207	
Driving Piles		Foot	207	
Cofferdam (Type I) (Location 3)		Each	1	

REVISION 1-7-13

FILE NAME	USER NAME	DESIGNED ADL	REVISED - 11-21-12 RJP	STATE OF ILLINOIS DEPARTMENT OF TRANSPORTATION	PIER #1 STRUCTURE NO. 011-0037 SHEET NO. 24 OF 34 SHEETS	F.A.P. RTE. 322	SECTION 11-10	COUNTY CHRISTIAN	TOTAL SHEETS 437	SHEET NO. 224
	PLOT SCALE	DRAWN RJP	REVISIONS			CONTRACT NO. 72961				
	PLOT DATE	CHECKED ADL	REVISIONS			ILLINOIS FED. AID PROJECT				
	Klingner & Associates P.C.									