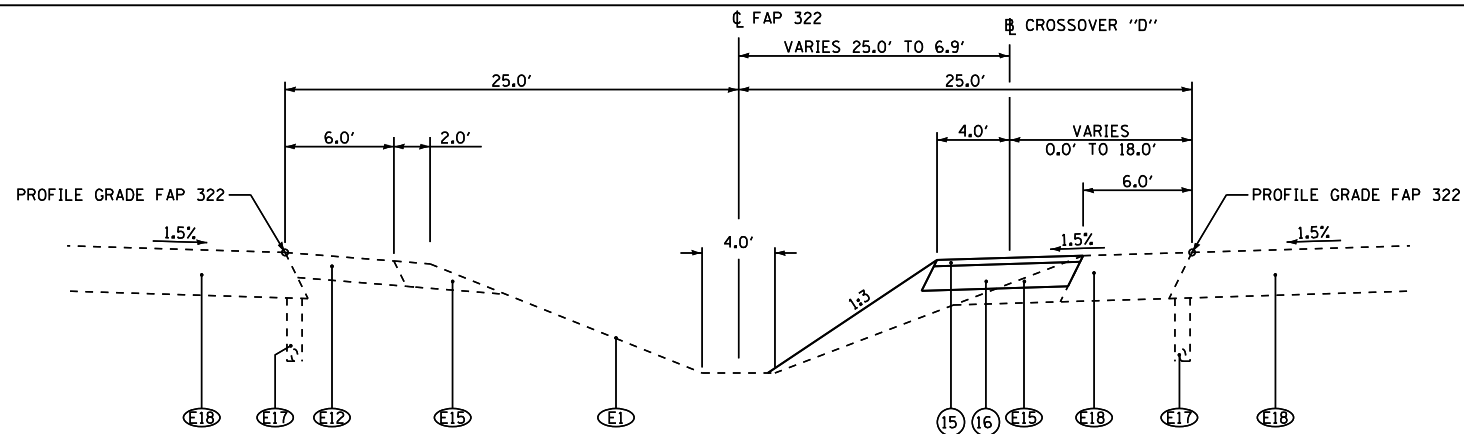
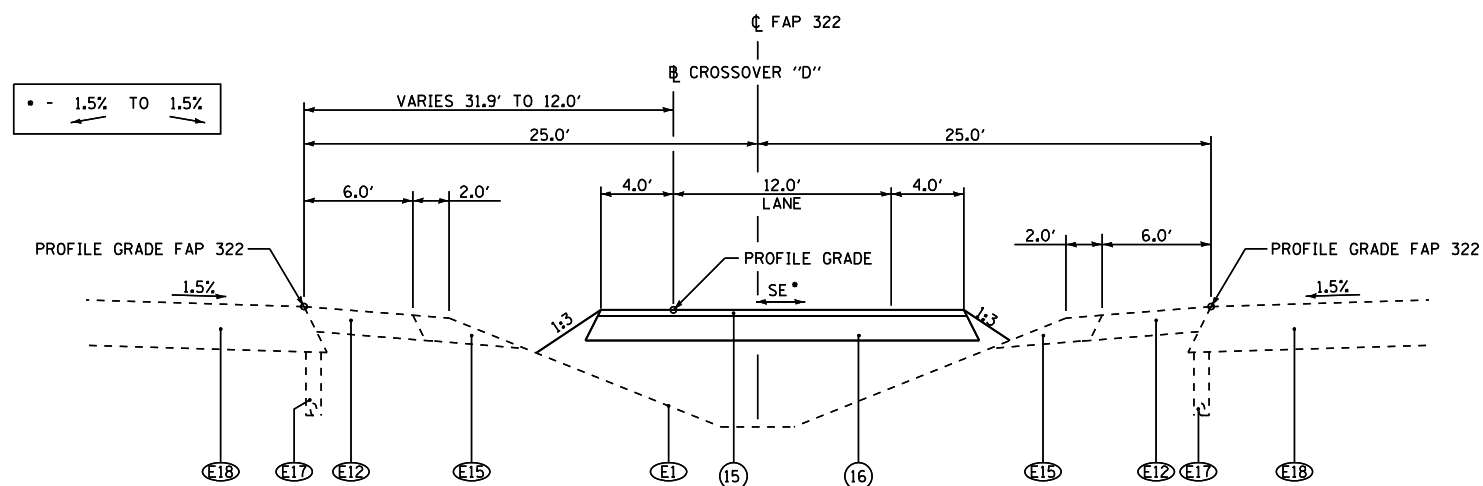


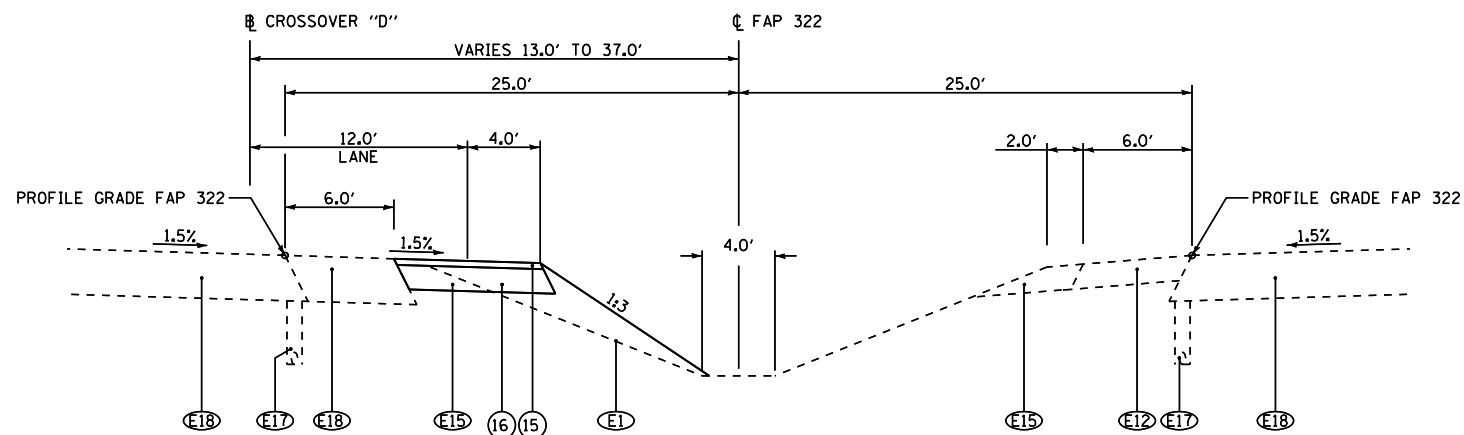
F.A.P. RTE.	SECTION	COUNTY	TOTAL SHEETS	SHEET NO.
322	11-13	CHRISTIAN	437	58
STA.		TO STA.		
FED. ROAD DIST. NO.		ILLINOIS	FED. AID PROJECT	



CROSSOVER "D" TYPICAL SECTION  
STA 80+00.00 TO STA 83+74.51



CROSSOVER "D" TYPICAL SECTION  
STA 83+74.51 TO STA 83+78  
STA 83+78 TO STA 84+62 SE TRANSITION  
STA 84+62 TO STA 85+16.35



CROSSOVER "D" TYPICAL SECTION  
STA 85+16.35 TO STA 88+91.56

- LEGEND**
- (E1) EXISTING GROUND
  - (E2) EXISTING 9"-6"-9" PCC CONCRETE PAVEMENT
  - (E3) EXISTING PCC BASE COURSE, 8"
  - (E4) EXISTING PCC BASE COURSE WIDENING, 9"
  - (E5) EXISTING HOT-MIX ASPHALT BASE COURSE, 10"
  - (E6) EXISTING HOT-MIX ASPHALT BINDER COURSE, 1 1/2"
  - (E7) EXISTING HOT-MIX ASPHALT SURFACING, 1 1/2"
  - (E8) EXISTING HOT-MIX ASPHALT SURFACING, 3"
  - (E9) EXISTING HOT-MIX ASPHALT SURFACING, 3" - 6"
  - (E10) EXISTING HOT-MIX ASPHALT SURFACING, VAR
  - (E11) EXISTING HOT-MIX ASPHALT SHOULDERS, 6"
  - (E12) EXISTING HOT-MIX ASPHALT SHOULDERS, 8"
  - (E13) EXISTING SUB-BASE GRANULAR MATERIAL, 4"
  - (E14) EXISTING LIME MODIFIED SOIL, 12"
  - (E15) EXISTING AGGREGATE SHOULDER, VAR
  - (E16) EXISTING EARTH FILL
  - (E17) EXISTING PIPE UNDERDRAIN
  - (E18) EXISTING FD HOT-MIX ASPHALT PAVEMENT, 13 3/4"
  - (R1) REMOVE EXISTING HMA SHOULDERS
  - (R2) REMOVE EXISTING HMA PAVEMENT, 13 3/4" AND HMA SHOULDERS, 8"
  - (R3) REMOVE EXISTING PAVEMENT, SHOULDERS, AND WIDENING
  - (1) HOT-MIX ASPHALT PAVEMENT (FULL-DEPTH), 13 3/4"  
[SEE MIXTURE REQUIREMENTS AND PAVING LIFT DIAGRAMS ON SHEET 3 FOR THE PAVEMENT COMPOSITION]
  - (2) HOT-MIX ASPHALT PAVEMENT (FULL-DEPTH), 9 1/4"  
[SEE MIXTURE REQUIREMENTS AND PAVING LIFT DIAGRAMS ON SHEET 3 FOR THE PAVEMENT COMPOSITION]
  - (3a) HOT-MIX ASPHALT SHOULDERS 8"
  - (3) HOT-MIX ASPHALT SHOULDERS 8" (WITH RUMBLE STRIPS, STD 642001)
  - (4) AGGREGATE SHOULDERS, TYPE B
  - (5) SUB-BASE GRANULAR MATERIAL, TYPE C
  - (6) PROCESSING MODIFIED SOIL 12" (LIME)
  - (7) TOPSOIL, 4"
  - (8) PIPE UNDERDRAINS, 4" (STD 601001)
  - (9) AGGREGATE BASE COURSE, TYPE A, 10"
  - (10) BITUMINOUS SURFACE TREATMENT CLASS A-3
  - (11) POLYMERIZED HOT-MIX ASPHALT SURFACE COURSE, MIX "D", N70, 2"
  - (12) HOT-MIX ASPHALT BASE COURSE, 10" (ANY WIDTH)
  - (13) HOT-MIX ASPHALT BASE COURSE, 9 1/2" (ANY WIDTH)
  - (14) HOT-MIX ASPHALT SURFACE REMOVAL, 2"
  - (15) HOT-MIX ASPHALT SURFACE COURSE, MIX "C", N70, 2"
  - (16) HOT-MIX ASPHALT BASE COURSE, 8 1/2" (ANY WIDTH)
  - (17) SUBBASE GRANULAR MATERIAL, TYPE A 8"
  - (18) POLYMERIZED HOT-MIX ASPHALT SURFACE COURSE, MIX "C", N70, 2 1/4"
  - (19) LEVELING BINDER (MACHINE METHOD), N70, VARIABLE DEPTH (2 1/4" MAX)
  - (19) HOT-MIX ASPHALT BINDER COURSE, IL-19.0, N70, VARIABLE DEPTH (2 1/4" MIN)
  - (20) SUBBASE GRANULAR MATERIAL, TYPE A 12"
  - (A) SHOULDER SLOPE - HIGH SIDE OF SE; WHEN THE SE RATE OF THE PAVEMENT IS BETWEEN 0 AND 4% THE SHOULDER SHALL BE SLOPED AT 4%. WHEN THE SE RATE OF THE PAVEMENT EXCEEDS 4% THE SHOULDER SHALL BE SLOPED SO THAT THE ALGEBRAIC DIFFERENCE BETWEEN THE PAVEMENT AND SHOULDER SHALL BE 8%.
  - (B) SHOULDER SLOPE - LOW SIDE OF SE; SLOPE SHALL BE THE SAME AS THE SE BUT NOT LESS THAN 4%.
  - (C) TURN LANE SLOPE - HIGH SIDE OF SE; WHEN THE SE RATE OF THE PAVEMENT IS BETWEEN 0 AND 2% THE TURN LANE SHALL BE SLOPED AT 2%. WHEN THE SE RATE OF THE PAVEMENT EXCEEDS 2% THE TURN LANE SHALL BE SLOPED SO THAT THE ALGEBRAIC DIFFERENCE BETWEEN THE PAVEMENT AND TURN LANE SHALL BE 4%.
  - (D) TURN LANE SLOPE - LOW SIDE OF SE; SLOPE SHALL BE THE SAME AS THE SE BUT NOT LESS THAN 2%.

NOT TO SCALE

REVISIONS	
NAME	DATE

ILLINOIS DEPARTMENT OF TRANSPORTATION  
TYPICAL SECTIONS  
SHEET 12 OF 12  
FAP 322 (US 51)  
SECTION 11-13  
CHRISTIAN COUNTY

SCALE: NONE  
DATE: 7/31/12

DRAWN BY: SEB  
CHECKED BY:

10/5/2012

D:\01Files\010321\01 SOUTH PLANS NEW\ROAD Sheets\06\2961-sh-typical sections.dgn