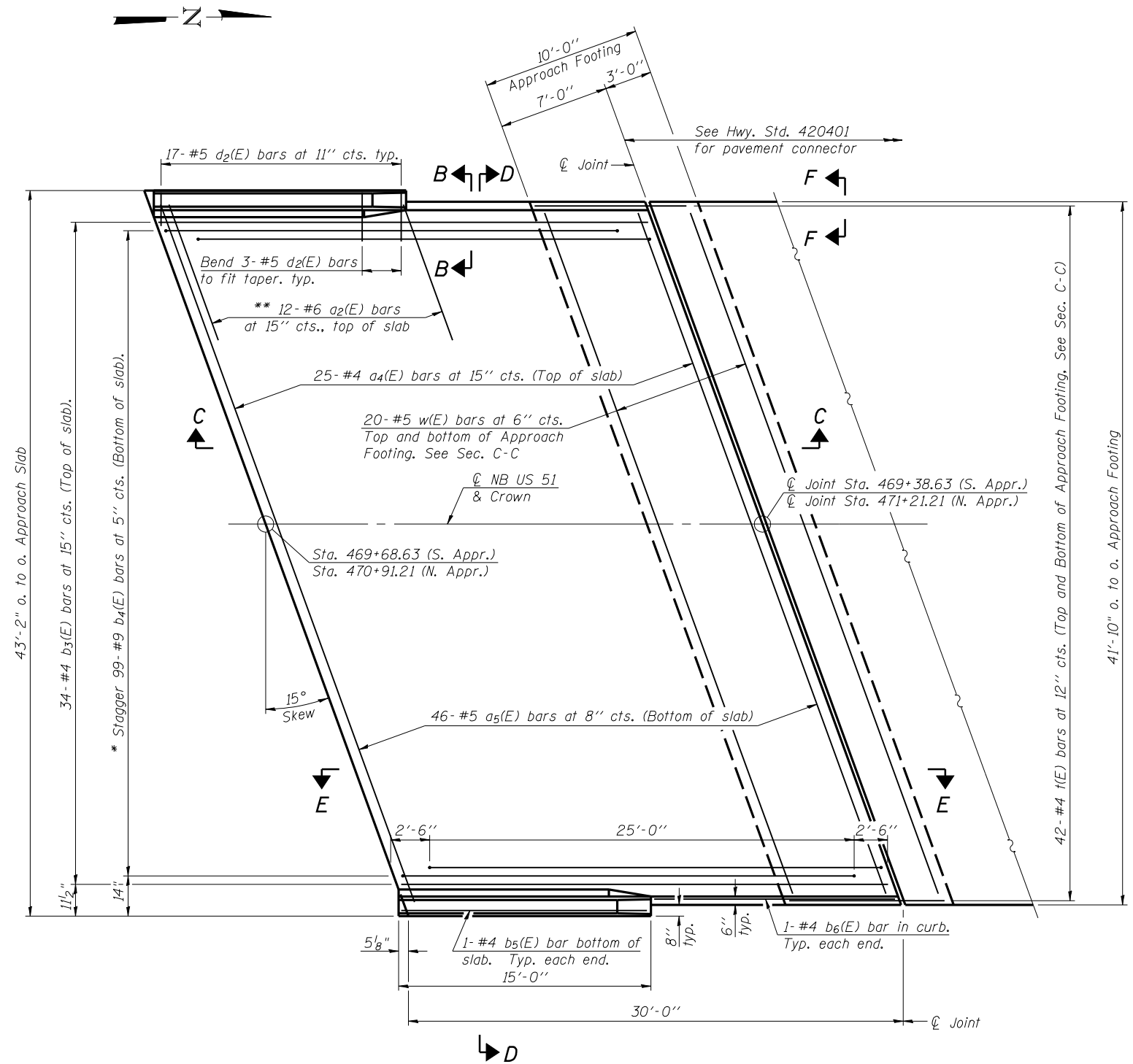


Notes:
See sheet 11 of 24 for Sections C-C & D-D and View E-E.
a₄(E) and a₅(E) bar spacings measured along \varnothing Rdwy.

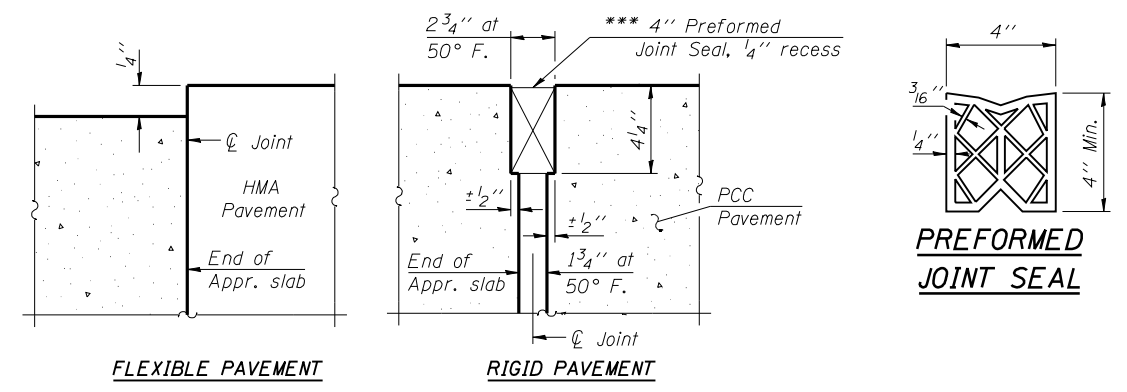
*** Cost included with Concrete Superstructure.



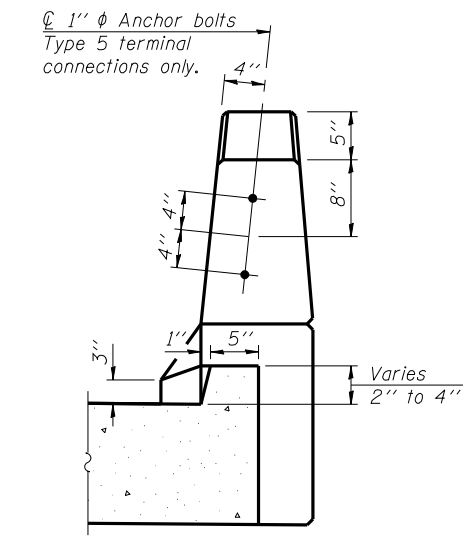
PLAN

(North Approach shown, South Approach similar)

* Tilt #9 b₄(E) bars as required to maintain clearance.
** Space between a₄(E) bars, typ. each parapet.



DETAIL A



VIEW B-B

(Sheet 1 of 2)



USER NAME =	DESIGNED - KMB	REVISED -
FILE NAME =	CHECKED - MTH	REVISED -
PLOT SCALE =	DRAWN - JMD	REVISED -
PLOT DATE =	CHECKED - MTH	REVISED -

**STATE OF ILLINOIS
DEPARTMENT OF TRANSPORTATION**

**BRIDGE APPROACH SLAB DETAILS
STRUCTURE NO. 011-0038**

SHEET NO. 10 OF 24 SHEETS

F.A.P. RTE.	SECTION	COUNTY	TOTAL SHEETS	SHEET NO.
322	11-13	CHRISTIAN	437	186
			CONTRACT NO. 72961	

ILLINOIS FED. AID PROJECT