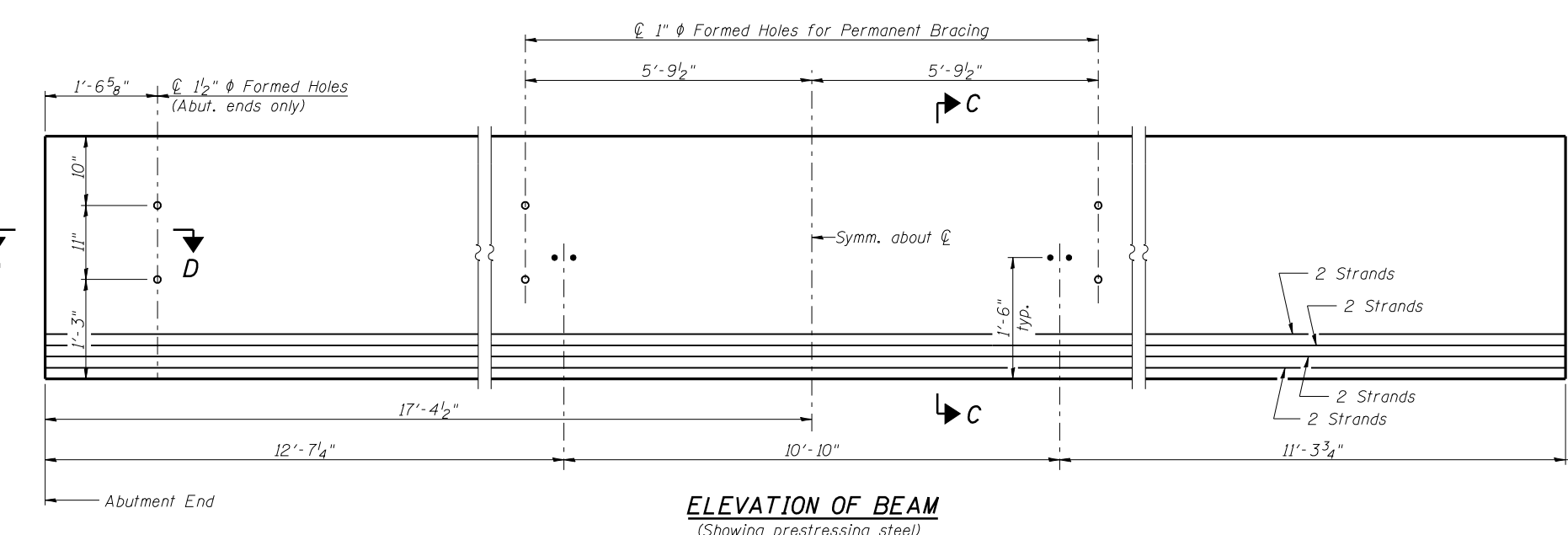


**ELEVATION OF BEAM**  
(Showing reinforcement & dimensions)

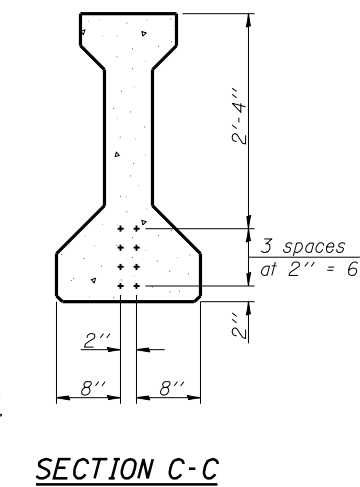
Note A:  
Hex nuts (top and bottom) with lock washers (top). Only tighten sufficiently to compress lock washers.

\* 3 spaces at 3" = 9".  
\*\* 4-3/4"  $\phi$  threaded dowel rods at 3" cts., Each Face

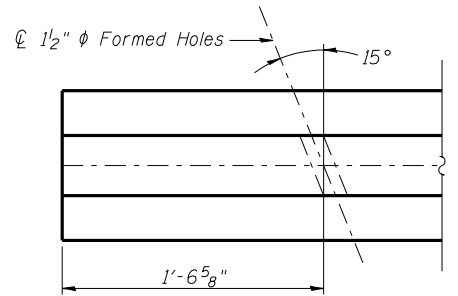


**ELEVATION OF BEAM**  
(Showing prestressing steel)

Insert spacing for floor drain connections. Outside face of exterior beams only.



**SECTION C-C**



**SECTION D-D**

**\*\*\*BAR LIST  
ONE BEAM ONLY**

Bar	No.	Size	Length	Shape
G1	56	#4	7'-5"	⌒
G2	8	#4	5'-8"	⌒
G3	3	#5	34'-6"	—
G4	38	#3	4'-1"	⌒
G6	2	#8	6'-6"	⌒

\*\*\*For information only

Notes:  
See sheet 15 of 24 for additional details and Bill of Material.  
Required release strength,  $f'ci$ , shall be 5,000 psi.