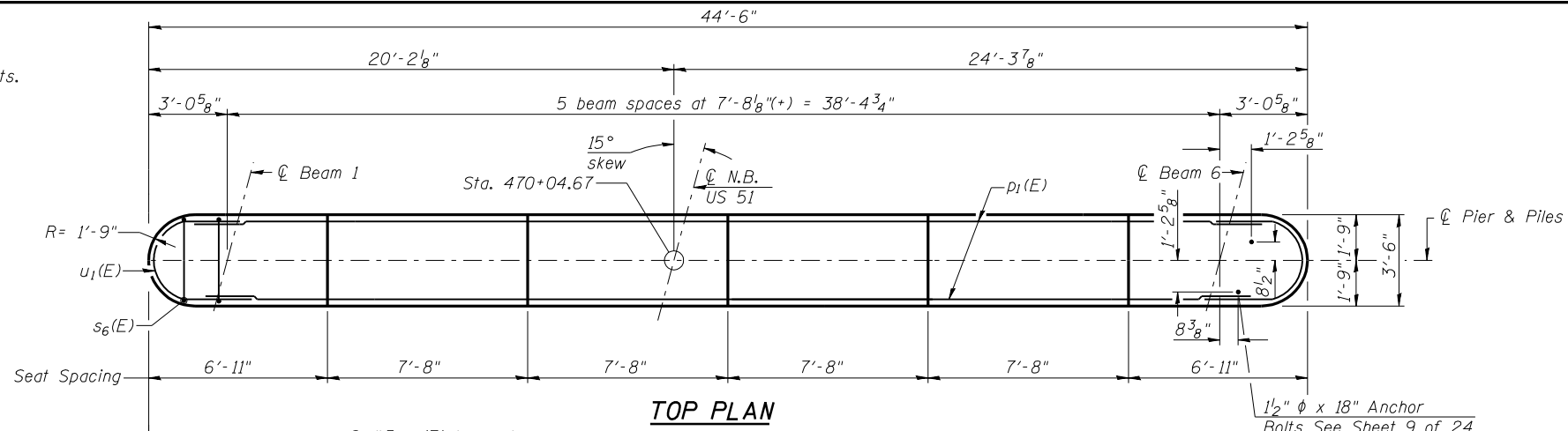
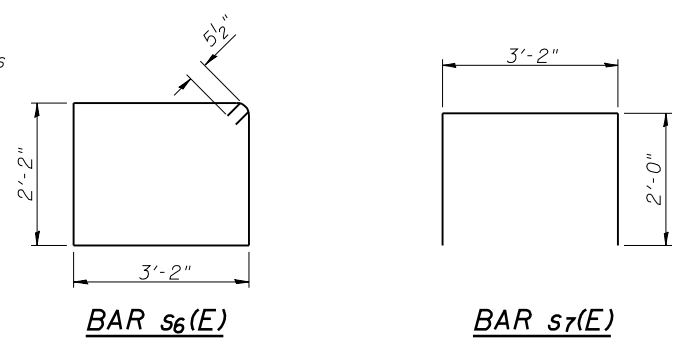


Notes:
 Space reinforcement in cap to miss anchor bolts.
 Pour steps monolithically with cap.
 For details of piles and Concrete Encasement,
 see sheet 20 of 24.

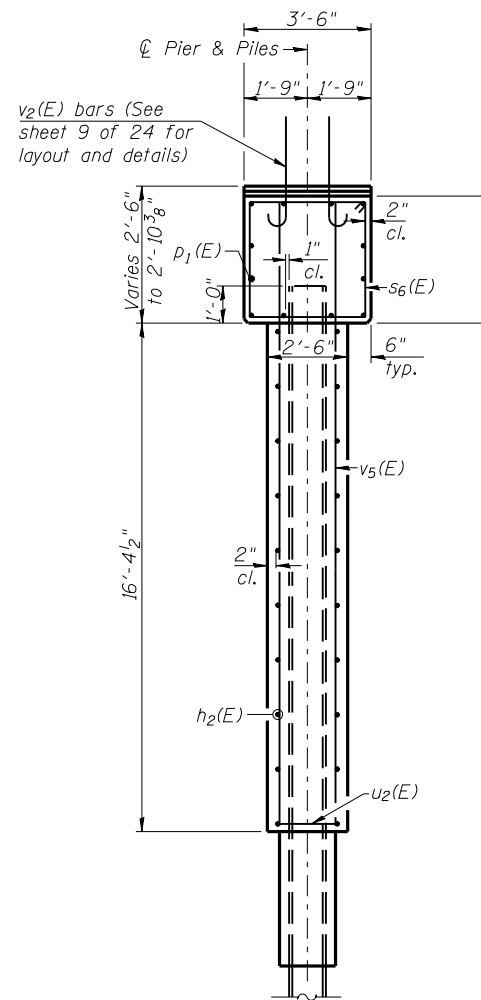


TOP PLAN

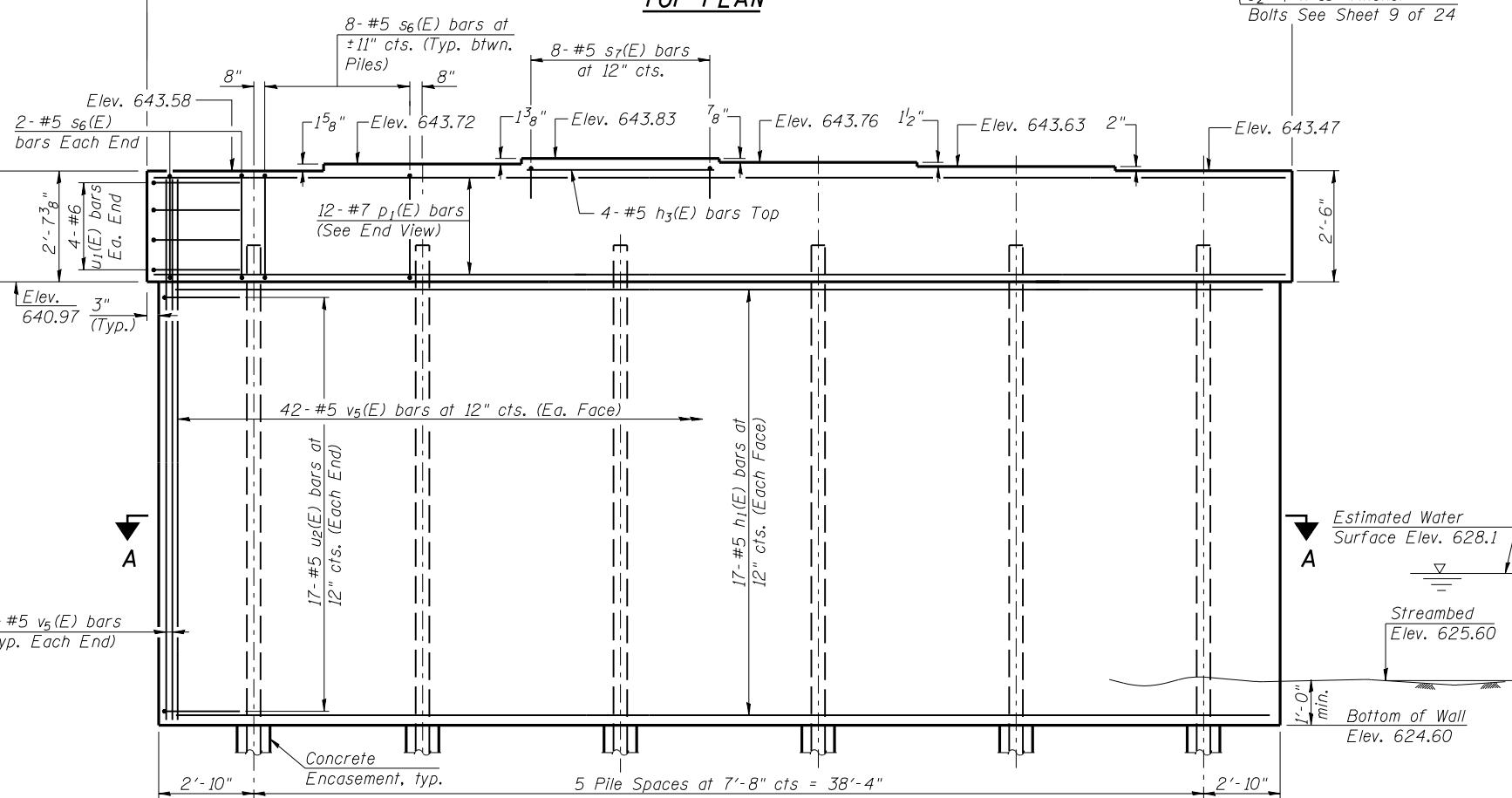


BAR s6(E)

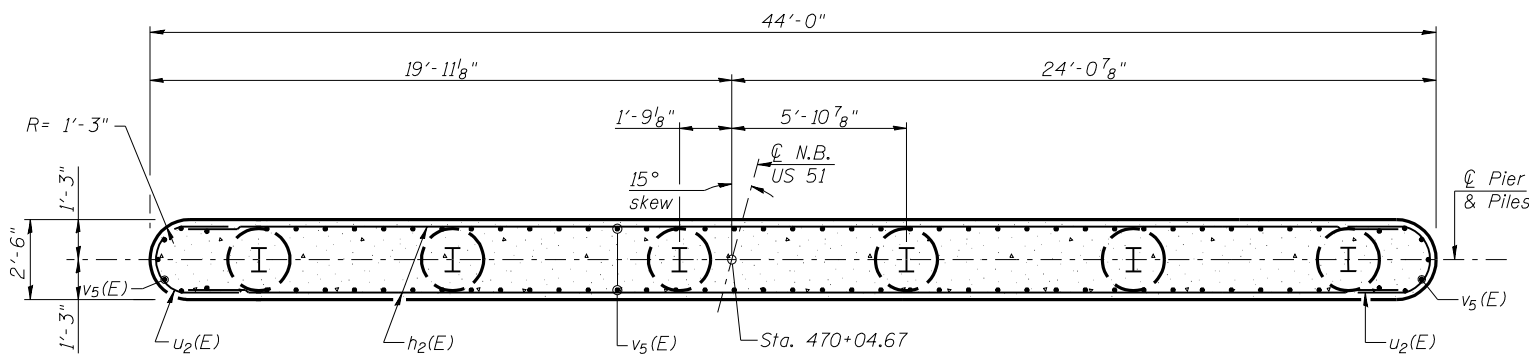
BAR s7(E)



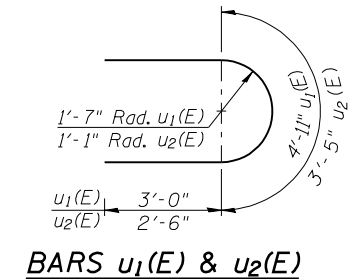
END VIEW



ELEVATION
(Looking North)



SECTION A-A



BARS u1(E) & u2(E)

BILL OF MATERIAL

Bar	No.	Size	Length	Shape
h2(E)	34	#5	41'-6"	—
h3(E)	4	#5	7'-4"	—
p1(E)	12	#7	41'-0"	—
s6(E)	44	#5	11'-7"	□
s7(E)	8	#5	7'-2"	□
u1(E)	8	#6	10'-11"	U
u2(E)	34	#5	8'-5"	U
v2(E)	32	#8	4'-2"	C
v5(E)	90	#5	18'-0"	—
Concrete Structures		Cu. Yd.	81.2	
Reinforcement Bars, Epoxy Coated		Pound	5580	
Cofferdam Excavation		Cu. Yd.	2.5	
Furnishing Steel Piles HPI2x63		Foot	330	
Driving Piles		Foot	330	
Cofferdam (Type 1) - Location 1		Each	1	
Concrete Encasement		Cu. Yd.	2.1	
Pile Shoes		Each	6	
Test Pile Steel HPI2x63		Each	1	

PILE DATA

Type: Steel HP12x63 with Pile Shoes
 Nominal Required Bearing: 497 k
 Allowable Resistance Available: 158 ft
 Est. Length: 66 ft
 No. Production Piles: 5
 No. Test Piles: 1

USER NAME =	DESIGNED - KMB	REVISED -
FILE NAME =	CHECKED - MTH	REVISED -
PLOT SCALE =	DRAWN - JMD	REVISED -
PLOT DATE =	CHECKED - MTH	REVISED -

F.A.P. RTE. 322	SECTION 11-13	COUNTY CHRISTIAN	TOTAL SHEETS 437	SHEET NO. 194
			CONTRACT NO. 72961	
ILLINOIS FED. AID PROJECT				