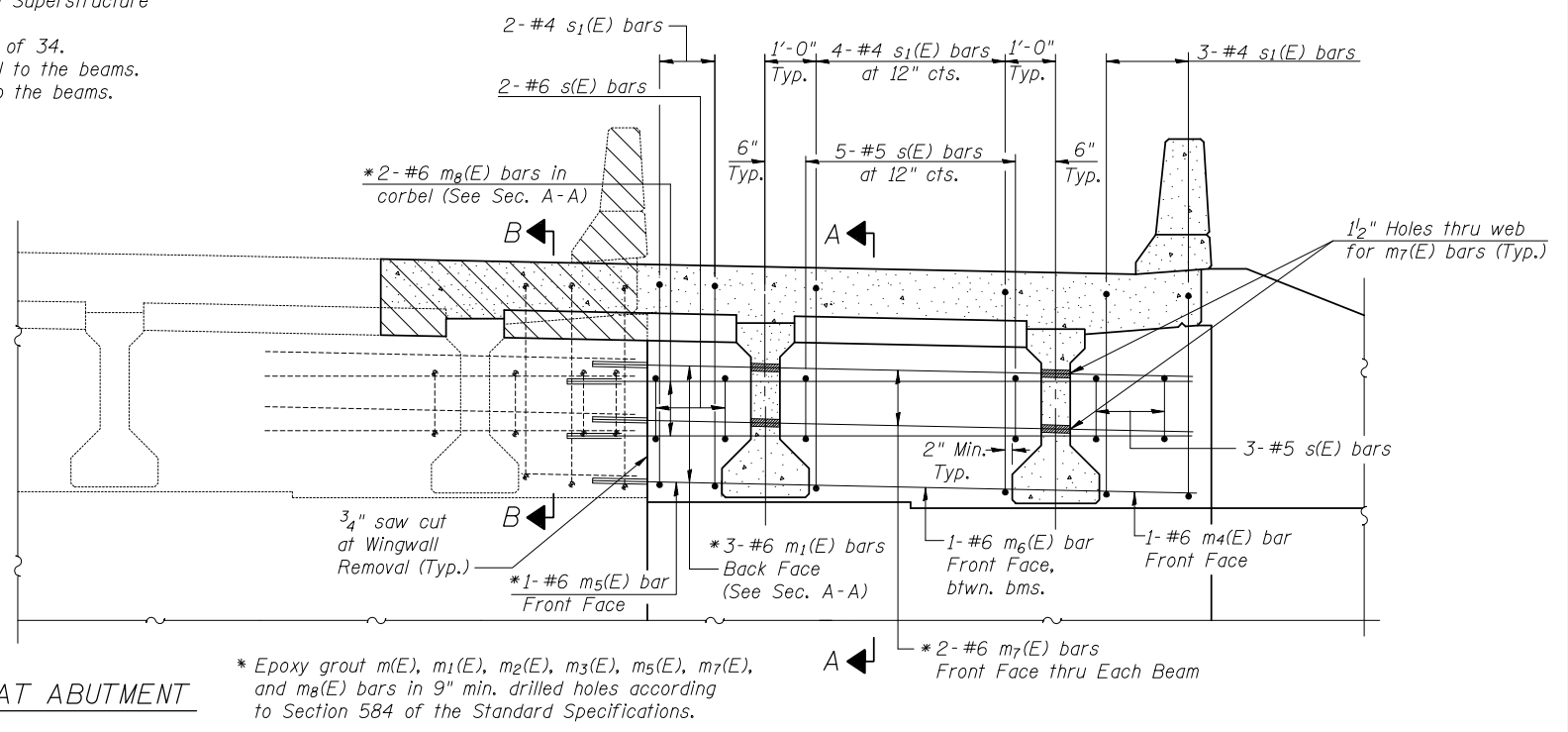
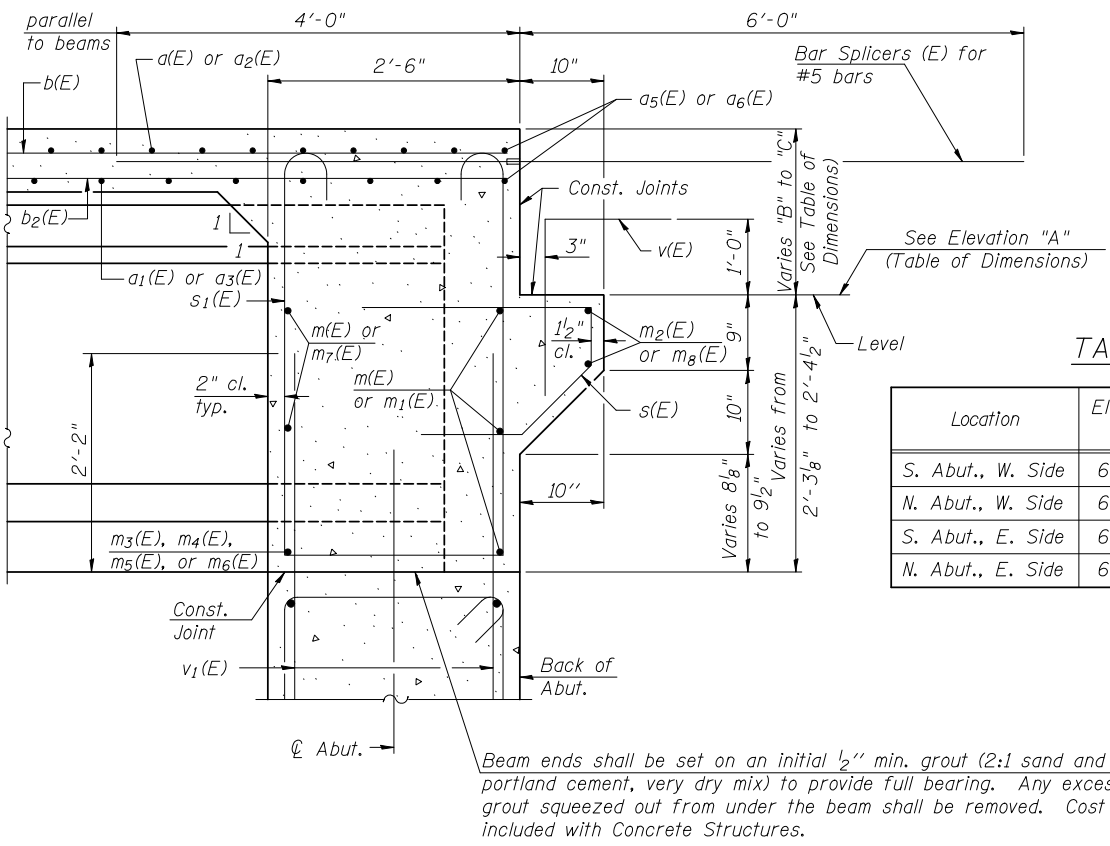


Notes:
Reinforcement bars in diaphragm are billed with superstructure on sheet 9 of 34.
Concrete in diaphragm is included with Concrete Superstructure on sheet 9 of 34.
For details of bars s(E) and s₁(E) see sheet 9 of 34.
The s(E) and s₁(E) bars shall be placed parallel to the beams.
Spacing for these bars shall be at right angles to the beams.



* Epoxy grout m(E), m₁(E), m₂(E), m₃(E), m₅(E), m₇(E), and m₈(E) bars in 9" min. drilled holes according to Section 584 of the Standard Specifications.

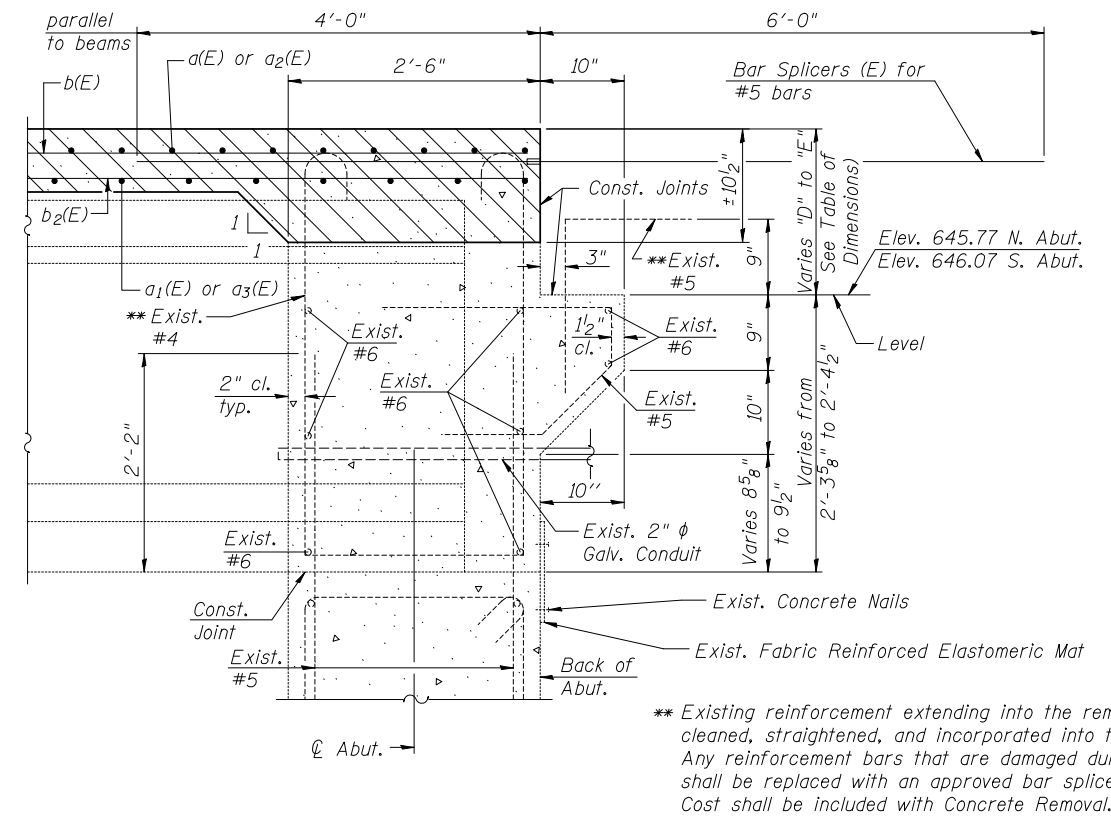
DIAPHRAGM ELEVATION AT ABUTMENT



MIN. BAR LAP
#6 bar = 3'-4"

TABLE OF ELEVATIONS

Location	Elevation "A"	Distance "B"	Distance "C"	Distance "D"	Distance "E"
S. Abut., W. Side	645.95	1'-4 3/8"	1'-5 5/8"	1'-4 1/4"	1'-5"
N. Abut., W. Side	645.65	1'-4 3/8"	1'-5 5/8"	1'-4 1/4"	1'-5"
S. Abut., E. Side	645.91	1'-4 3/8"	1'-6 7/8"	1'-4 7/8"	1'-5 7/8"
N. Abut., E. Side	645.61	1'-4 3/8"	1'-6 3/4"	1'-4 3/4"	1'-5 3/4"



SECTION B-B
Dimensions at right angles to abutment, except as shown.

FILE NAME	USER NAME =	DESIGNED ADL	REVISED -
		CHECKED RJP	REVISED -
	PLOT SCALE =	DRAWN RJP	REVISED -
	PLOT DATE =	CHECKED ADL	REVISED -

STATE OF ILLINOIS
DEPARTMENT OF TRANSPORTATION

SUPERSTRUCTURE DETAILS
STRUCTURE NO. 011-0037

SHEET NO. 10 OF 34 SHEETS

F.A.P. RTE.	SECTION	COUNTY	TOTAL SHEETS	SHEET NO.
322	11-10	CHRISTIAN	437	210
CONTRACT NO. 72961				
ILLINOIS FED. AID PROJECT				
Klingner & Associates P.C.				