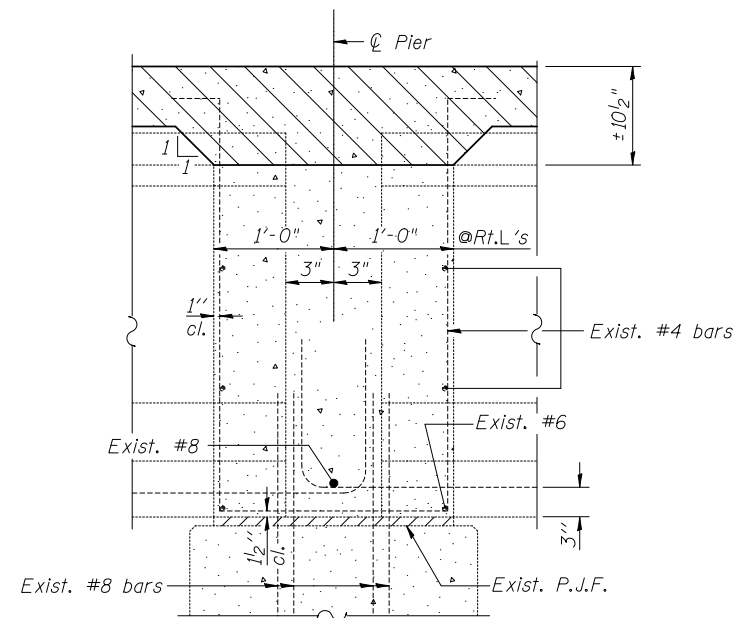


v₃(E) or v₆(E) bars
See sheets 24 and 25 of 34.

SECTION C-C

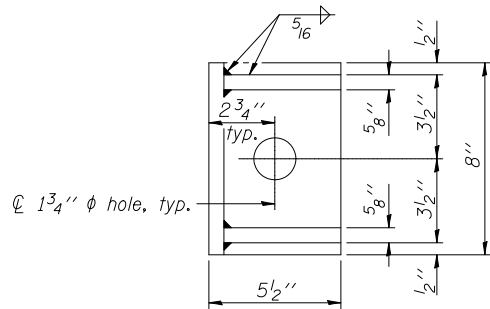
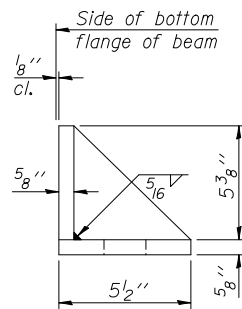
Dimensions along \varnothing of beam, except as shown.

* Tightly fasten the #8 bars together with No. 9 wire ties.



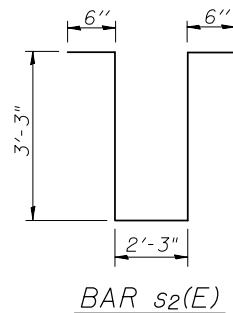
SECTION D-D

Dimensions along \varnothing of beam, except as shown.



SIDE RETAINER

(2 required each side of pier).
Equivalent rolled angle with stiffeners will be allowed in lieu of welded plates.



BAR s₂(E)

Notes:
Reinforcement bars in diaphragm are billed with superstructure on sheet 9 of 34.
Concrete in diaphragm is included with Concrete Superstructure on sheet 9 of 34.
The s₂(E) bars shall be placed parallel to the beams.
Spacing for these bars shall be at right angles to the beams.
The side retainer shall be galvanized after shop fabrication according to AASHTO M 111.
Anchor bolts for side retainers may be either cast in place or installed in holes drilled after the supporting member is in place and prior to pouring the deck.
Drilled and set anchor bolts shall be installed according to Article 521.06 of the Standard Specifications.
Cost of side retainer and anchor bolts shall be included with Concrete Structures.
See sheet 11 of 34 for location of Sections C-C and D-D.

FILE NAME	USER NAME =	DESIGNED ADL	REVISED -
		CHECKED RJP	REVISED -
	PLOT SCALE =	DRAWN RJP	REVISED -
	PLOT DATE =	CHECKED ADL	REVISED -

**STATE OF ILLINOIS
DEPARTMENT OF TRANSPORTATION**

**SUPERSTRUCTURE DETAILS
STRUCTURE NO. 011-0037**

SHEET NO. 12 OF 34 SHEETS

F.A.P. RTE.	SECTION	COUNTY	TOTAL SHEETS	SHEET NO.
322	11-10	CHRISTIAN	437	212
ILLINOIS FED. AID PROJECT			CONTRACT NO. 72961	