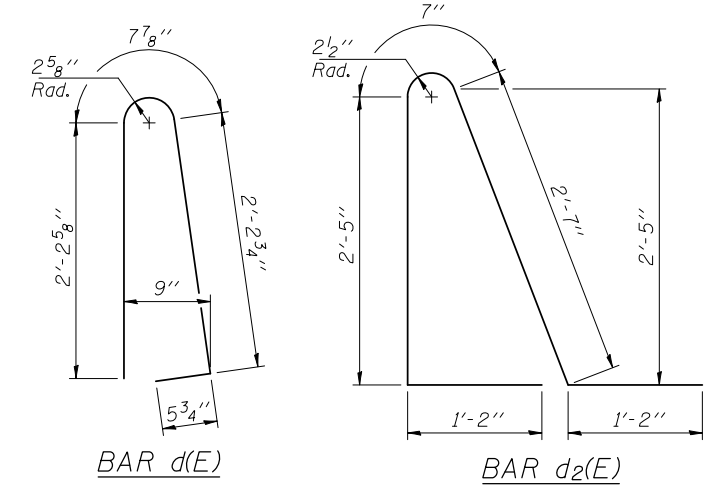


Notes:  
 See sheet 13 of 34 for Detail A and View B-B.  
 Approach slab and parapet concrete shall be paid for as Concrete Superstructure.  
 Approach footing concrete shall be paid for as Concrete Structures.  
 Reinforcement shall be paid for as Reinforcement Bars, Epoxy Coated.  
 For v(E) bar details, see sheet 9 of 34.  
 The approach footing maximum applied service bearing pressure (Qmax) = 2.0 ksf.  
 For bar splicer details, see sheet 26 of 34.  
 Cost of excavation for approach footing included with Concrete Structures.  
 For Porous Granular Embankment (Special) and drainage treatment details, see sheet 2 of 34.  
 For additional parapet details, see sheet 9 of 34.



\*Tilt #9 b4(E) bars as required to maintain clearance.  
 \*\*\* Epoxy grout a2(E) and a3(E) bars in 9" min. drilled holes according to Section 584 of the Standard Specifications.  
 ⊕ Cost included with Concrete Superstructure.

TABLE OF ELEVATIONS

Location	Elevation
S. Approach, West Footing	645.18
S. Approach, East Footing	645.15
N. Approach, West Footing	644.74
N. Approach, East Footing	644.70

TWO APPROACHES  
 BILL OF MATERIAL

Bar	No.	Size	Length	Shape
a4(E)	48	#6	6'-6"	—
a8(E)	50	#4	9'-11"	—
a9(E)	50	#4	13'-11"	—
a10(E)	92	#5	9'-8"	—
a11(E)	92	#5	13'-8"	—
a2(E)	100	#4	3'-4"	—
a3(E)	184	#5	3'-7"	—
b3(E)	38	#4	29'-8"	—
b4(E)	106	#9	29'-9"	—
b5(E)	4	#4	14'-8"	—
b6(E)	4	#4	14'-6"	—
d(E)	68	#5	5'-7"	—
d2(E)	68	#5	7'-11"	—
e10(E)	32	#4	14'-8"	—
e11(E)	4	#8	14'-8"	—
t(E)	104	#4	10'-1"	—
w(E)	80	#5	10'-0"	—
w1(E)	80	#5	14'-1"	—
w2(E)	48	#5	3'-7"	—
Concrete Superstructure		Cu. Yd.	77.8	
Concrete Structures		Cu. Yd.	15.2	
Reinforcement Bars, Epoxy Coated		Pound	20,280	
Concrete Removal		Cu. Yd.	20.5	

(Sheet 2 of 2)