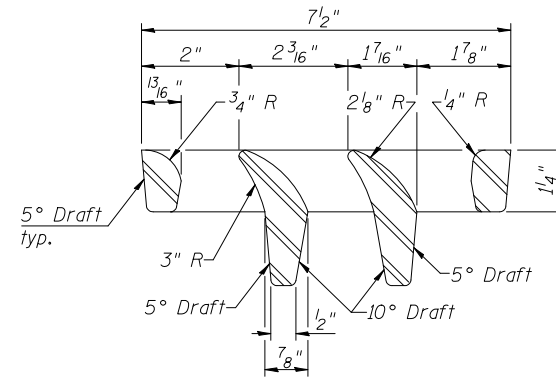
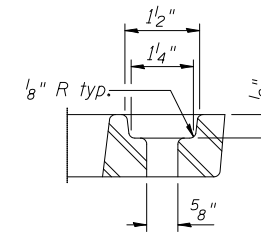


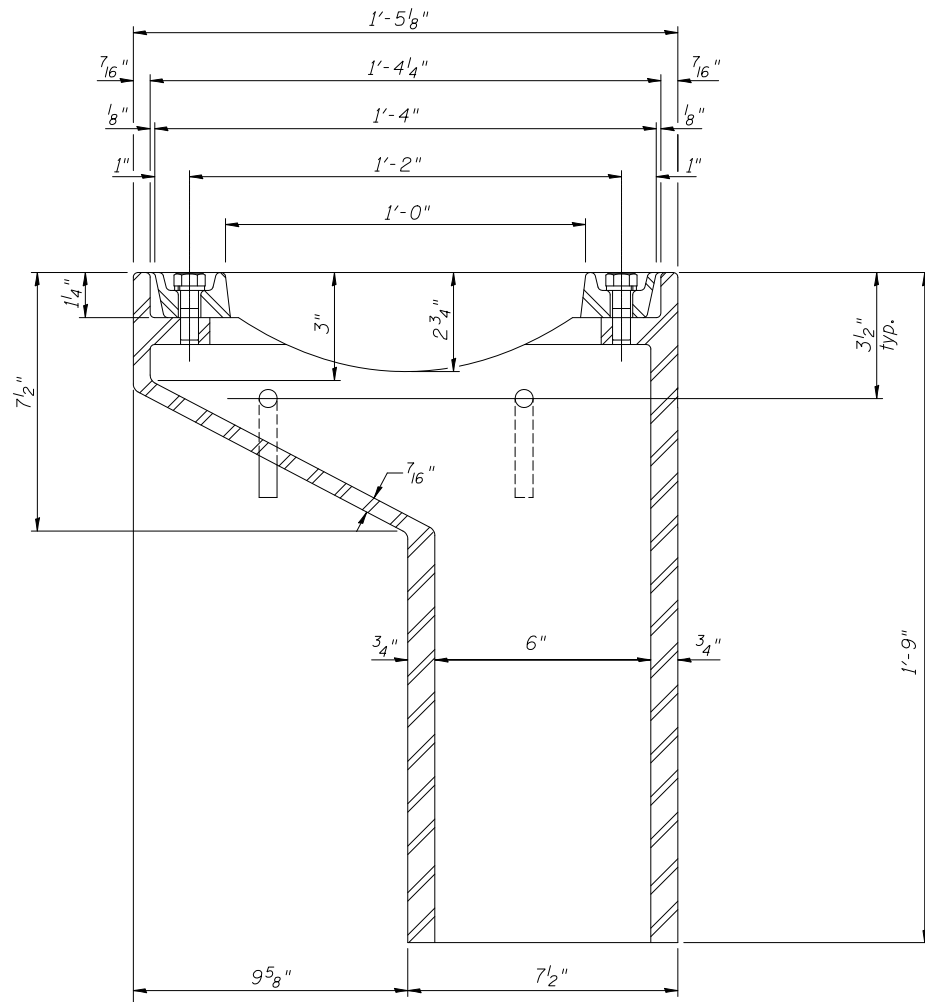
PLAN



VANE GRATE DETAIL

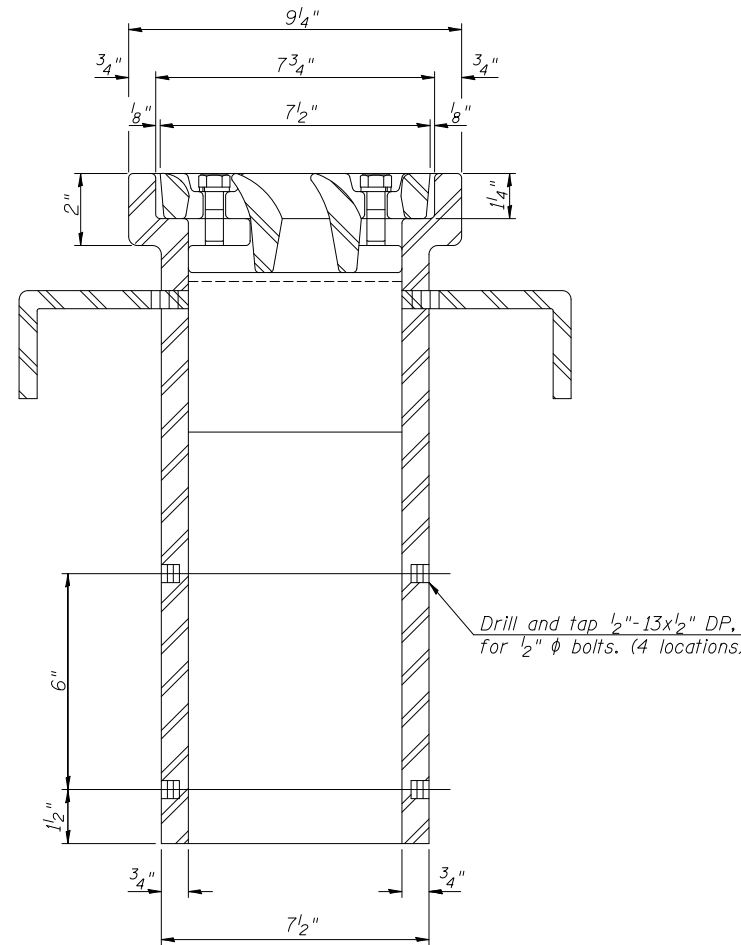


BOLT HOLE DETAIL



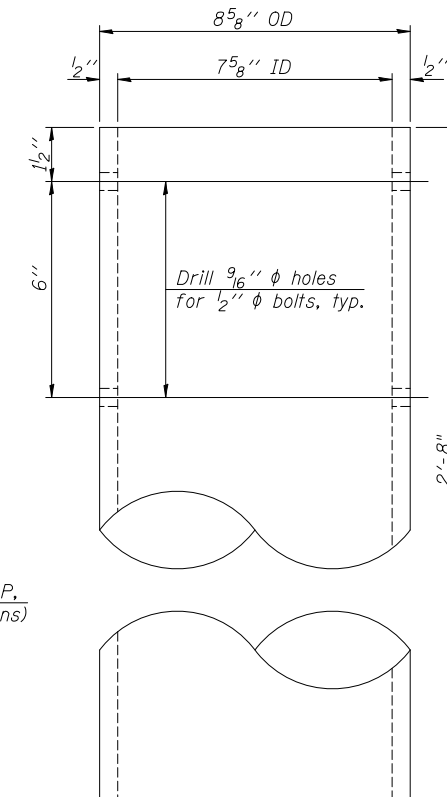
SECTION A-A

See sheet 8 of 33 for scupper location relative to parapet.

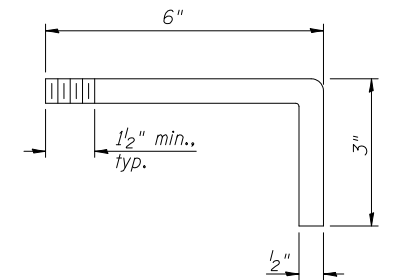


SECTION B-B

Drill and tap 1/2"-13x1/2" DP. for 1/2" φ bolts. (4 locations)



DOWNSPOUT



ANCHOR STUD DETAIL

BILL OF MATERIAL

ITEM	UNIT	QUANTITY
Drainage Scupper, DS-11	Each	4

DS-11

7-1-10

FILE NAME	USER NAME	DESIGNED	REVISIONS
		ADL	-
		RJP	-
		RJP	-
		ADL	-

STATE OF ILLINOIS
DEPARTMENT OF TRANSPORTATION

DRAINAGE SCUPPER, DS-11
STRUCTURE NO. 011-0037

SHEET NO. 15 OF 34 SHEETS

F.A.P. RTE.	SECTION	COUNTY	TOTAL SHEETS	SHEET NO.
322	11-10	CHRISTIAN	437	215
CONTRACT NO. 72961				

ILLINOIS FED. AID PROJECT
Klingner & Associates P.C.