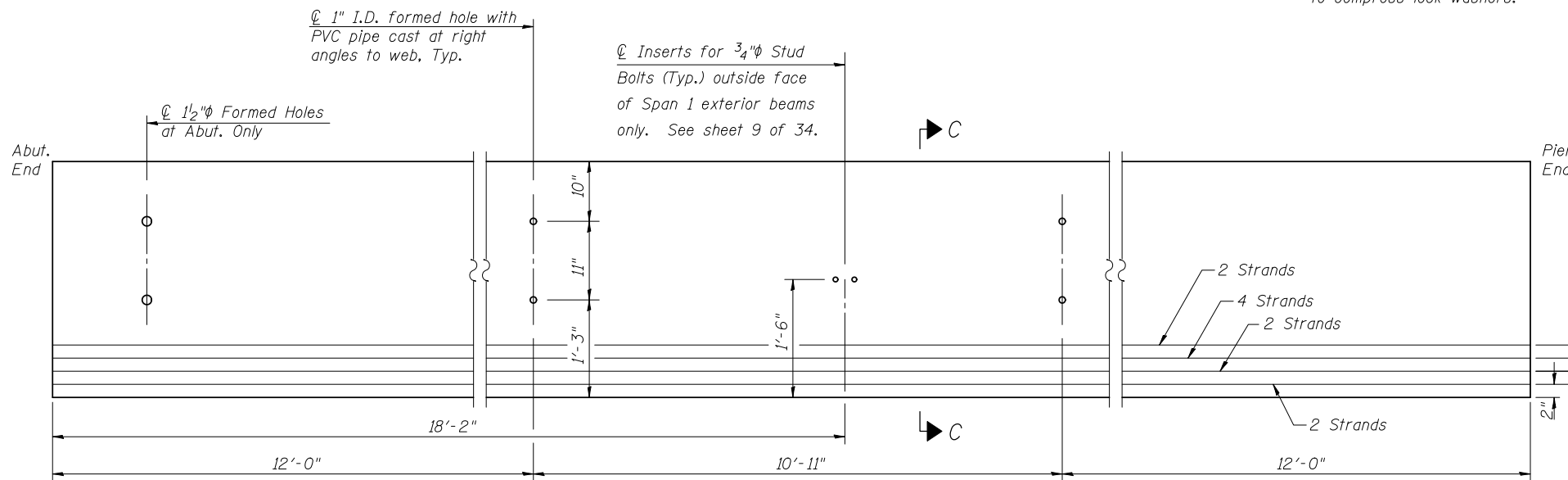


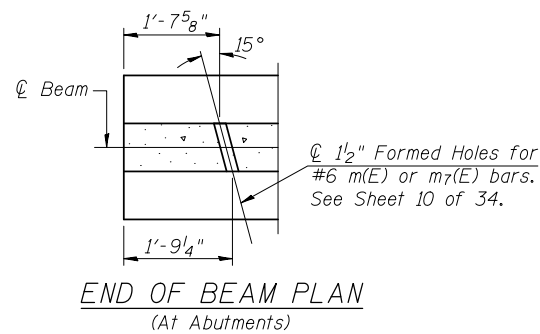
ELEVATION OF BEAM
(Showing reinforcement & dimensions)

* 3 spaces at 3" = 9".
** 4-3/4" ϕ threaded dowel rods at 3" cts., Each Face

Note A:
Hex nuts (top and bottom) with lock washers (top). Only tighten sufficiently to compress lock washers.



ELEVATION OF BEAM
(Showing prestressing steel)



***BAR LIST
ONE BEAM ONLY

Bar	No.	Size	Length	Shape
G_1	35	#4	7'-5"	\cap
G_2	8	#4	5'-8"	\cap
G_3	6	#5	18'-6"	—
G_4	38	#3	4'-1"	∇
G_6	2	#8	6'-6"	—

***For information only

Notes:
See sheet 18 of 34 for additional details and Bill of Material.
Required release strength, f'_{ci} , shall be 5,000 psi.

PI-4-36

7-1-10

FILE NAME	USER NAME =	DESIGNED	REVISIONS
		ADL	-
		RJP	-
		RJP	-
		ADL	-

STATE OF ILLINOIS
DEPARTMENT OF TRANSPORTATION

36" PPC I-BEAM - SPANS 1 & 3
STRUCTURE NO. 011-0037

SHEET NO. 17 OF 34 SHEETS

F.A.P. RTE.	SECTION	COUNTY	TOTAL SHEETS	SHEET NO.
322	11-10	CHRISTIAN	437	217
CONTRACT NO. 72961				
ILLINOIS FED. AID PROJECT				
Klingner & Associates P.C.				