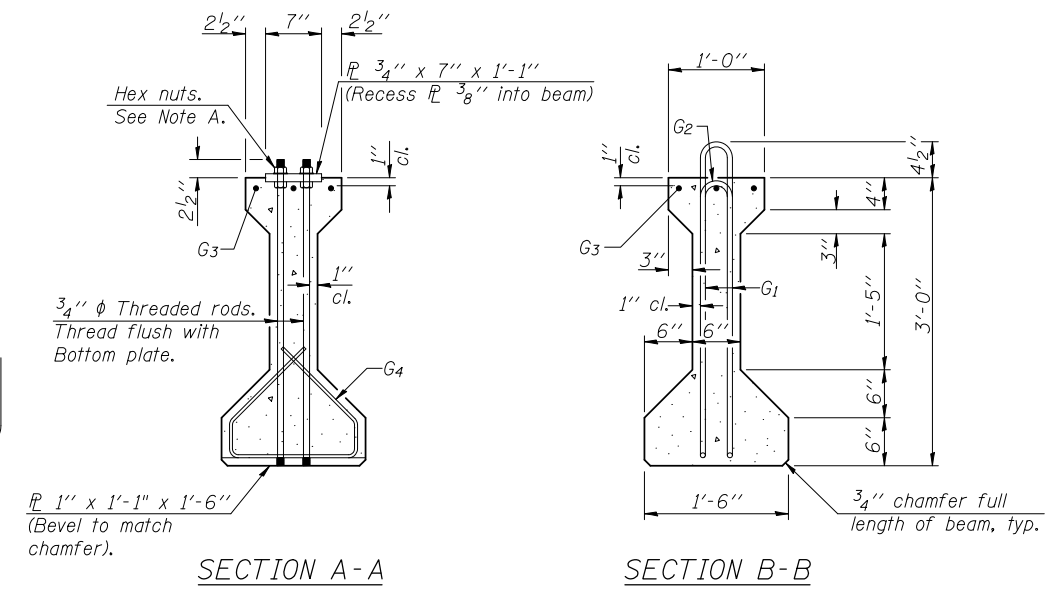


**ELEVATION OF BEAM**  
(Showing reinforcement & dimensions)

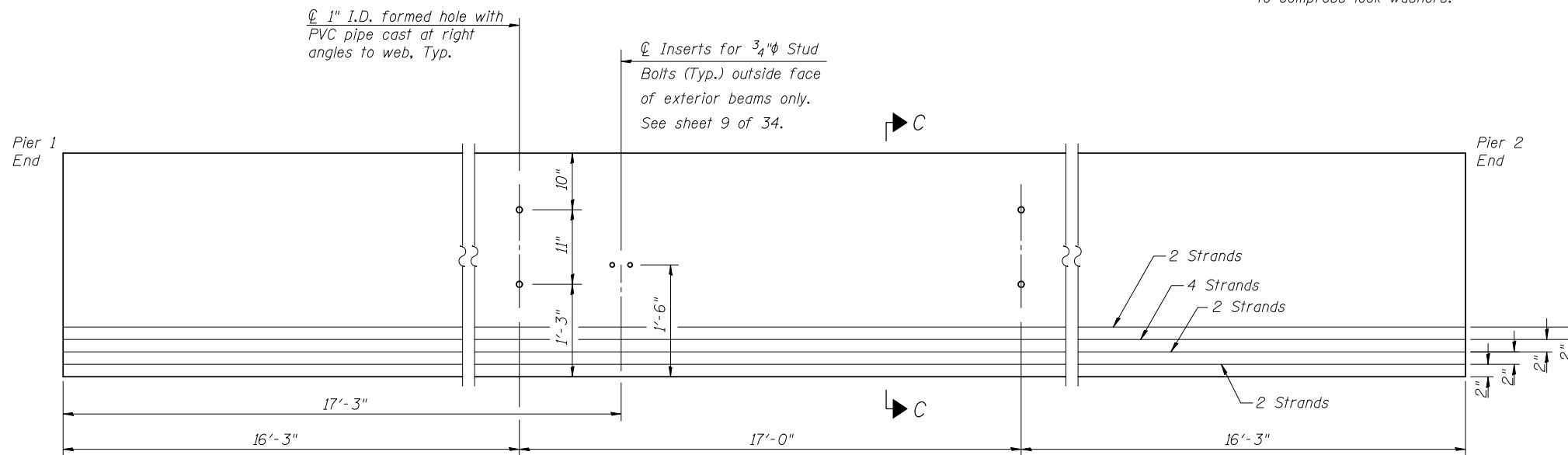
\* 3 spaces at 3" = 9".  
\*\* 4-3/4" φ threaded dowel rods at 3" cts., Each Face

Note A:  
Hex nuts (top and bottom) with lock washers (top). Only tighten sufficiently to compress lock washers.



**SECTION A-A**

**SECTION B-B**



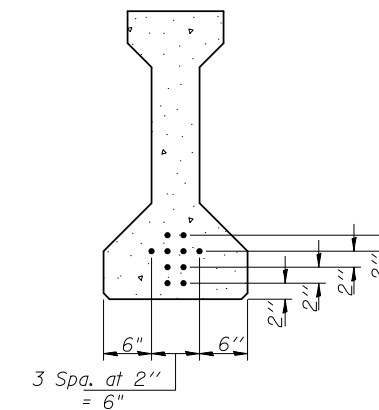
**ELEVATION OF BEAM**  
(Showing prestressing steel)

**\*\*\*BAR LIST**  
**ONE BEAM ONLY**

Bar	No.	Size	Length	Shape
G <sub>1</sub>	49	#4	7'-5"	∩
G <sub>2</sub>	8	#4	5'-8"	∩
G <sub>3</sub>	6	#5	25'-9"	—
G <sub>4</sub>	38	#3	4'-1"	∩
G <sub>6</sub>	4	#8	6'-6"	—

\*\*\*For information only

Notes:  
See sheet 20 of 34 for additional details and Bill of Material.  
Required release strength, f'ci, shall be 5,000 psi.



**SECTION C-C**

PI-4-36

7-1-10

FILE NAME	USER NAME	DESIGNED	REVISIONS
	ADL	ADL	-
	RJP	RJP	-
	RJP	RJP	-
	ADL	ADL	-

**STATE OF ILLINOIS**  
**DEPARTMENT OF TRANSPORTATION**

**36" PPC I-BEAM - SPAN 2**  
**STRUCTURE NO. 011-0037**

SHEET NO. 19 OF 34 SHEETS

F.A.P. RTE.	SECTION	COUNTY	TOTAL SHEETS	SHEET NO.
322	11-10	CHRISTIAN	437	219
CONTRACT NO. 72961				

ILLINOIS FED. AID PROJECT  
Klingner & Associates P.C.