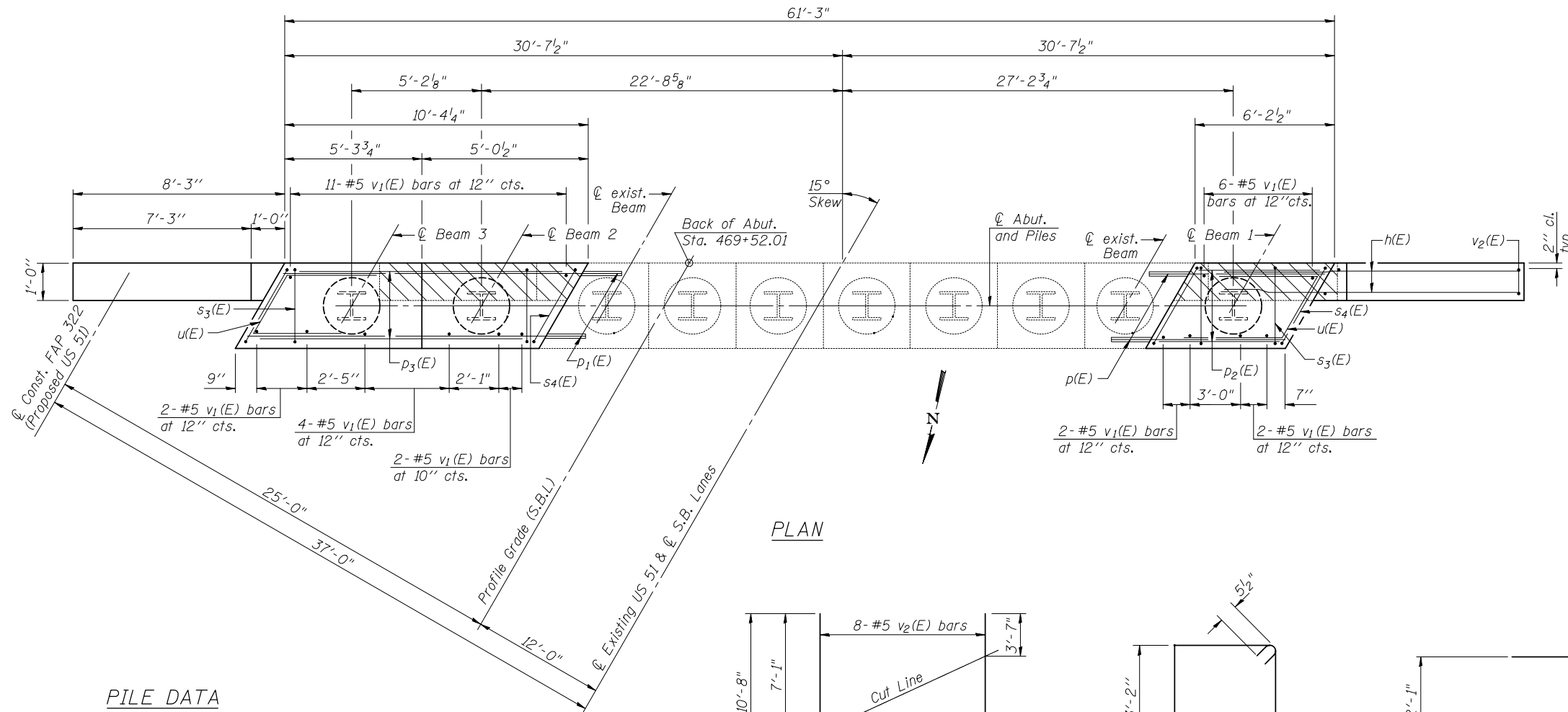
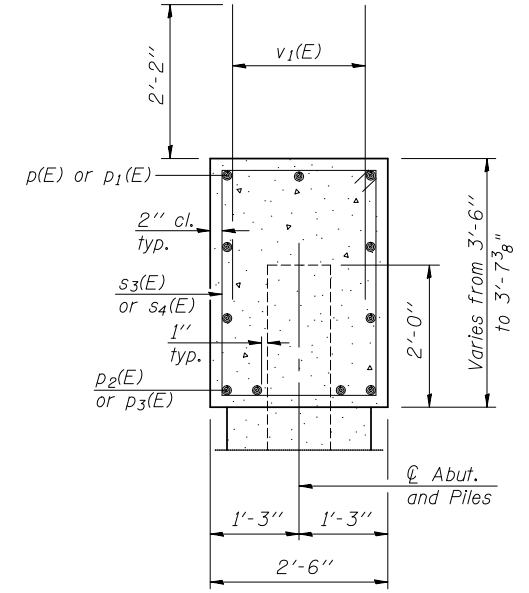
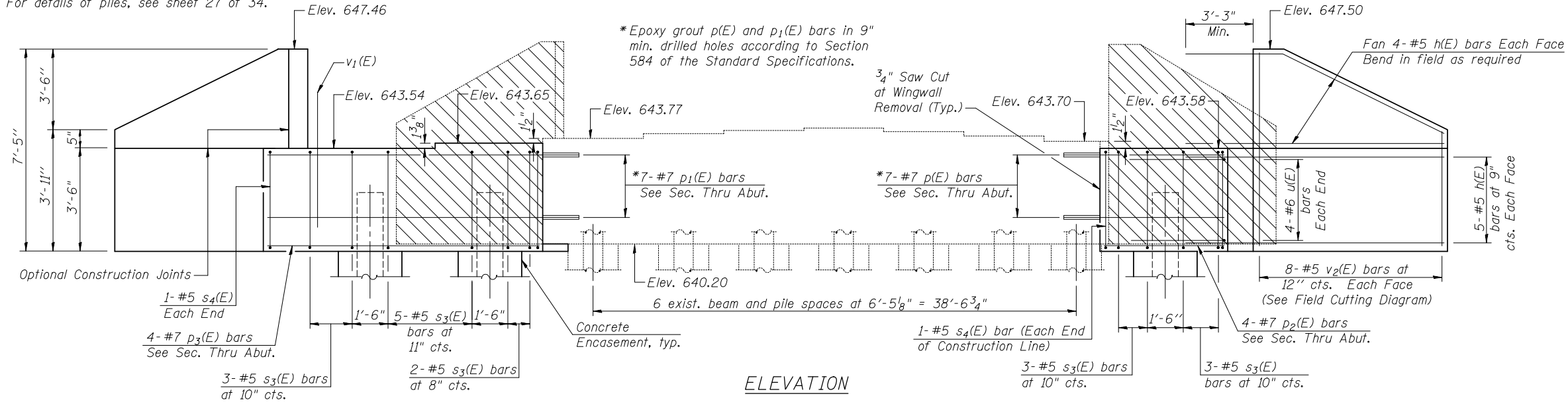


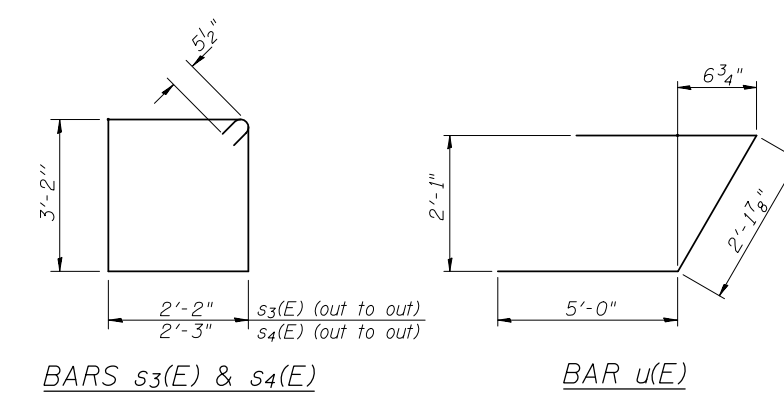
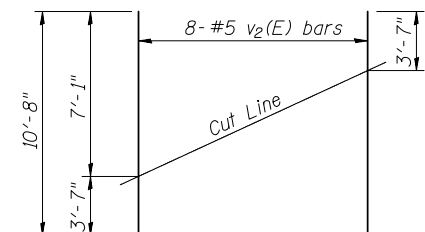
Notes:
Pour steps monolithically with cap.
For details of piles, see sheet 27 of 34.



BILL OF MATERIAL

Bar	No.	Size	Length	Shape
h(E)	36	#5	12'-3"	—
p(E)	7	#7	6'-9"	—
p ₁ (E)	7	#7	10'-11"	—
p ₂ (E)	4	#7	5'-10"	—
p ₃ (E)	4	#7	10'-0"	—
s ₃ (E)	16	#5	11'-7"	□
s ₄ (E)	4	#5	11'-9"	□
u(E)	8	#6	12'-2"	┘
v ₁ (E)	29	#5	4'-4"	—
v ₂ (E)	16	#5	10'-8"	—
Structure Excavation		Cu. Yd.	44	
Concrete Structures		Cu. Yd.	8.9	
Concrete Removal		Cu. Yd.	3.5	
Concrete Encasement		Cu. Yd.	1.0	
Reinforcement Bars, Epoxy Coated		Pound	1,540	
Furnishing Steel Piles HP12x53		Foot	207	
Driving Piles		Foot	207	

PILE DATA
 Type: Steel HP 12x53
 Nominal Required Bearing: 419 Kips/Pile
 Factored Resistance Available: 209 Kips/Pile
 Est. Length: 69 Ft./Pile
 No. Production Piles: 3



FILE NAME	USER NAME =	DESIGNED ADL	REVISD -
		CHECKED RJP	REVISD -
	PLOT SCALE =	DRAWN RJP	REVISD -
	PLOT DATE =	CHECKED ADL	REVISD -

**STATE OF ILLINOIS
DEPARTMENT OF TRANSPORTATION**

**SOUTH ABUTMENT
STRUCTURE NO. 011-0037**

SHEET NO. 22 OF 34 SHEETS

F.A.P. RTE.	SECTION	COUNTY	TOTAL SHEETS	SHEET NO.
322	11-10	CHRISTIAN	437	222
CONTRACT NO. 72961				