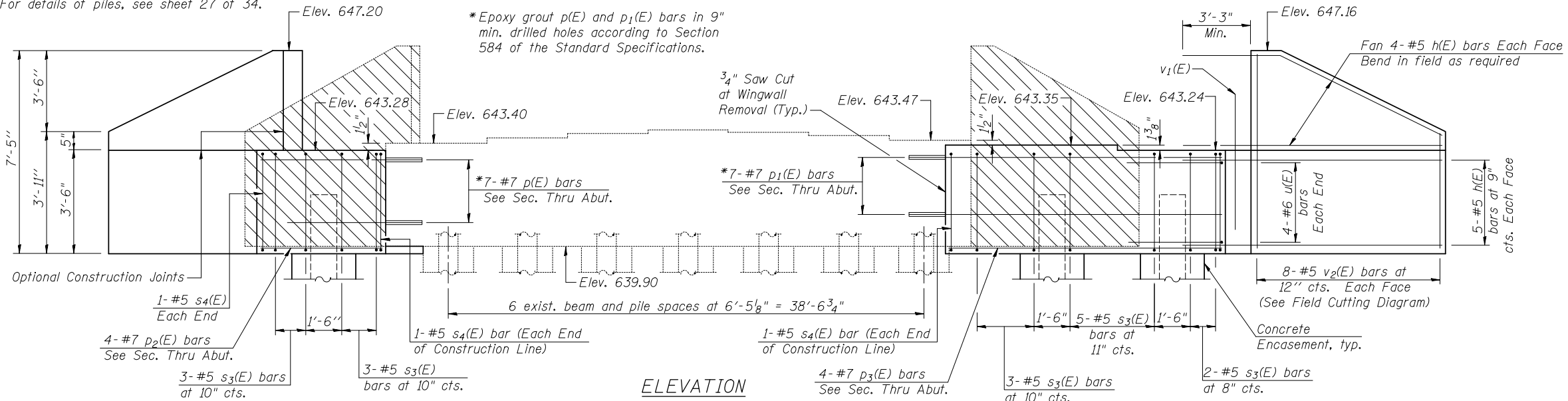
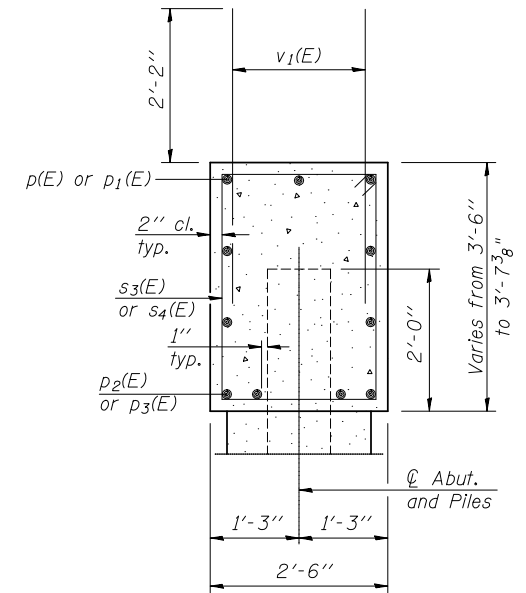


Notes:
Four steps monolithically with cap.
For details of piles, see sheet 27 of 34.



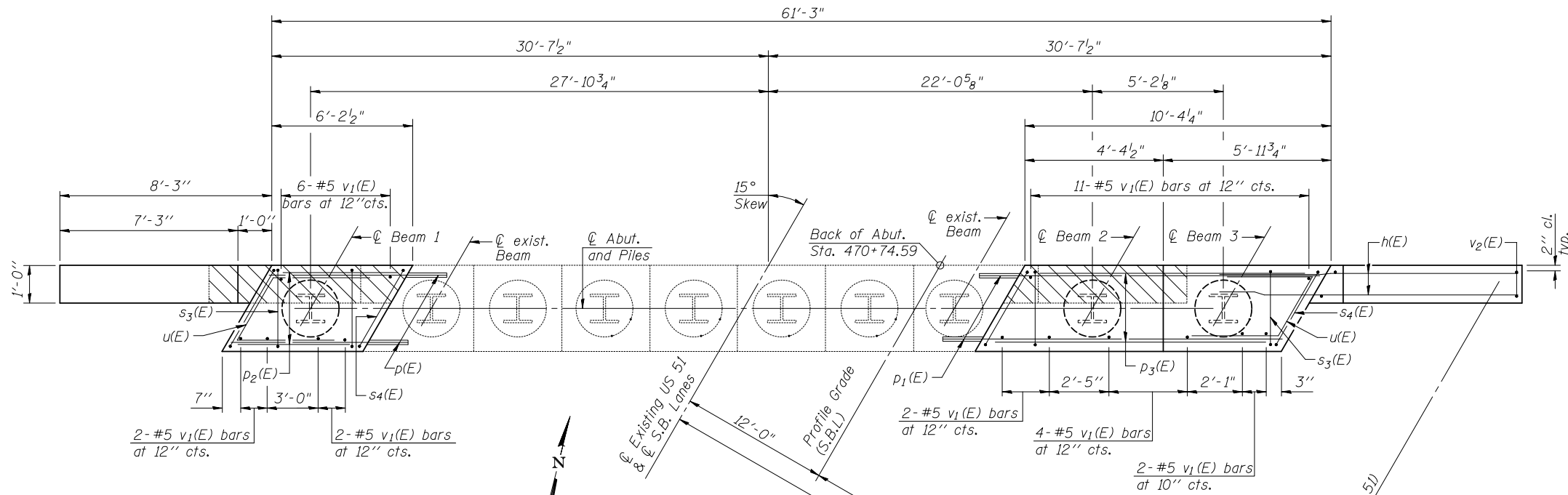
ELEVATION



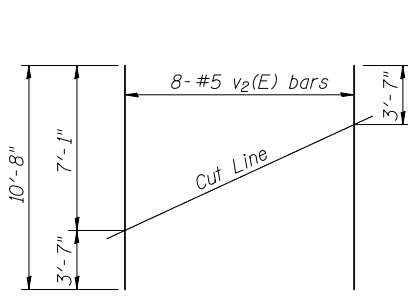
SEC. THRU ABUT.

BILL OF MATERIAL

Bar	No.	Size	Length	Shape
h(E)	36	#5	12'-3"	—
p(E)	7	#7	6'-9"	—
p1(E)	7	#7	10'-11"	—
p2(E)	4	#7	5'-10"	—
p3(E)	4	#7	10'-0"	—
s3(E)	16	#5	11'-7"	□
s4(E)	4	#5	11'-9"	□
u(E)	8	#6	12'-2"	┘
v1(E)	29	#5	4'-4"	—
v2(E)	16	#5	10'-8"	—
Structure Excavation		Cu. Yd.	44	
Concrete Structures		Cu. Yd.	8.9	
Concrete Removal		Cu. Yd.	3.5	
Concrete Encasement		Cu. Yd.	1.0	
Reinforcement Bars, Epoxy Coated		Pound	1,540	
Furnishing Steel Piles HP12x53		Foot	195	
Driving Piles		Foot	195	

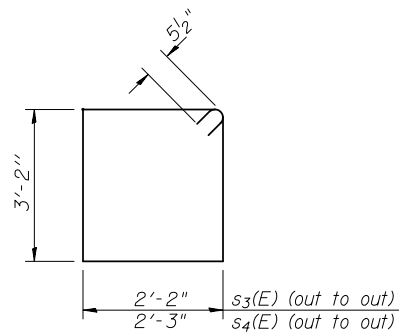


PLAN

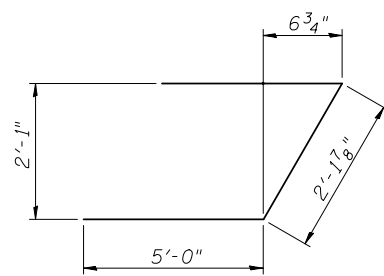


FIELD CUTTING DIAGRAM

Order v2(E) full length. Cut as shown and use remainder of bars in opposite face.



BAR S3(E) & S4(E)



BAR u(E)

PILE DATA

Type: Steel HP 12x53
Nominal Required Bearing: 419 Kips/Pile
Factored Resistance Available: 209 Kips/Pile
Est. Length: 65 Ft./Pile
No. Production Piles: 3

FILE NAME	USER NAME =	DESIGNED ADL	REVISED -
		CHECKED RJP	REVISED -
	PLOT SCALE =	DRAWN RJP	REVISED -
	PLOT DATE =	CHECKED ADL	REVISED -

STATE OF ILLINOIS
DEPARTMENT OF TRANSPORTATION

NORTH ABUTMENT
STRUCTURE NO. 011-0037

SHEET NO. 23 OF 34 SHEETS

F.A.P. RTE.	SECTION	COUNTY	TOTAL SHEETS	SHEET NO.
322	11-10	CHRISTIAN	437	223
CONTRACT NO. 72961				
ILLINOIS FED. AID PROJECT				
Klingner & Associates P.C.				