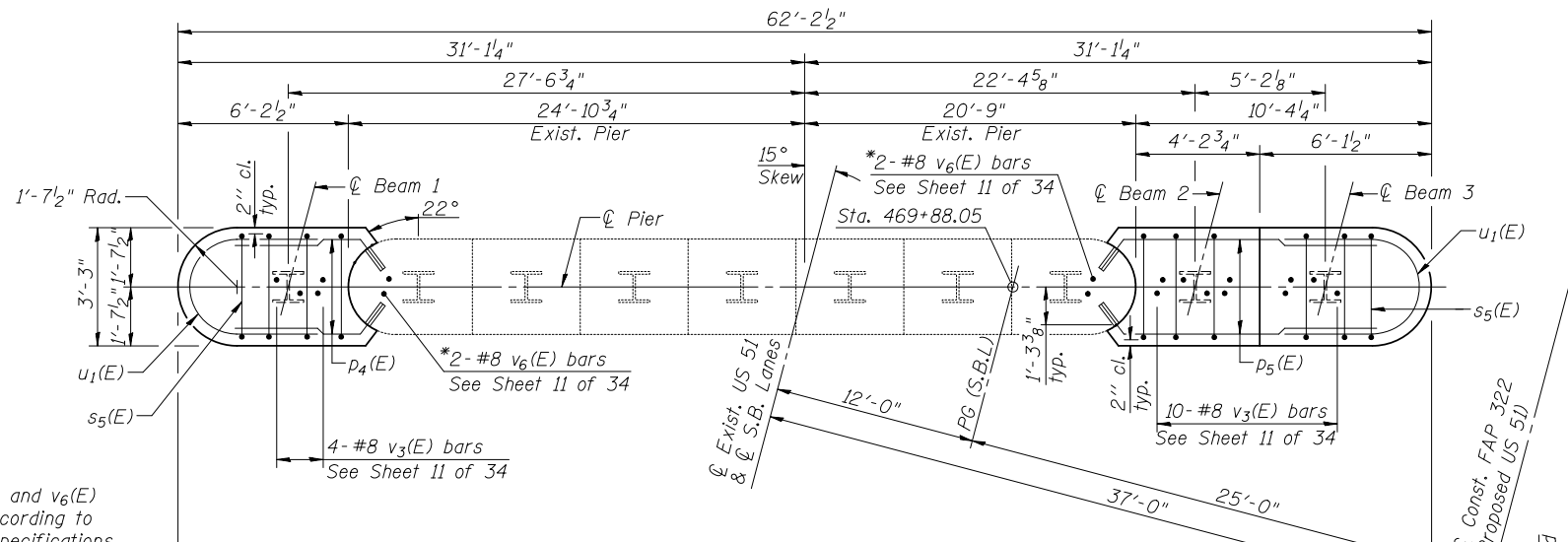


Notes:
 Pour steps monolithically with cap.
 For details of piles, see sheet 27 of 34.

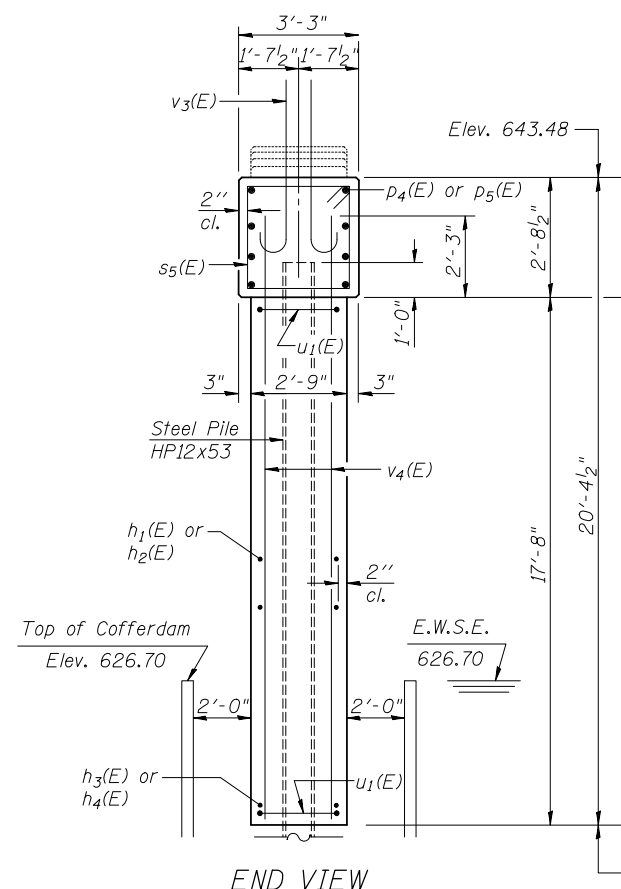
PILE DATA

Type: Steel HP 12x53
 Nominal Required Bearing: 419 Kips/Pile
 Factored Resistance Available: 209 Kips/Pile
 Est. Length: 69 Ft./Pile
 No. Production Piles: 3

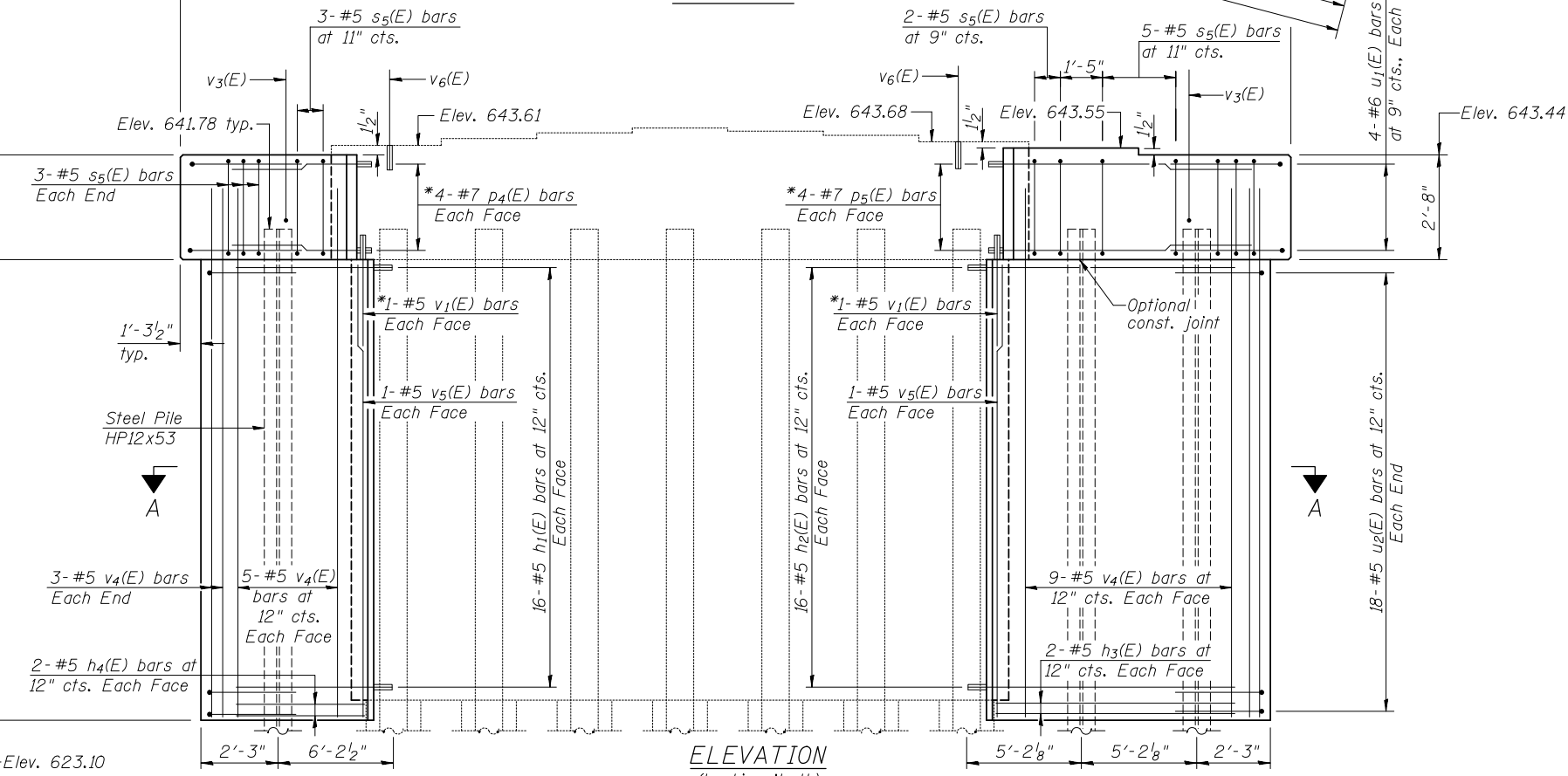
*Epoxy grout p₄(E), p₅(E), v₁(E) and v₆(E) bars in 9" min. drilled holes according to Section 584 of the Standard Specifications.



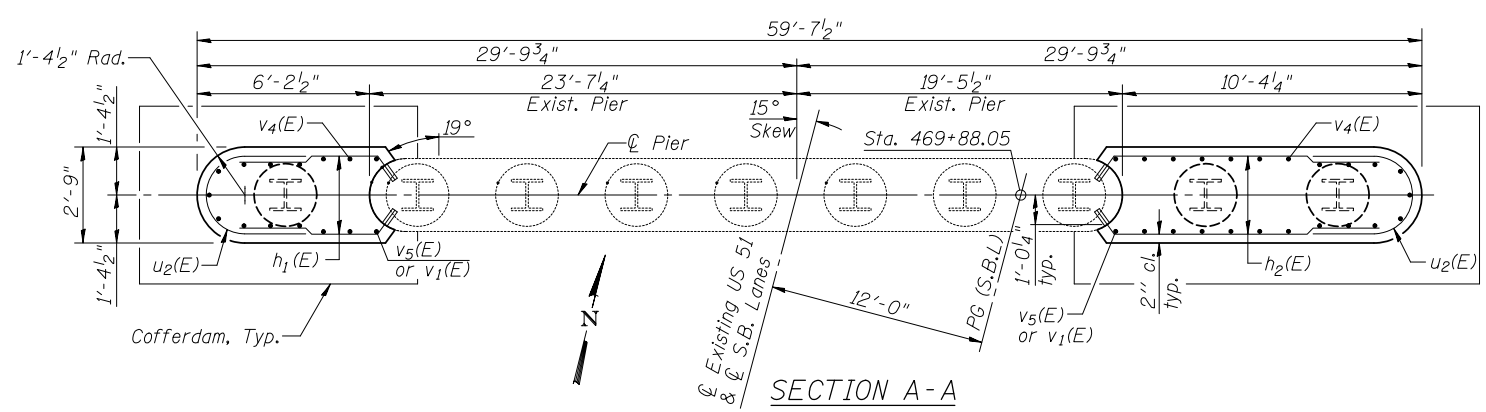
TOP PLAN



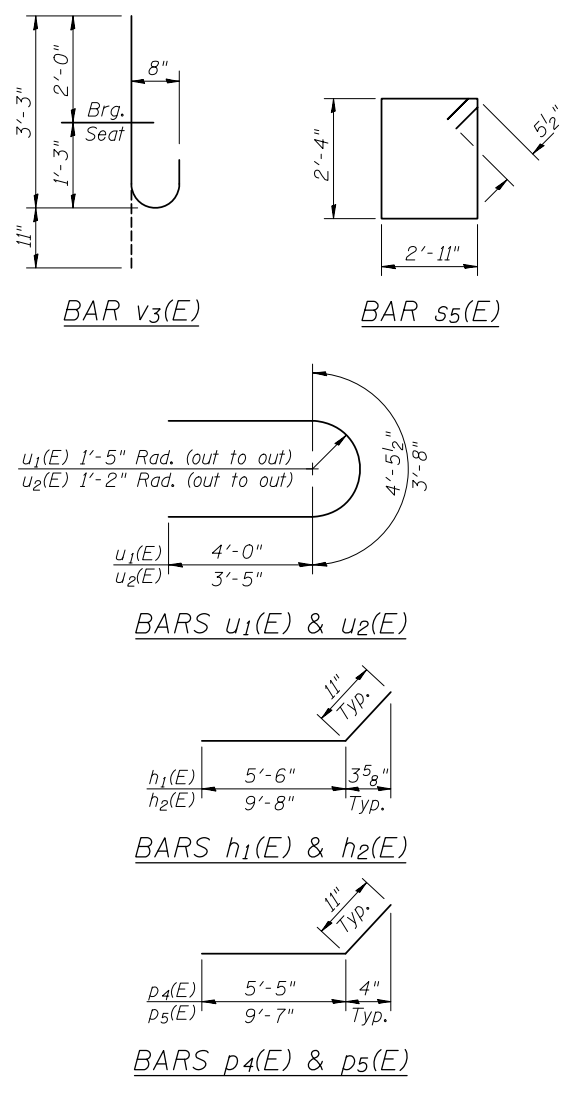
END VIEW



ELEVATION
(Looking North)



SECTION A-A



BILL OF MATERIAL

Bar	No.	Size	Length	Shape
h ₁ (E)	32	#5	6'-5"	—
h ₂ (E)	32	#5	10'-7"	—
h ₃ (E)	4	#5	9'-8"	—
h ₄ (E)	4	#5	5'-6"	—
p ₄ (E)	8	#7	6'-4"	—
p ₅ (E)	8	#7	10'-6"	—
s ₅ (E)	16	#5	11'-5"	□
u ₁ (E)	8	#6	12'-6"	U
u ₂ (E)	36	#5	10'-6"	U
v ₁ (E)	4	#5	4'-4"	—
v ₃ (E)	14	#8	4'-2"	—
v ₄ (E)	34	#5	19'-9"	—
v ₅ (E)	4	#5	17'-4"	—
v ₆ (E)	4	#8	2'-9"	—
Structure Excavation			Cu. Yd.	6
Concrete Structures			Cu. Yd.	35.6
Reinforcement Bars, Epoxy Coated			Pound	2,620
Furnishing Steel Piles HP12x53			Foot	207
Driving Piles			Foot	207
Cofferdam (Type 1) (Location - 1)			Each	1

FILE NAME	USER NAME =	DESIGNED ADL	REVISED -
	CHECKED RJP		REVISED -
	PLOT SCALE =	DRAWN RJP	REVISED -
	PLOT DATE =	CHECKED ADL	REVISED -

STATE OF ILLINOIS
 DEPARTMENT OF TRANSPORTATION

PIER #1
 STRUCTURE NO. 011-0037
 SHEET NO. 24 OF 34 SHEETS

F.A.P. RTE.	SECTION	COUNTY	TOTAL SHEETS	SHEET NO.
322	11-10	CHRISTIAN	437	224
CONTRACT NO. 72961				