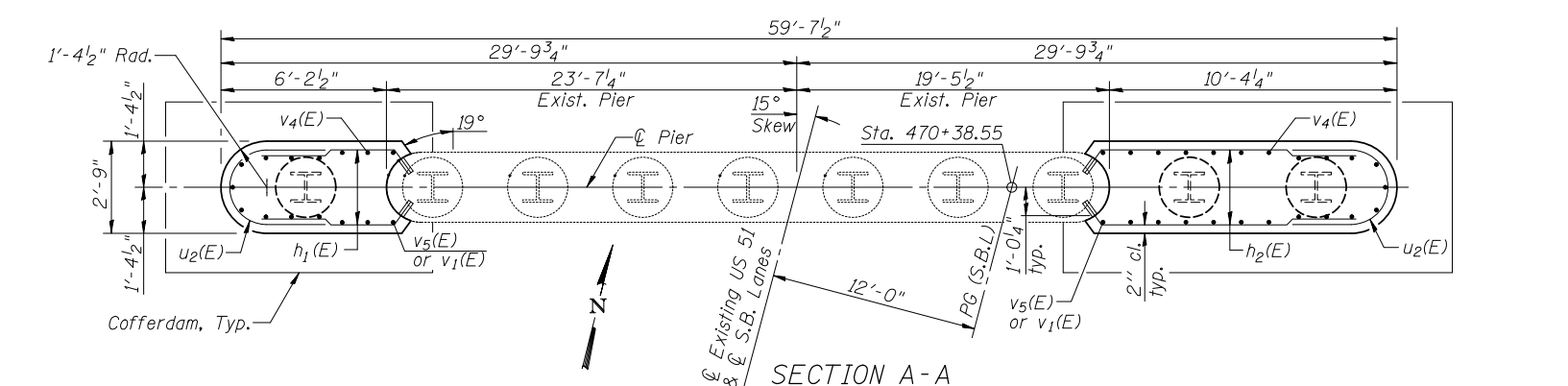
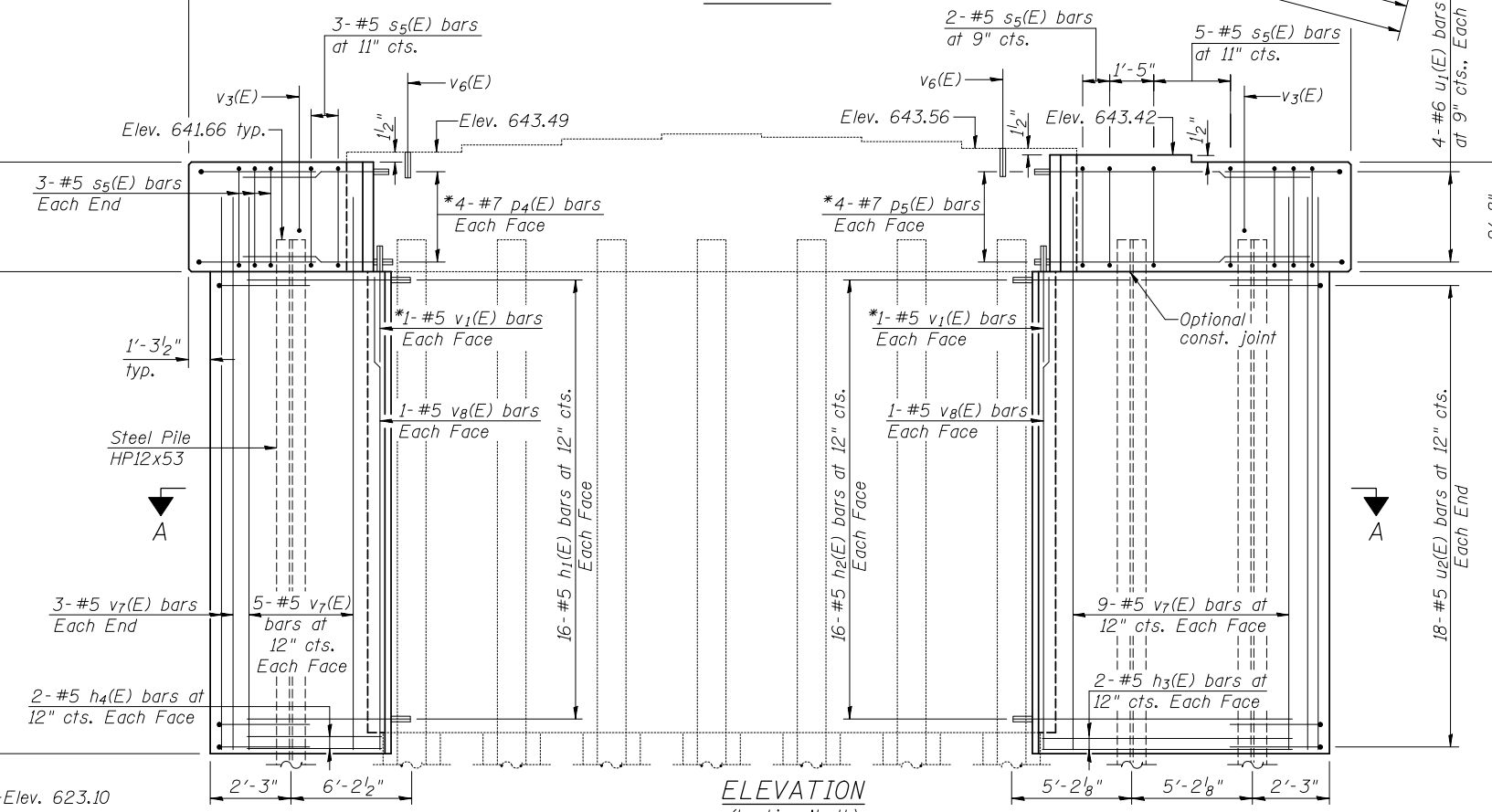
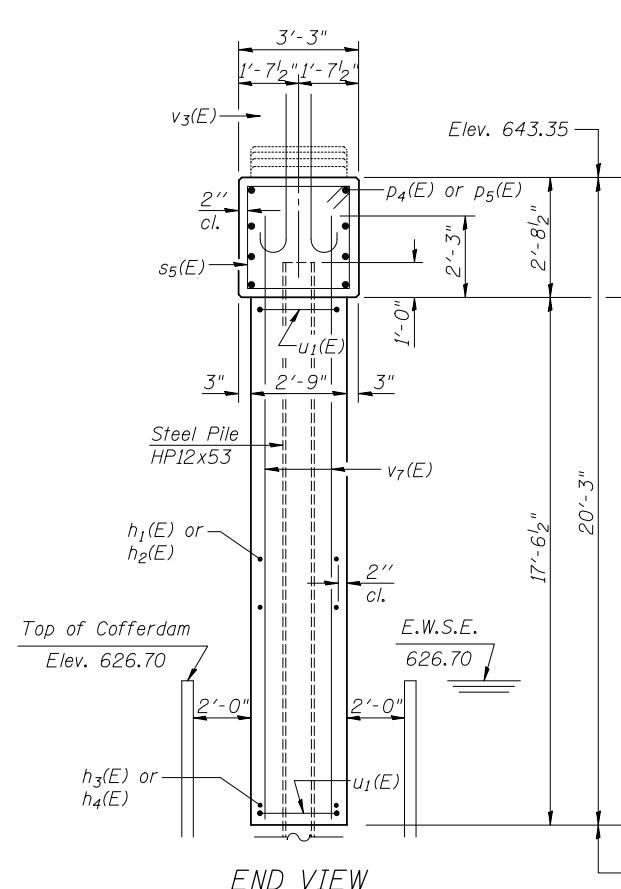
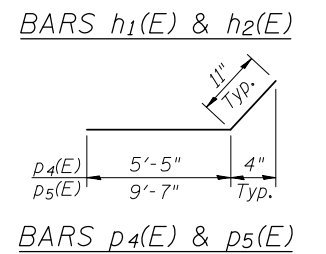
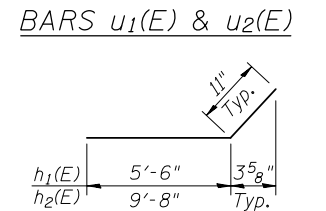
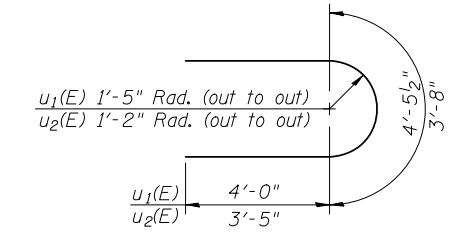
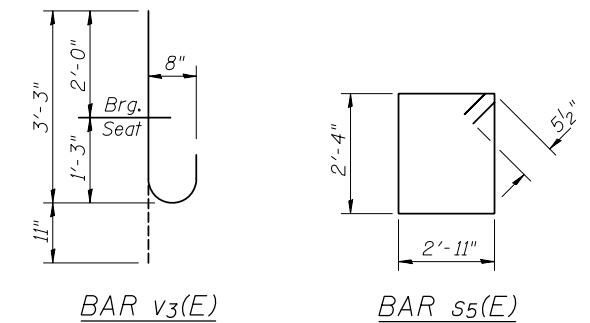
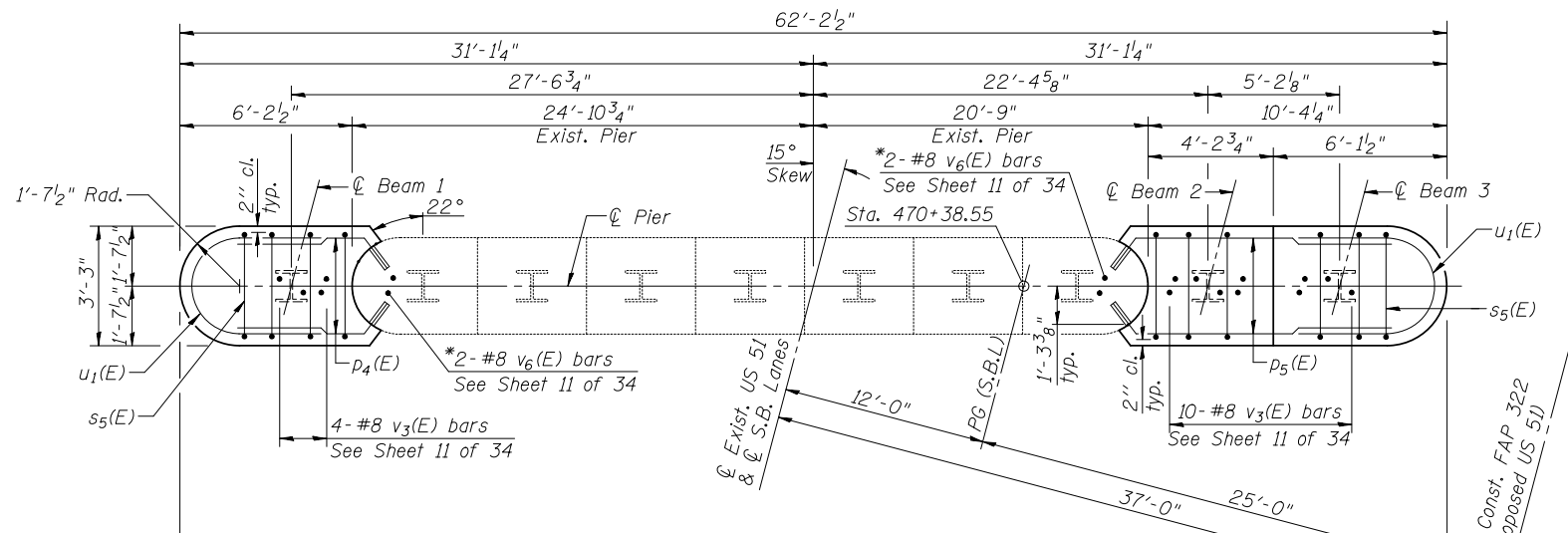


Notes:
 Four steps monolithically with cap.
 For details of piles, see sheet 27 of 34.

PILE DATA

Type: Steel HP 12x53
 Nominal Required Bearing: 419 Kips/Pile
 Factored Resistance Available: 209 Kips/Pile
 Est. Length: 65 Ft./Pile
 No. Production Piles: 3



BILL OF MATERIAL

Bar	No.	Size	Length	Shape
h1(E)	32	#5	6'-5"	—
h2(E)	32	#5	10'-7"	—
h3(E)	4	#5	9'-8"	—
h4(E)	4	#5	5'-6"	—
p4(E)	8	#7	6'-4"	—
p5(E)	8	#7	10'-6"	—
s5(E)	16	#5	11'-5"	□
u1(E)	8	#6	12'-6"	U
u2(E)	36	#5	10'-6"	U
v1(E)	4	#5	4'-4"	—
v3(E)	14	#8	4'-2"	U
v6(E)	4	#8	2'-9"	—
v7(E)	34	#5	19'-7"	—
v8(E)	4	#5	17'-2"	—
Cofferdam Excavation			Cu. Yd.	6
Concrete Structures			Cu. Yd.	35.2
Reinforcement Bars, Epoxy Coated			Pound	2,610
Furnishing Steel Piles HP12x53			Foot	195
Driving Piles			Foot	195
Cofferdam (Type 1) (Location - 2)			Each	1

FILE NAME	USER NAME =	DESIGNED ADL	REVISED -
	CHECKED RJP		REVISED -
	PLOT SCALE =	DRAWN RJP	REVISED -
	PLOT DATE =	CHECKED ADL	REVISED -

**STATE OF ILLINOIS
 DEPARTMENT OF TRANSPORTATION**

**PIER #2
 STRUCTURE NO. 011-0037**

SHEET NO. 25 OF 34 SHEETS

F.A.P. RTE.	SECTION	COUNTY	TOTAL SHEETS	SHEET NO.
322	11-10	CHRISTIAN	437	225
CONTRACT NO. 72961				
ILLINOIS FED. AID PROJECT				
Klingner & Associates P.C.				