

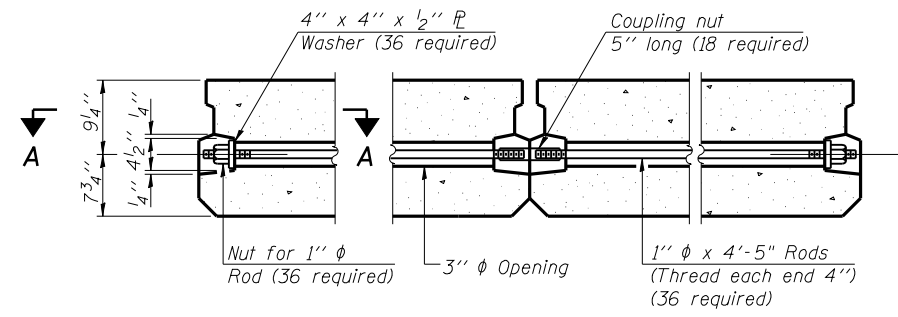
FABRIC BEARING PAD
(Interior)

FABRIC BEARING PAD
(Exterior)

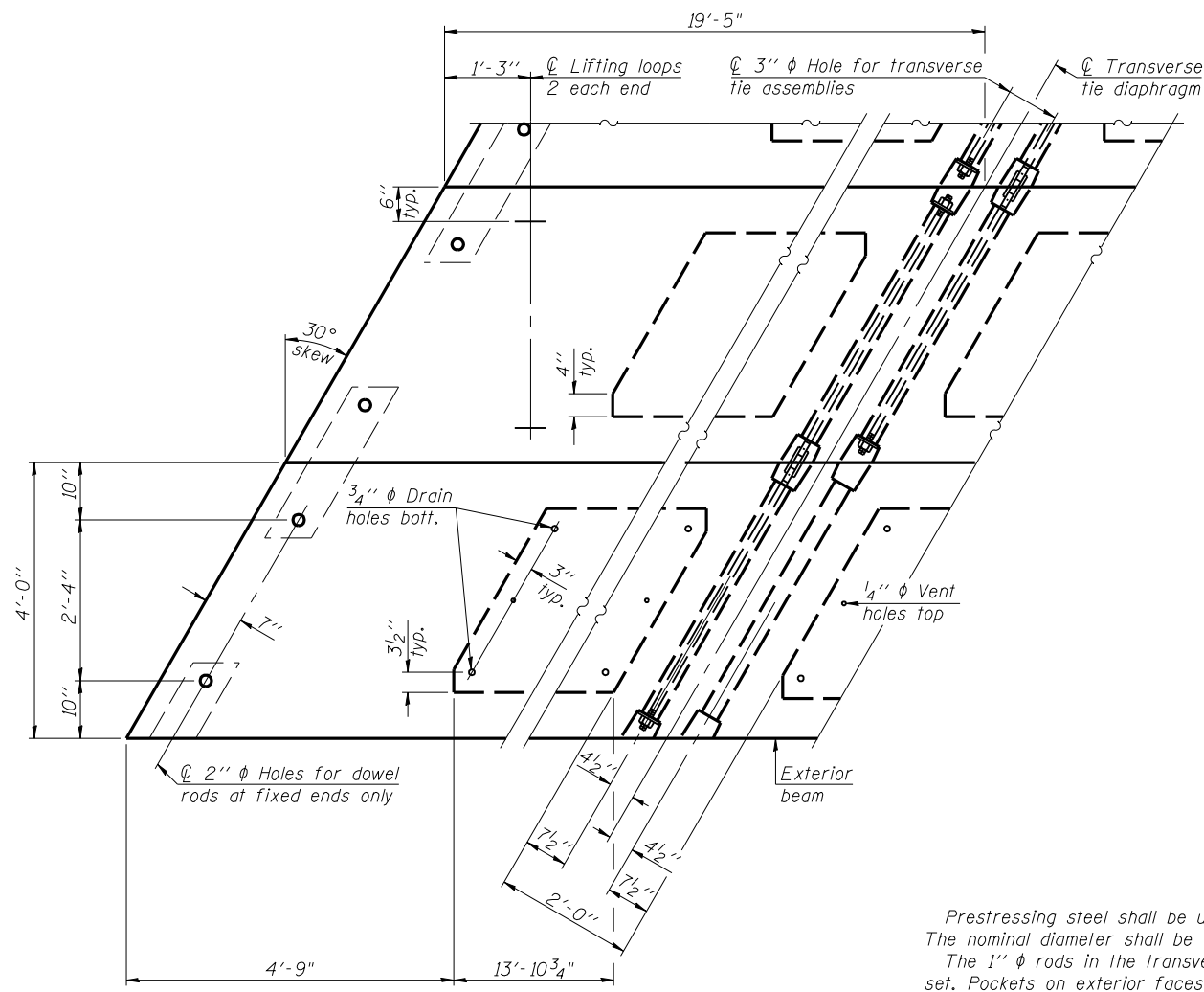
FIXED

SECTION A-A

Note:
All bearing pads shall be 1" thick.

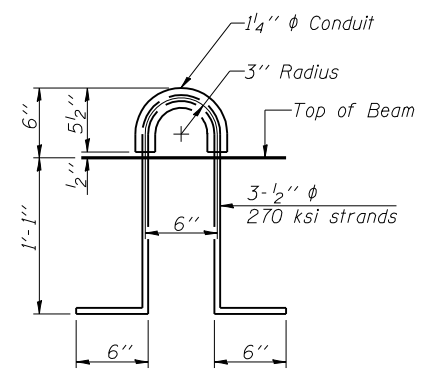
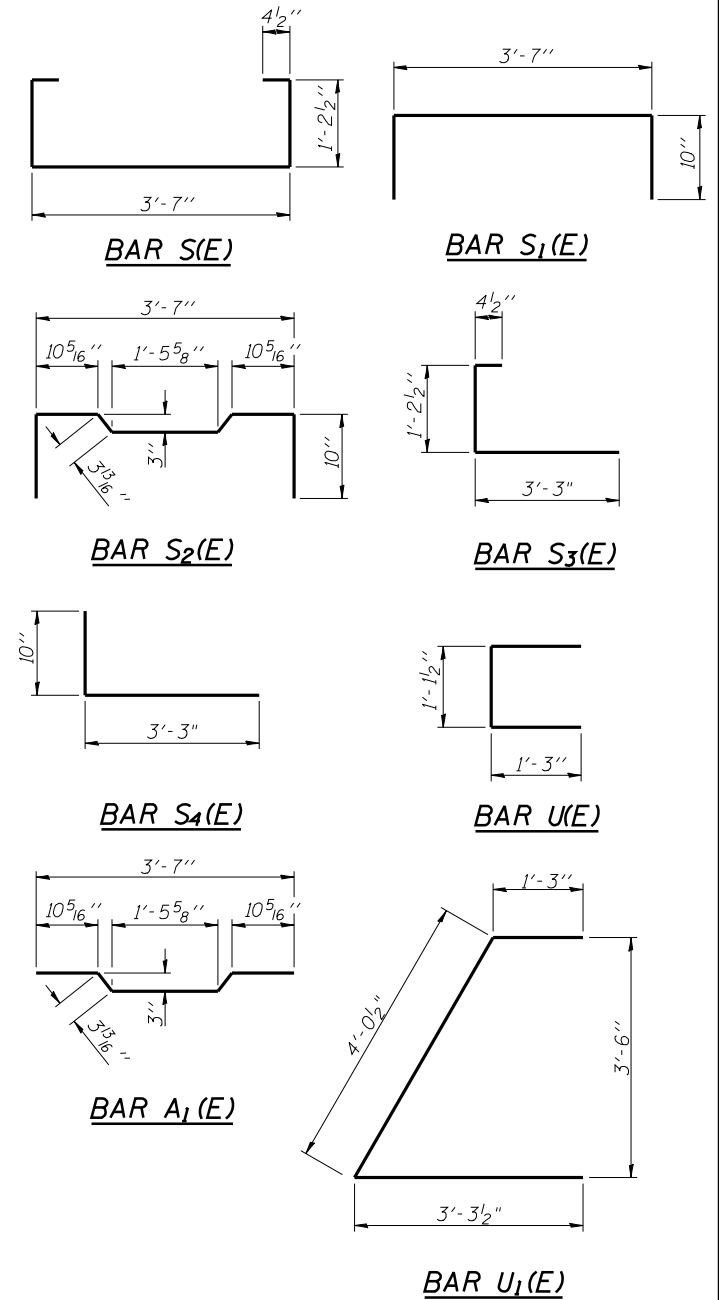


TYPICAL TRANSVERSE TIE ASSEMBLY



PLAN VIEW

Note: Connect beams in pairs with the transverse tie configuration shown.



LIFTING LOOP DETAIL

NOTES

Prestressing steel shall be uncoated high strength, low relaxation 7-wire strand, Grade 270. The nominal diameter shall be 1/2" and the nominal cross-sectional area shall be 0.153 sq. in. The 1" rods in the transverse tie assembly shall be tightened to a snug fit and the threads set. Pockets on exterior faces of bridge shall be filled with grout after transverse tie assembly is in place. Two 1/8" fabric adjusting shims of the dimensions of the exterior bearing pad shall be provided for each bearing pad location. A minimum 2 1/2" diameter lifting pin shall be used to engage the lifting loops during handling. Corrosion Inhibitor, per Article 1020.05(b)(12) and 1021.06 of the Standard Specifications, shall be used in the concrete for precast prestressed concrete deck beams. Compressive strength of prestressed concrete, f'c, shall be 6000 psi. Compressive strength of prestressed concrete at release, f'ci, shall be 5000 psi. See sheet 6 of 16 for Rail Anchor details. See sheet 2 of 16 for location of Rail Anchors.

BILL OF MATERIAL

Precast Prestressed Conc. Deck Bms. (17" depth)	Sq. Ft.	3262
---	---------	------

PD-1748-LD

7-1-10



USER NAME =	DESIGNED - MTH	REVISED -
FILE NAME =	CHECKED - TBP	REVISED -
PLOT SCALE =	DRAWN - AJF	REVISED -
PLOT DATE =	CHECKED - MTH	REVISED -

STATE OF ILLINOIS
DEPARTMENT OF TRANSPORTATION

17" x 48" PPC DECK BEAM DETAILS
STRUCTURE NO. 011-3362

SHEET NO. 11 OF 16 SHEETS

F.A.P. RTE. 322	SECTION 11-13	COUNTY CHRISTIAN	TOTAL SHEETS 437	SHEET NO. 245
			CONTRACT NO. 72961	

ILLINOIS FED. AID PROJECT