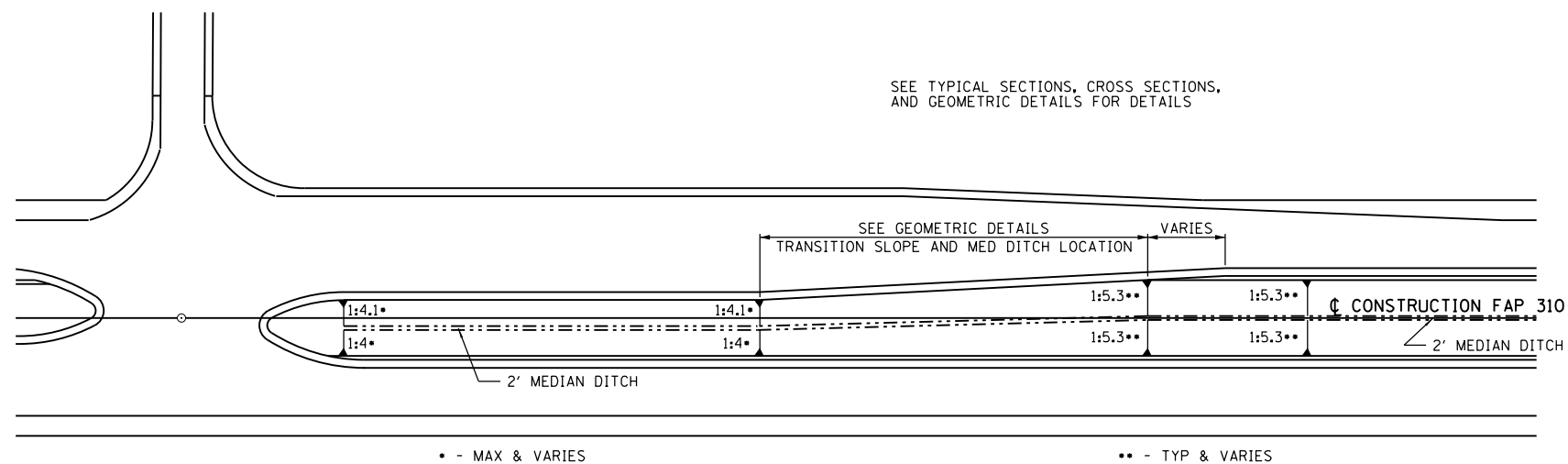
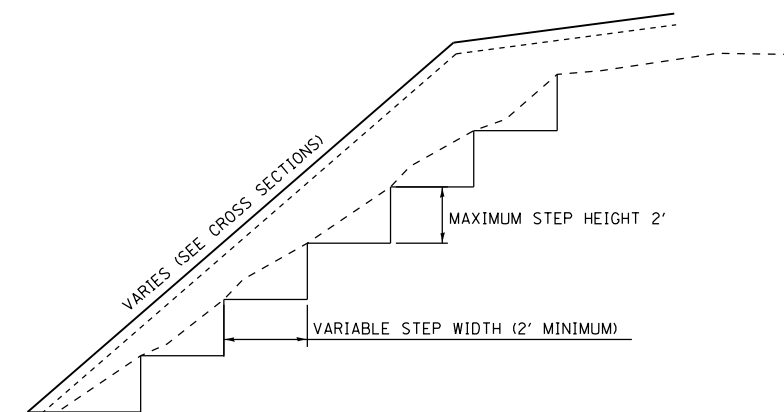


F.A.P. RTE.	SECTION	COUNTY	TOTAL SHEETS	SHEET NO.
322	11-13	CHRISTIAN	437	288
STA.		TO STA.		
FED. ROAD DIST. NO.	ILLINOIS	FED. AID PROJECT		



MEDIAN DITCH TRANSITION

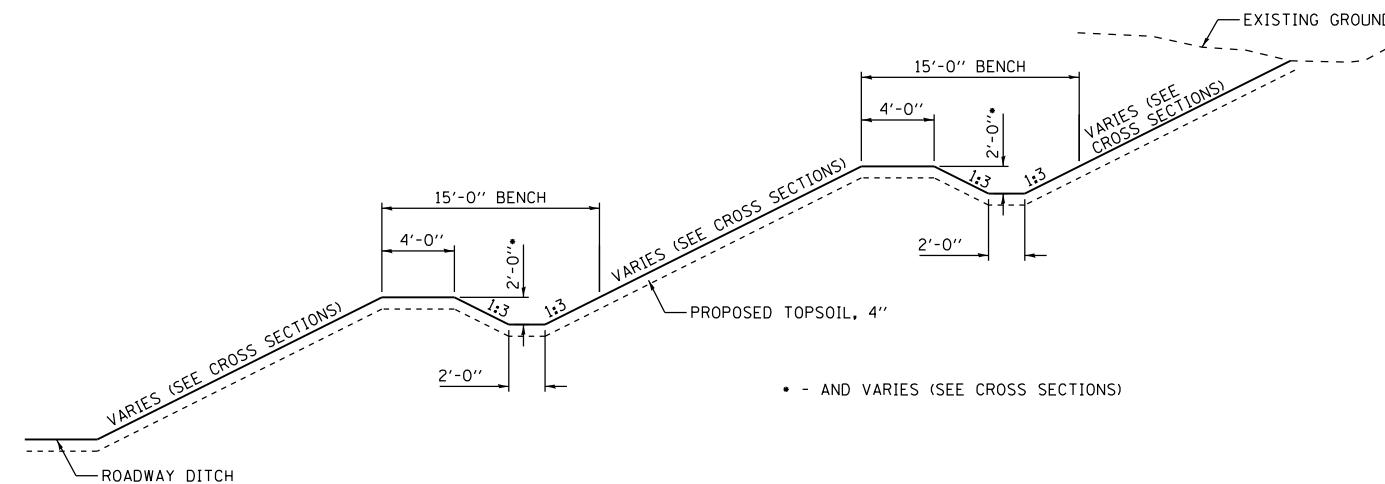
NOT TO SCALE



NOTE: THIS DETAIL SHALL BE APPLIED TO SIDESLOPE FILLS WHERE THE EXISTING SLOPE IS STEEPER THAN 1:3.

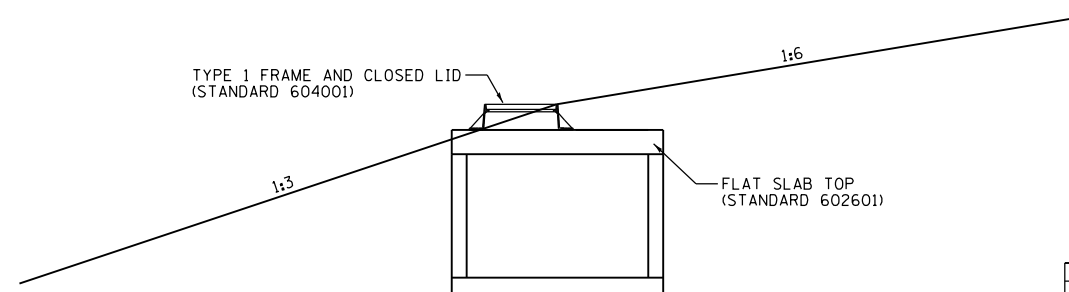
TYPICAL FILLSLOPE STEPPING DETAIL

NOT TO SCALE



TYPICAL BENCH DITCH IN BACKSLOPES

NOT TO SCALE
SEE CROSS SECTIONS & PROFILES FOR EXACT LOCATIONS



TYPICAL GRADING FOR MANHOLE WITH TYPE 1 FRAME & CLOSED LID

NOT TO SCALE
SEE CROSS SECTIONS & PROFILES FOR EXACT LOCATIONS

REVISIONS	
NAME	DATE

ILLINOIS DEPARTMENT OF TRANSPORTATION
MISCELLANEOUS DETAILS - FAP 322 (US 51) SECTION 11-13 CHRISTIAN COUNTY
SCALE: None DRAWN BY EBB
DATE CHECKED BY

10/5/2012

D:\01\Files\010325\1 SOUTH PLANS NEW\CAD\ Sheets\06\2881-ant-detail1805.dgn