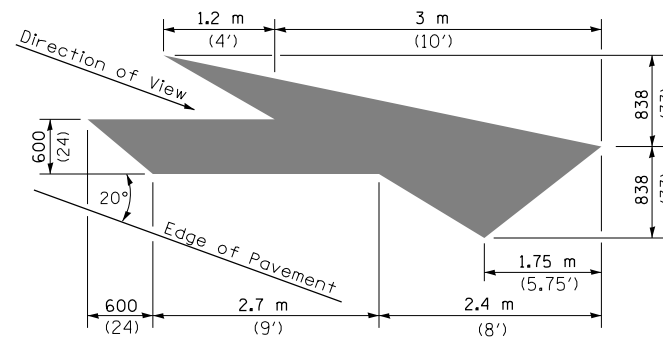


WORD AND ARROW LAYOUT

a	Legend Height	Arrow Size	a
	1.8 m (6')	Small	74 (2.9)
	2.4 m (8')	Large	96 (3.8)

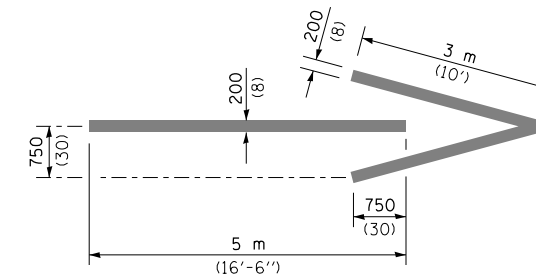
The space between adjacent letters or numerals should be approximately 75 (3) for 1.8 m (6') legend and 100 (4') for 2.4 m (8') legend.

LETTER AND ARROW GRID SCALE



LANE DROP ARROW

Right lane drop arrow shown.
Use mirror image for left lane.



WRONG WAY ARROW

All dimensions are in millimeters (inches) unless otherwise shown.

FILE NAME =	USER NAME = sparksgw	DESIGNED -	REVISED -
c:\pw\work\p1dot\sparksgw\1d0309492\780001a.dgn		DRAWN - CADD	REVISED -
Default 780001A.DGN	PLOT SCALE = 40.0000' / in.	CHECKED -	REVISED -
	PLOT DATE = Oct-18-2012 02:47:04PM	DATE -	REVISED -

STATE OF ILLINOIS
DEPARTMENT OF TRANSPORTATION

TYPICAL PAVEMENT
MARKINGS

SCALE: SHEET OF SHEETS STA. TO STA.

F.A. RTE.	SECTION	COUNTY	TOTAL SHEETS	SHEET NO.
VAR	**	*	45	45
			CONTRACT NO. 72F58	

••D6 PAVEMENT MARKING 2013

• ADAMS, HANCOCK, & PIKE