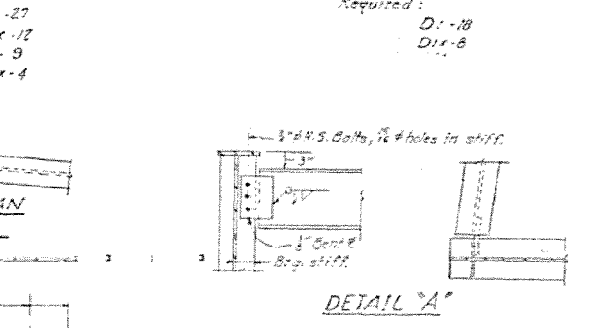
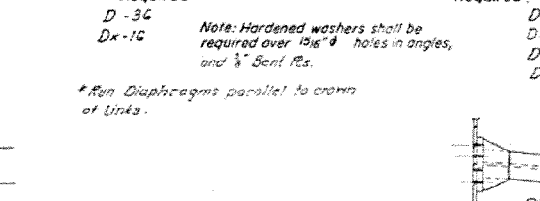
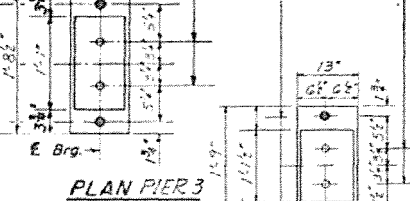
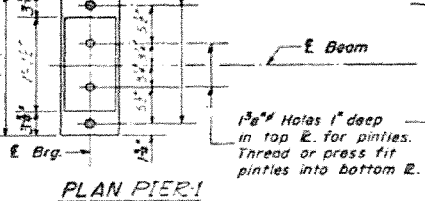
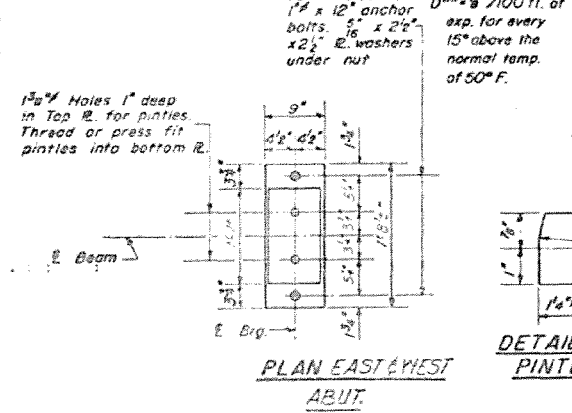
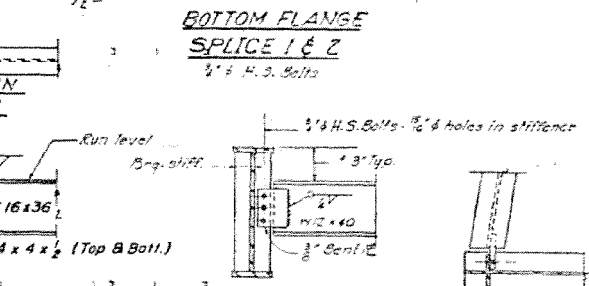
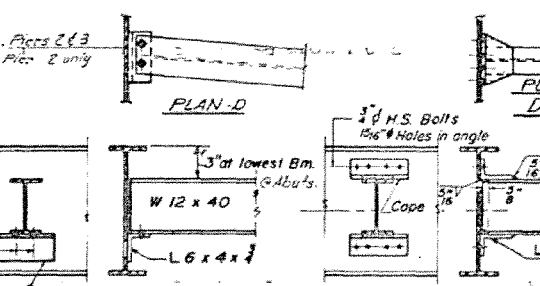
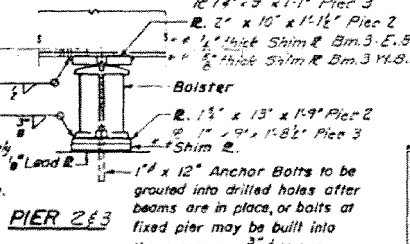
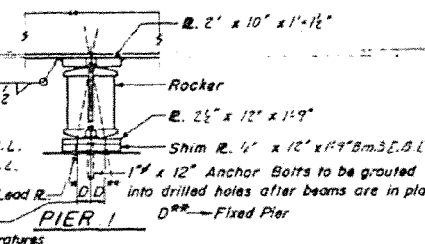
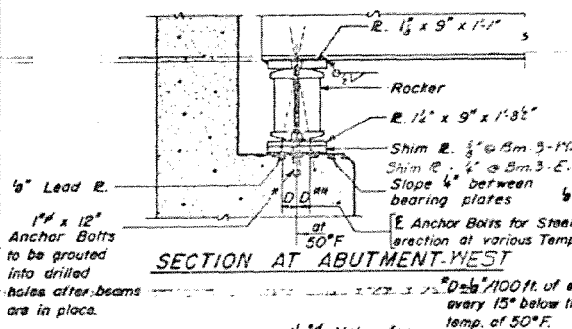
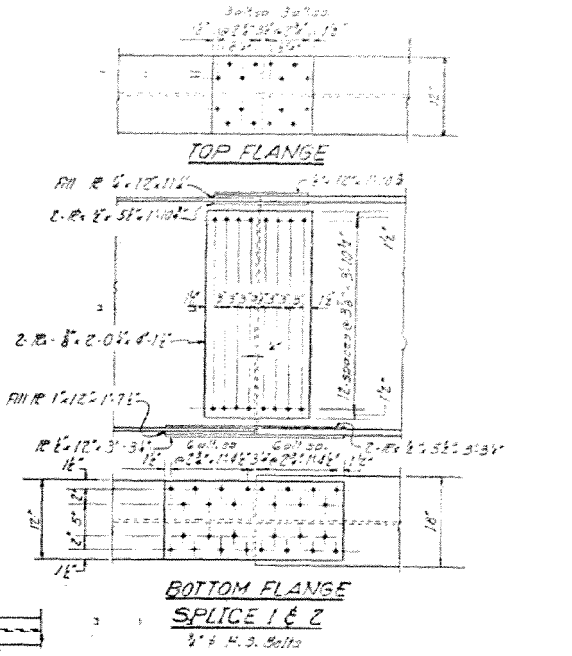
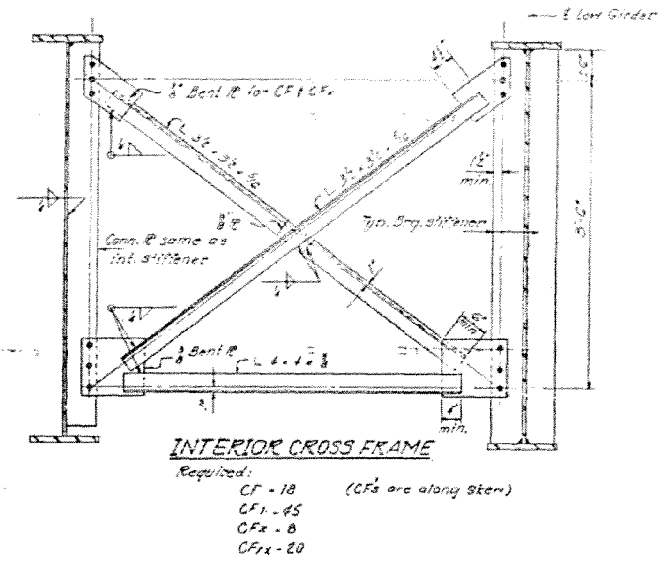
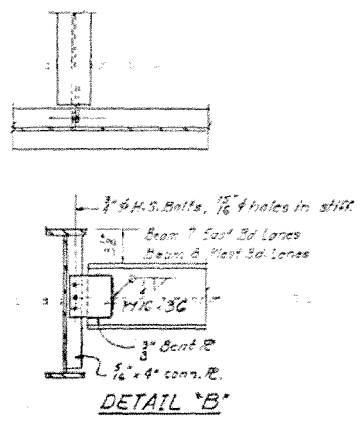
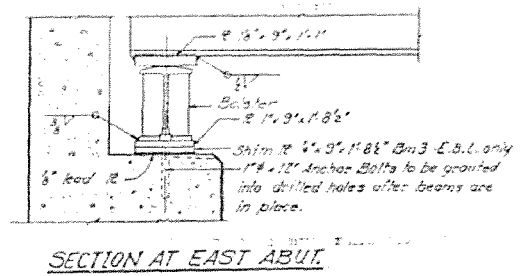
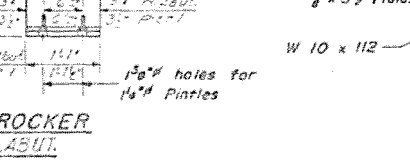
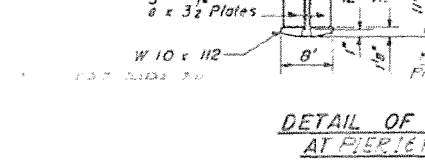


STATE OF ILLINOIS
DEPARTMENT OF TRANSPORTATION

PROJECT NO.	SECTION	DATE	NO.	SHEET NO.
30700	MAJOR	107	23	23
SHEETS				



DESIGNED	EXAMINED
CHECKED	PASSED
DRAWN	APPROVED
CHECKED	GREEN SECRETARY, CHIEF ENGINEERING ENGINEER



STRUCTURAL STEEL DETAILS
F.A. RT. 412 SEC. 28-2011/8-1
MACON COUNTY
STA. 235+00.75

I-2 4-15-73