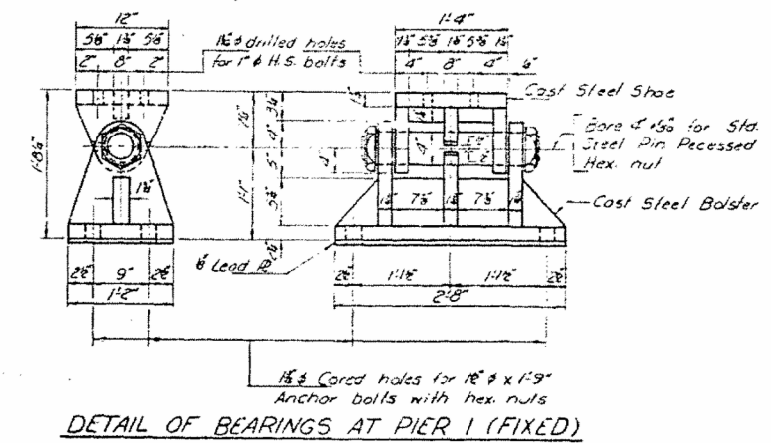
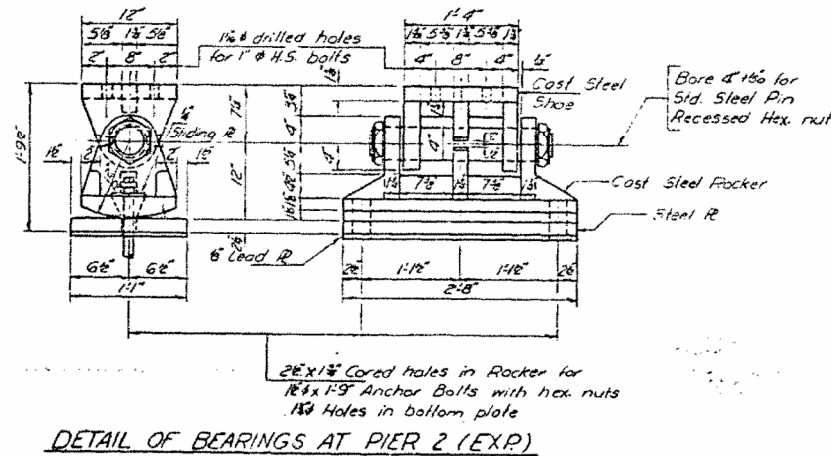
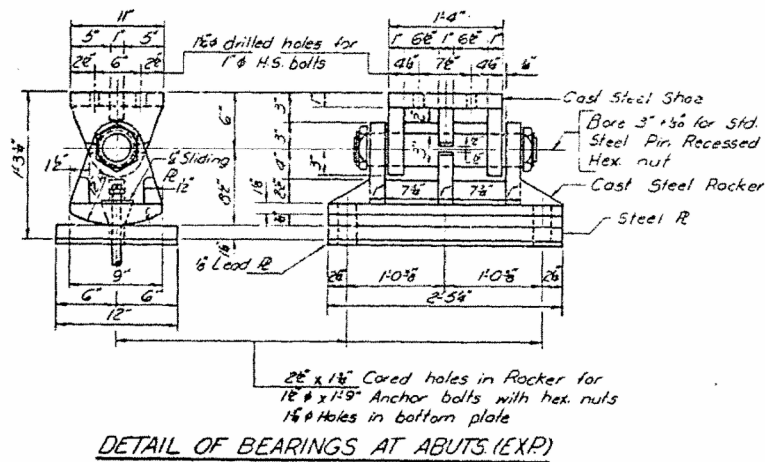
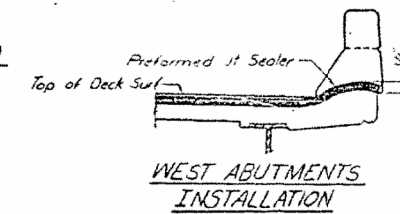
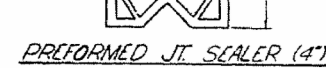
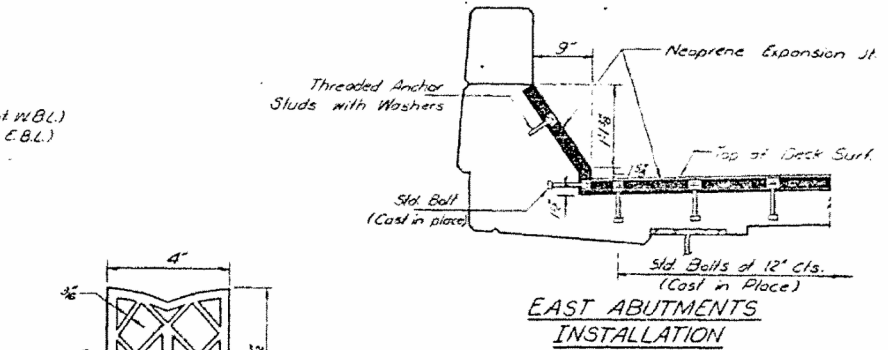
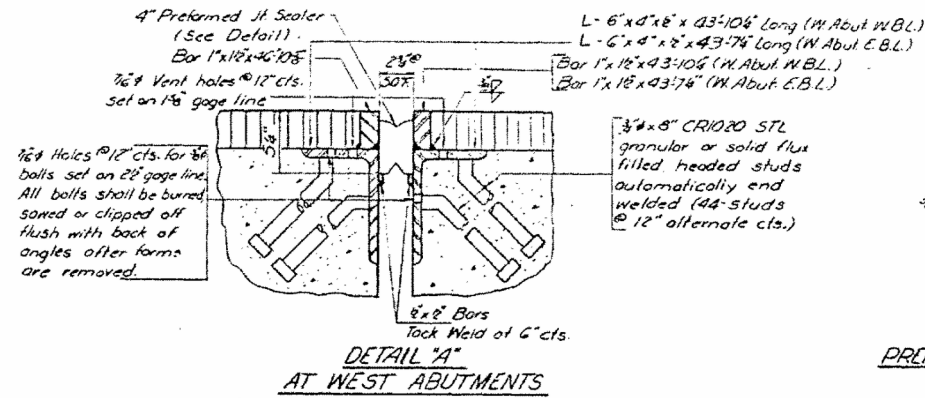
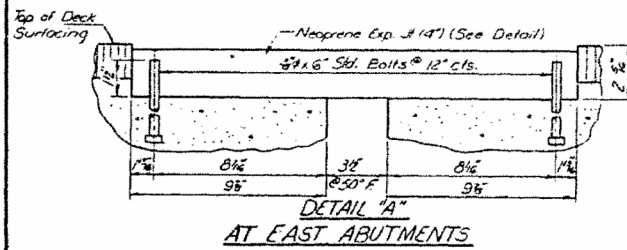
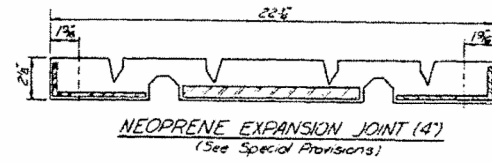


STATE OF ILLINOIS
DEPARTMENT OF TRANSPORTATION

PROJECT NO.	SECTION	SHEET NO.	TOTAL SHEETS
58-66	3	MACON 50 23	33 SHEETS



DESIGNED *Stanley S. Lin*
CHECKED *R. D. Doly*
DRAWN *R. Doly*
CHECKED *R. Doly*

EXAMINED *Richard H. Hoelsterman*
PASSED *Richard H. Hoelsterman*

FEB 21 10 13

EXPANSION DEVICES
AND BEARING DETAILS
EAST AND WEST BOUND LANES
F.A.I. RT. 72 SEC. 38-66B
MACON COUNTY
STA. 721+12.00

FILE NAME =	USER NAME = steffennk	DESIGNED -	REVISED -
et:\pw_work\p1dot\stefennk\d0307287\074580-sht-plan.dgn		DRAWN -	REVISED -
Default	PLOT SCALE = 100.0000' / in.	CHECKED -	REVISED -
	PLOT DATE = 10/23/2012	DATE -	REVISED -

STATE OF ILLINOIS
DEPARTMENT OF TRANSPORTATION

EXISTING STRUTURE PLAN	
SCALE: NA	SHEET 19 OF 23 SHEETS STA. TO STA.

F.A. RTE.	SECTION	COUNTY	TOTAL SHEETS	SHEET NO.
	..	MACON	27	23
CONTRACT NO. 74580				
ILLINOIS FED. AID PROJECT				

• VARIOUS ROUTES
• D7 BRIDGE PAINTING 2013-2