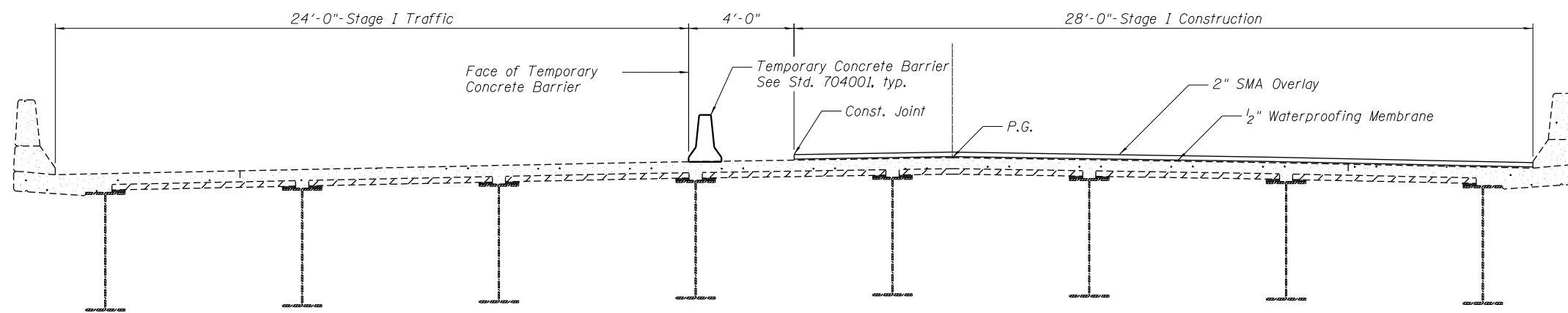


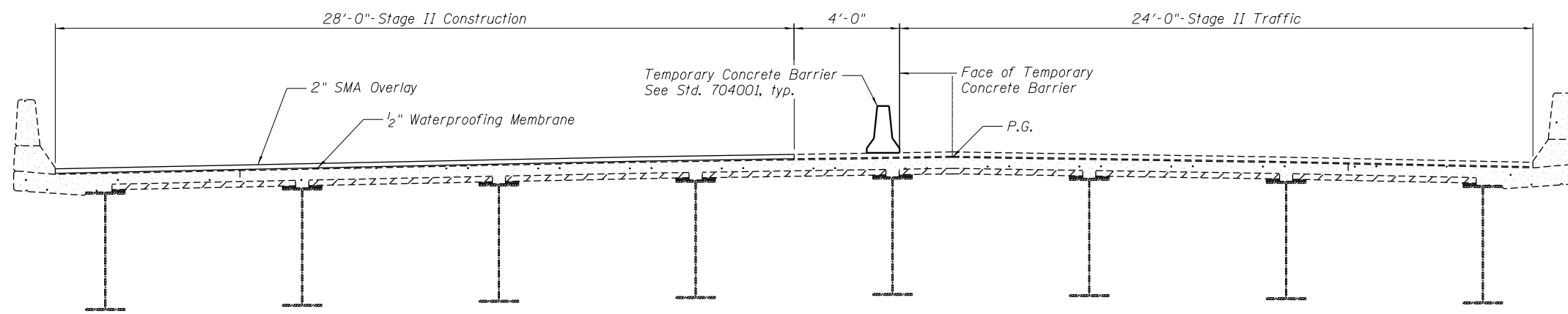
EXISTING CROSS SECTION

NB Rdway Looking North



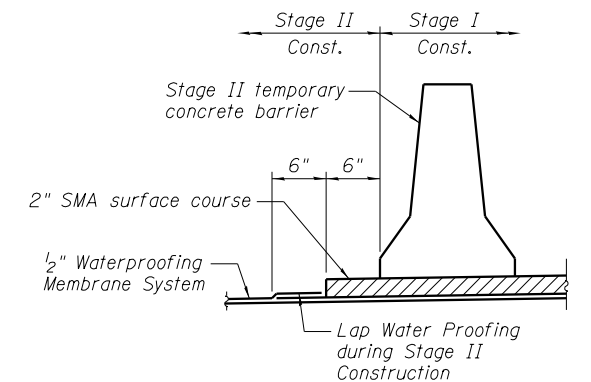
STAGE I CONSTRUCTION

NB Rdway Looking North



STAGE II CONSTRUCTION

NB Rdway Looking North



WATERPROOFING STAGING TYPICAL DETAIL

10:07:20 PM - G:\CHIN\013\Bridges\CADD\060-0214\0253\0600214-76A89-02-Stage_Constr_NB.dgn
 8/24/2012

FILE NAME = 0600214-76A89-02-Stage_Constr_NB.dgn



USER NAME = DMGoias	DESIGNED - WKE	REVISED -
CHECKED - FMS	REVISIONS -	
PLOT SCALE = 5/4" = 1'	DRAWN - DMG	REVISED -
PLOT DATE = 8/24/2012	CHECKED - SIXZ	REVISED -

**STATE OF ILLINOIS
DEPARTMENT OF TRANSPORTATION**

**STAGE CONSTRUCTION NORTHBOUND
STRUCTURE NO. 060-0214 NB**

SHEET NO. 2 OF 16 SHEETS

F.A.I. RTE.	SECTION	COUNTY	TOTAL SHEETS	SHEET NO.
255	60-(7,8) RS-2	MADISON	261	229
			CONTRACT NO. 76A89	
ILLINOIS FED. AID PROJECT				