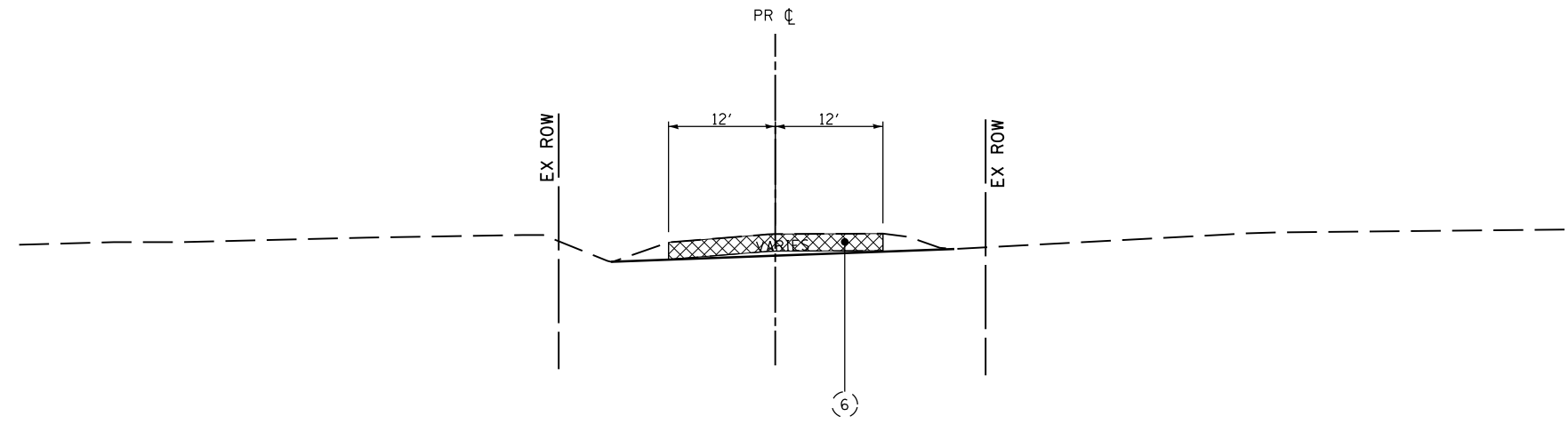


- OR AS SHOWN ON CROSS SECTIONS
- SLOPE SHALL NOT EXCEED MAXIMUM SHOULDER ROLLOVER
- SUBBASE THICKNESS VARIES UNDER SHOULDER; SEE STD 482001



EXISTING VANDEBROOK DRIVE

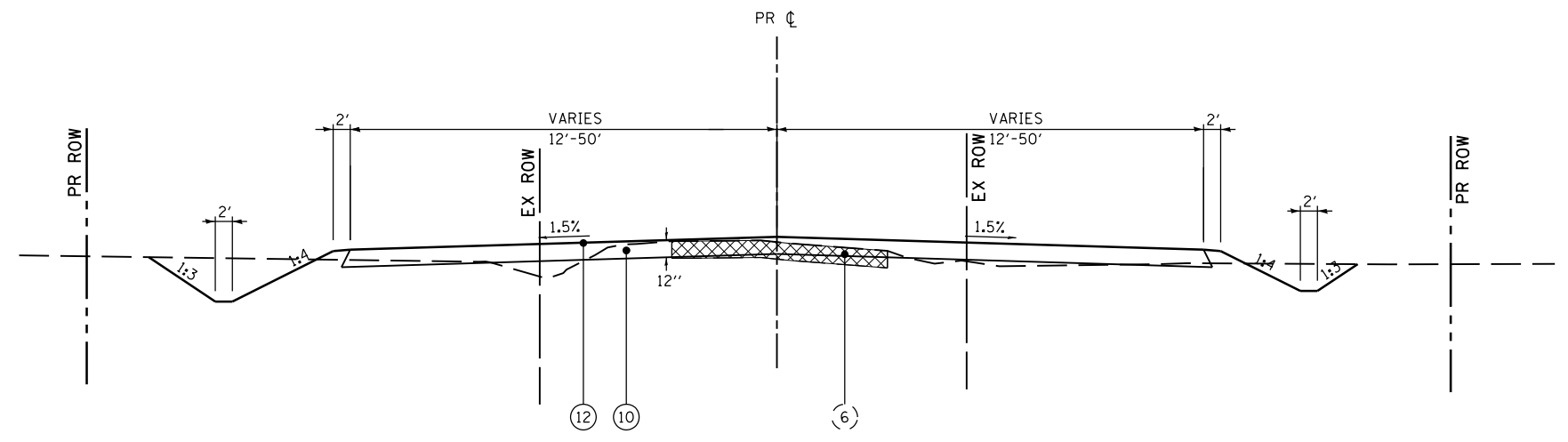
STA 60+13.17 TO STA 65+49.97
STA 73+15.68 TO STA 75+35.00

LEGEND

- (1) EXISTING HMA PAVEMENT 13-3/4"
- (2) EXISTING HMA SHOULDERS 8"
- (3) EXISTING SUBBASE GRANULAR MATERIAL
- (4) EXISTING LIME STABILIZED SOIL 12"
- (5) EXISTING PIPE UNDERDRAIN
- (6) EXISTING OIL & CHIP PAVEMENT

- (1) PROPOSED POLYMERIZED HMA SURFACE COURSE, MIX "D", N90
- (2) PROPOSED POLYMERIZED HMA BINDER COURSE, MIX "D", N90
- (3) PROPOSED HMA BINDER COURSE, IL 19.0 FG, N90
- (4) PROPOSED HMA BASE COURSE, 6 3/4"
- (5) PROPOSED HMA BASE COURSE, 8 3/4"
- (6) PROPOSED HMA SURFACE COURSE, MIX "C", N50 (3")
- (7) PROPOSED HMA SHOULDER 6"
- (8) PROPOSED HMA SHOULDER 8"
- (9) PROPOSED AGGREGATE WEDGE SHOULDER, TYPE B
- (10) PROPOSED SUBBASE GRANULAR MATERIAL, TYPE A
- (11) PROPOSED AGGREGATE SURFACE COURSE, TYPE A 8"
- (12) BITUMINOUS SURFACE TREATMENT A-3
- (13) PROPOSED PCC SIDEWALK 4"
- (14) PROPOSED PIPE UNDERDRAINS
- (15) PROPOSED STRIP REFLECTIVE CRACK CONTROL
- (16) HMA SURFACE REMOVAL, 1"
- (17) PROPOSED HMA SURFACE REMOVAL, 2"

XXXX TO BE REMOVED



EXISTING VANDEBROOK ROAD

STA 65+49.97 TO STA 66+82.68

LAST SAVED = 10/3/2012 10:24:41 AM
 PEN TABLE = 10244141
 PLOT DRIVER = pdfplotlayers.pltcf9

FILE NAME = I:\1001100\Phase II - 76F51\Cad\T\Plans\04_0876F51-sht-typical.dgn	USER NAME = jepettibone	DESIGNED -	REVISED -
		DRAWN -	REVISED -
	PLOT SCALE = 20.0000' / in.	CHECKED -	REVISED -
	PLOT DATE = 10/4/2012 5:10:21 PM	DATE -	REVISED -

**STATE OF ILLINOIS
DEPARTMENT OF TRANSPORTATION**

**HORNER &
SHIFRIN, INC.
ENGINEERS**

SCALE: NONE

TYPICAL SECTIONS	
EXISTING VANDEBROOK DRIVE	
SHEET NO. 7 OF 7 SHEETS	STA. TO STA.

F.A.U. RTE. 9324	SECTION 68-R-1	COUNTY MONROE	TOTAL SHEETS 192	SHEET NO. 22
CONTRACT NO. 76F51				
ILLINOIS FED. AID PROJECT				