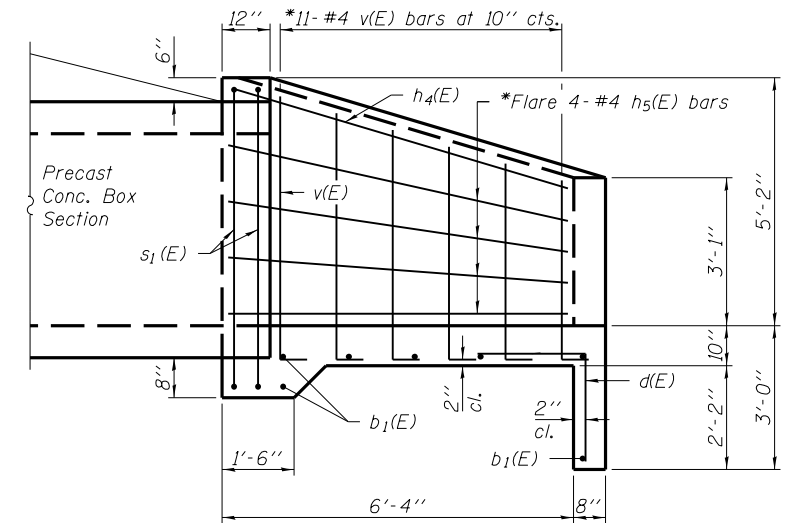
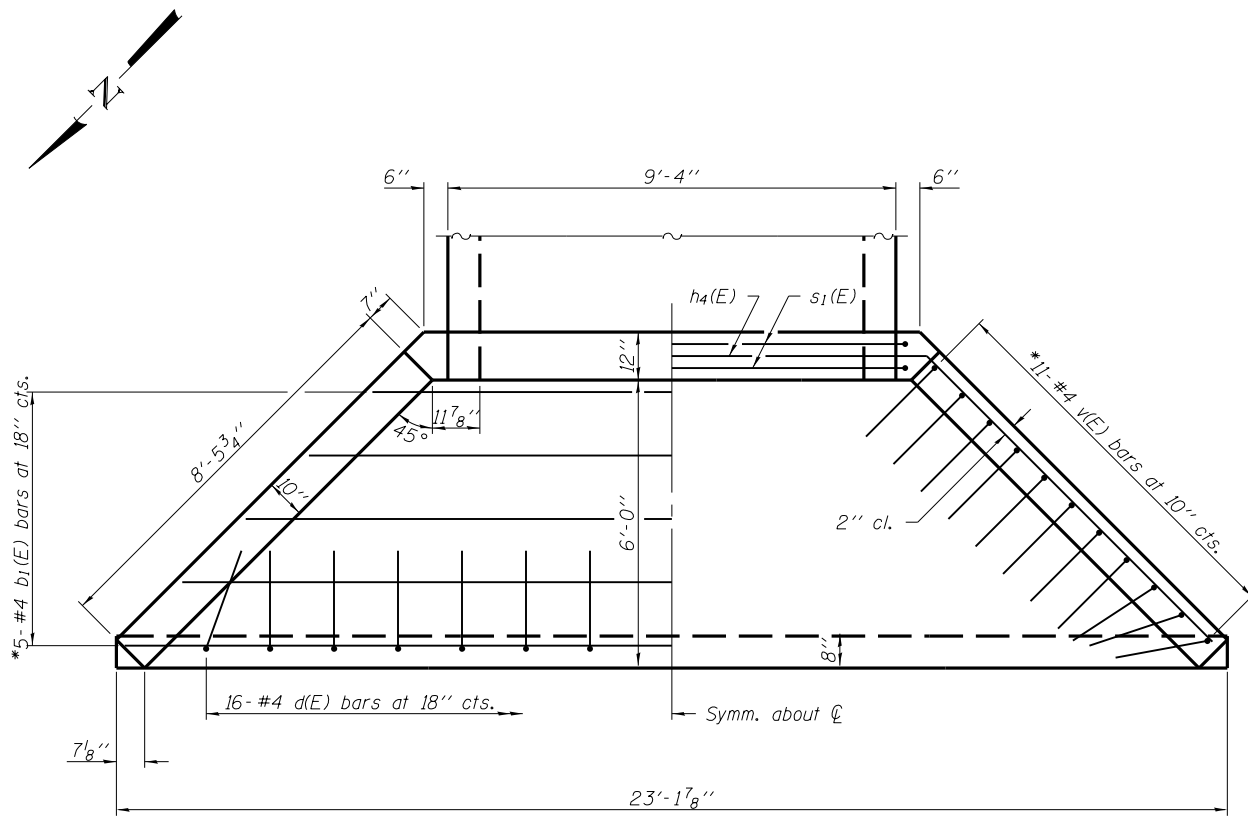


END ELEVATION

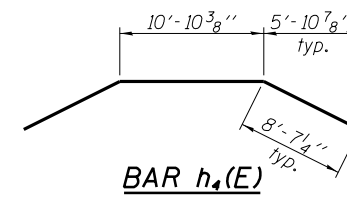


HALF SIDE ELEVATION

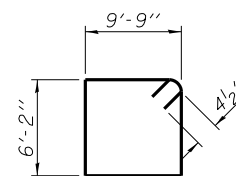
* Cut or Bend to fit



PLAN



BAR h₄(E)



BAR s₁(E)

BILL OF MATERIAL

Bar	No.	Size	Length	Shape
b ₁ (E)	7	#4	22'-10"	—
d(E)	16	#4	5'-4"	┘
h ₄ (E)	1	#4	28'-1"	┘
h ₅ (E)	8	#4	8'-8"	—
s ₁ (E)	2	#4	32'-7"	□
v(E)	22	#4	8'-4"	┘
Reinforcement Bars, Epoxy Coated			Pound	390
Concrete Box Culverts			Cu. Yd.	7.7

Notes:
 Reinforcement bars designated (E) shall be epoxy coated.
 For bar bending diagrams not shown, see sheet 101 of 192.
 For upstream cast-in-place apron end, see sheet 101 of 192.

LAST SAVED = PLASTERUPDATE\$
 PEN TABLE = #PENTRIBLS\$
 PLOT DRIVER = #PLTDIVS\$

FILE NAME =	USER NAME = jepettibone	DESIGNED K.A. Klues	REVISED -
1:\1001100\Phase II - 76F51\Cad\S\Plans\0672428-76F51.dgn		DRAWN K.A. Klues	REVISED -
SSUBTYPES	PLOT SCALE = 0:2.0000 '1' / in.	CHECKED E.M. Lagemann	REVISED -
SSUBDATES	PLOT DATE = 10/4/2012 3:12:55 PM	DATE -	REVISED -

STATE OF ILLINOIS
 DEPARTMENT OF TRANSPORTATION

HORNER &
 SHIRIN, INC.
 ENGINEERS

DOWNSTREAM CAST-IN-PLACE APRON END
 S.N. 067-2428

F.A.U. R.T.E.	SECTION	COUNTY	TOTAL SHEETS	SHEET NO.
9324	68-R-1	MONROE	192	102
CONTRACT NO. 76F51			ILLINOIS FED. AID PROJECT	

SCALE: SHEET NO. 3 OF 3 SHEETS STA. 288+40.76 TO STA. 288+82.45