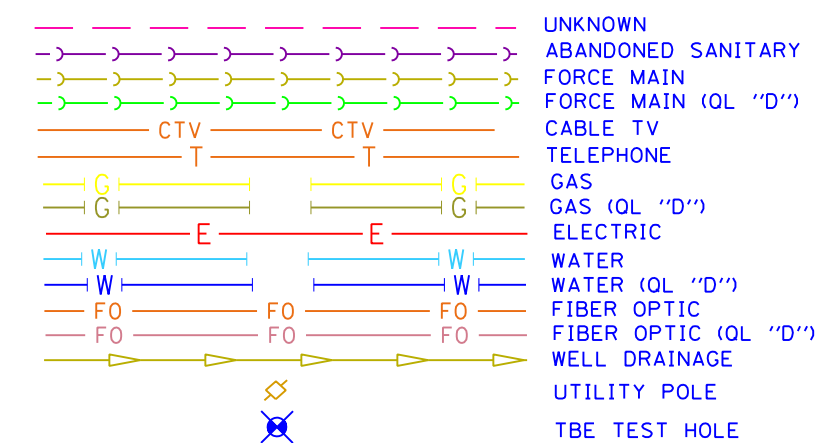


TBE Pole Number	Approximate Location	Identification # on Pole	Utilities Attached to Poles	Utility Owners	Notes: Additional Items Attached to Poles
156	169' W. OF 15TH ST. CL	728411	ELECTRIC, TELEPH	AT&T	2 LIGHTS
157	SE. SIDE OF 14TH ST.	728410 1404	ELECTRIC, TELEPH	AT&T	LIGHT
158	107' S. OF ST. CLAIR CL	728412 210349	ELECTRIC, TELEPH	AT&T, AMEREN ELECTRIC	LIGHT, GUY TO N.
159	176' S. OF ST. CLAIR CL	728413	ELECTRIC, TELEPH	AT&T, AMEREN ELECTRIC	LIGHT
160	82' W. OF 14TH ST. CL	NO TAG	TELEPH	AT&T	
161	201' W. OF 14TH ST. CL S. SIDE OF ST. CLAIR	728407	ELECTRIC, TELEPH	AT&T, AMEREN ELECTRIC	2 LIGHTS
162	238' W. OF 14TH ST. CL N. SIDE OF ST. CLAIR	728407	ELECTRIC	AMEREN ELECTRIC	
163	236' W. OF 14TH ST. CL N. SIDE OF ST. CLAIR	SEE NOTE	ELECTRIC	AMEREN ELECTRIC	TAG TOO FAR IN FENCE
164	329' W. OF 14TH ST. CL S. SIDE OF ST. CLAIR	NO TAG	TELEPH	AT&T	
165	SE. SIDE VERONICA & ST. CLAIR	728406	ELECTRIC	AMEREN ELECTRIC	2 LIGHTS
166	348' W. OF 14TH ST. CLAIR N. SIDE OF ST. CLAIR	728405	ELECTRIC	AMEREN ELECTRIC	
167	83' W. OF VERONICA CL S. SIDE OF ST. CLAIR	NO TAG	TELEPH	AT&T	
168	83' W. OF VERONICA CL N. SIDE OF ST. CLAIR	728404	ELECTRIC	AMEREN ELECTRIC	GUY
169	217' W. OF VERONICA CL N. SIDE OF ST. CLAIR	728403	ELECTRIC	AMEREN ELECTRIC	
170	231' W. OF VERONICA CL S. SIDE OF ST. CLAIR	NO TAG	TELEPH	AT&T	GUY TO W., PH DROP
173	290' W. OF VERONICA CL N. SIDE OF ST. CLAIR	728402	ELECTRIC	AMEREN ELECTRIC	TRANSFORMER
181	171' S. OF ST. CLAIR CL	728420	NO UTILITIES		STRAIN FOR POLE #182 ON VERONICA ST.
182	147' S. OF ST. CLAIR CL	728419	ELECTRIC, TELEPH	AT&T, AMEREN ELECTRIC	
183	56' W. OF VERONICA CL S. SIDE OF ST. CLAIR	728421	ELECTRIC, TELEPH	AT&T, AMEREN ELECTRIC	TRANSFORMER
184	84' E. OF VERONICA CL S. SIDE OF ST. CLAIR	728418 1352	ELECTRIC, TELEPH	AT&T, AMEREN ELECTRIC	TRANSFORMER
185	176' E. OF VERONICA CL S. SIDE OF ST. CLAIR	728416 1360	ELECTRIC, TELEPH	AT&T, AMEREN ELECTRIC	
186	22' S. OF POLE #185 S. SIDE OF ST. CLAIR	728417	ELECTRIC, TELEPH	AT&T, AMEREN ELECTRIC	
187	243' E. OF VERONICA CL S. SIDE OF ST. CLAIR	728415	ELECTRIC, TELEPH	AT&T, AMEREN ELECTRIC	PH CUT AT POLE
188	309' E. OF VERONICA CL S. SIDE OF ST. CLAIR	1370	ELECTRIC	AMEREN ELECTRIC	2 GUY S
245	175' SW ST. CLAIR AT STA 45+00	728469	ELECTRIC, TELEPH	AT&T, AMEREN ELECTRIC	
246	190' SW ST. CLAIR AT STA. 45+10	728470	ELECTRIC, TELEPH, CATV	AMEREN ELECTRIC, AT&T, CHARTER CABLE	GUY TO N.
270	80' NW POLE #269	727629	ELECTRIC, TELEPH	AT&T, AMEREN ELECTRIC	GUY TO WEST, TRANSFORMER



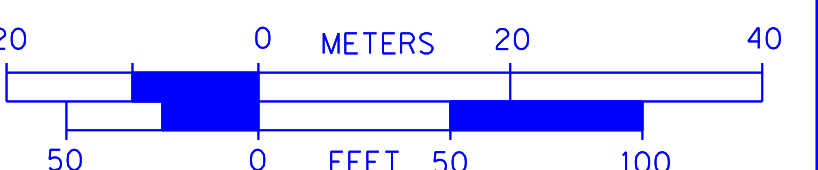
Utilities shown in color on these plans as depicted in the legend have been investigated by TBE Group, Inc in accordance with SUE Industry Standards. All other information shown has been provided to TBE Group, Inc by others. TBE's SUE field investigation was finished on 5/22/09. Changes to utilities after this date may have been made and therefore may result in variances from this plan. Consideration should be given to updating this plan if deemed advisable prior to final design and construction.

ALL UTILITIES SHOWN QUALITY LEVEL "B" UNLESS NOTED OTHERWISE.

Utility Quality Level "A" : Test Hole
 Utility Quality Level "B" : Designating
 Utility Quality Level "C" : Research with Survey
 Utility Quality Level "D" : Records Research



TBE GROUP, INC.
 CIVIL ENGINEERING • TRANSPORTATION • ENVIRONMENTAL PLANNING • UTILITY ENGINEERING/LOCATING



Checked By: _____ Date: _____
 TBE Job No. IL09500601,602,603,604, 607,608,609
 SUE Plan Page: 19 of 35

FILE NAME =	USER NAME =	DESIGNED EG, IP, LP	REVISED 1/28/09 - 8/26/09 ADDED TEST HOLES #60-108
#FILE#	PLOT SCALE = 1" = 50'	DRAWN KLC	REVISOR
	PLOT DATE = \$DATE*	CHECKED JB	REVISOR
		DATE 9/15/09	REVISOR

STATE OF ILLINOIS
DEPARTMENT OF TRANSPORTATION

Mississippi River Bridge Project

SCALE: SHEET NO. STA. TO STA.

F.A. RTE.	SECTION	COUNTY	TOTAL SHEETS	SHEET NO.
		St. Clair	83	52
PTB NO. 147-038				
FED. ROAD DIST. NO. ILLINOIS Job No. D-98-061-08				