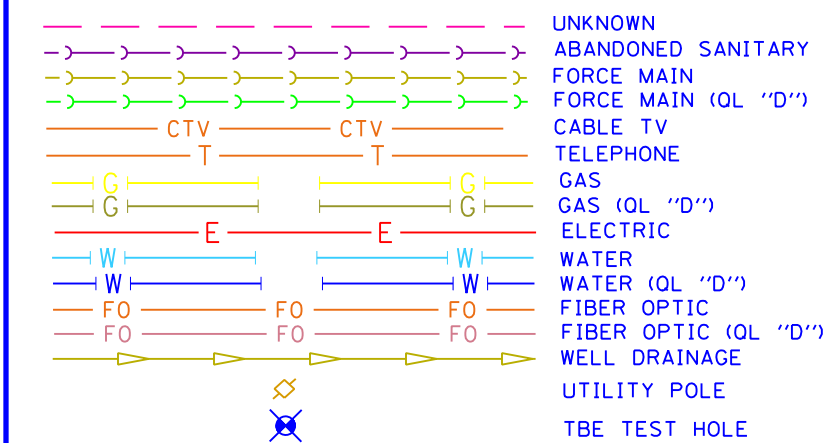


TBE Pole Number	Approximate Location	Identification # on Pole	Utilities Attached to Poles	Utility Owners	Notes: Additional Items Attached to Poles
47	48' WEST OF EXCHANGE CL	NO TAG	ELECTRIC	AMEREN ELECTRIC	
48	46' WEST OF EXCHANGE CL	4128	ELECTRIC	AMEREN ELECTRIC	GUY TO N. ELECTRIC DROP TO CELL TOWER
49	46' WEST OF EXCHANGE CL	4131	ELECTRIC	AMEREN ELECTRIC	GUY TO S. ELECTRIC DROP TO CELL TOWER
50	53' EAST OF EXCHANGE CL	NO TAG	ELECTRIC SERVICE	AMEREN ELECTRIC	ELECTRIC SERVICE TO BILLBOARD
51	40' WEST OF EXCHANGE CL	NO TAG	TELEPHONE SERVICE	AT&T	
52	43' WEST OF EXCHANGE CL	NO TAG	ELECTRIC	AMEREN ELECTRIC	
53	SW CORNER OF 7TH & EXCHANGE	727554	TELEPHONE SERVICE	AT&T	GUY TO WEST HOLDING POLE 54
54	SW CORNER OF 7TH & EXCHANGE	19002	ELECTRIC	AMEREN ELECTRIC	3 GUY S TO SW
55	SW CORNER OF 7TH & EXCHANGE	727553	TELEPHONE, CATV	AT&T CHARTER CABLE	GUY TO WEST
56	SW CORNER OF 7TH & EXCHANGE	NO TAG	ELECTRIC	AMEREN ELECTRIC	TELEPHONE DROP
57	NE CORNER OF 7TH & EXCHANGE	19003	ELECTRIC, FIBER OPTIC, CATV, TELEPHONE	AMEREN ELECTRIC, CHARTER CABLE, AT&T	GUY TO NORTH
58	157' N OF 7TH & EXCHANGE	19004 5783	ELECTRIC, CATV	AMEREN ELECTRIC, CHARTER CABLE	
59	158' N OF 7TH & EXCHANGE	753189 E3053	ELECTRIC	AMEREN ELECTRIC	STREET LIGHT POLE, CABLE ALPHA BOX, FOC DROP NORTH
60	232' N OF 7TH & EXCHANGE	19005	ELECTRIC, CATV	AMEREN ELECTRIC, CHARTER CABLE	CATV DROP NORTH
61	316' N OF 7TH & EXCHANGE	NO TAG	ELECTRIC SERVICE	AMEREN ELECTRIC	ELECTRIC METER, GUY TO NORTH
62	332' N OF 7TH & EXCHANGE	19006 851	ELECTRIC	AMEREN ELECTRIC	LIGHT
63	154' N OF 7TH & EXCHANGE	NO TAG	NO UTILITIES		ABANDONED POLE
64	156' W OF EXCHANGE CL ON 7TH ST.	727555	ELECTRIC, CATV, TELEPHONE	AMEREN ELECTRIC, AT&T CHARTER CABLE	TELEPHONE DROP RUNNING SE
65	ON 7TH 176' W OF EXCHANGE CL	727552	ELECTRIC, TELEPHONE	AMEREN ELECTRIC, AT&T	TRANSFORMER
66	ON 7TH 250' W OF EXCHANGE CL	727549	ELECTRIC, CATV, TELEPHONE	AMEREN ELECTRIC, AT&T CHARTER CABLE	TRANSFORMER, CATV DROP SOUTH
67	ON 7TH 355' W OF EXCHANGE CL	727548	ELECTRIC, CATV, TELEPHONE	AMEREN ELECTRIC, AT&T CHARTER CABLE	2 LIGHTS
68	ON 7TH 470' W OF EXCHANGE CL	727547	ELECTRIC, CATV, TELEPHONE	AMEREN ELECTRIC, AT&T CHARTER CABLE	ELECTRIC SERVICE TO BILLBOARD
69	ON 7TH 500' W OF EXCHANGE CL	727543 E-1669	ELECTRIC, TELEPHONE	AMEREN ELECTRIC, AT&T	LIGHT, GUY TO WEST
86	560' WEST OF 7TH & EXCHANGE	727544	ELECTRIC	AMEREN ELECTRIC	
87	560' WEST OF 7TH & EXCHANGE	727545	ELECTRIC	AMEREN ELECTRIC	GUY TO NORTH, TRANSFORMER
88	255' NORTH 7TH ST. CL	727546 29282	NO UTILITIES		LIGHT, ABANDONED WOODEN POLE
89	675' WEST OF 7TH & EXCHANGE	NO TAG	NO UTILITIES		GUY TO NORTH & SOUTH
223	474' WEST CL OF BOWMAN & 9TH	727540	ELECTRIC	AMEREN ELECTRIC	
224	478' WEST CL OF BOWMAN & 9TH	NO TAG	NO UTILITIES		
227	SOUTH OF POLE #224	NO TAG	ELECTRIC SERVICE	AMEREN ELECTRIC	ELECTRIC SERVICE TO BILLBOARD
286	SOUTHEAST CORNER 11TH & EXCHANGE AVE.	NO TAG	ELECTRIC SERVICE	AMEREN ELECTRIC	LIGHT
287	102' S CL EXCHANGE AVE. EAST SIDE 11TH ST.	NO TAG	ELECTRIC SERVICE	AMEREN ELECTRIC	METER, ELECTRIC SERVICE DROP
288	287' S CL EXCHANGE AVE. EAST SIDE 11TH ST.	NO TAG	ELECTRIC SERVICE	AMEREN ELECTRIC	ELECTRIC SERVICE TO BUILDING
289	400' S CL EXCHANGE AVE. EAST SIDE 11TH ST.	735190	ELECTRIC SERVICE, TELEPHONE	AMEREN ELECTRIC, AT&T	LIGHT
290	400' S CL EXCHANGE AVE. EAST SIDE 11TH ST.	NO TAG	ELECTRIC SERVICE, TELEPHONE	AMEREN ELECTRIC, AT&T	LIGHT
291	510' S CL EXCHANGE AVE. EAST SIDE 11TH ST.	NO TAG	ELECTRIC SERVICE	AMEREN ELECTRIC	LIGHT
292	75' EAST OF POLE #291	NO TAG	ELECTRIC SERVICE	AMEREN ELECTRIC	LIGHT
293	130' EAST OF POLE #291	NO TAG	ELECTRIC SERVICE	AMEREN ELECTRIC	LIGHT
294	175' EAST OF 11TH ST. AT STA. 11+90	NO TAG	ELECTRIC SERVICE, TELEPHONE	AMEREN ELECTRIC, AT&T	METER, LIGHT
295	225' EAST OF 11TH ST. AT STA. 11+90	735191	ELECTRIC SERVICE	AMEREN ELECTRIC	TRANSFORMER
296	320' EAST OF 11TH ST. AT STA. 12+90	727542	ELECTRIC SERVICE	AMEREN ELECTRIC	ELECTRIC SERVICE TO OVERHEAD BOARD ON I-55
297	245' EAST OF 11TH ST. AT STA. 11+90	727541	ELECTRIC SERVICE	AMEREN ELECTRIC	GUY TO NORTH
306	SE OF POLE #293	NO TAG	NO UTILITIES		GUY NORTH & EAST, LIGHT, TRANSFORMER
307	SE OF POLE #293 WEST OF POLE #306	NO TAG	NO UTILITIES		STRAIN POLE TO #306, NO UTILITIES
308	WEST OF POLE #66	727550	NO UTILITIES		LIGHT
350	E OF POLE 349	NO TAG	TELEPHONE SERVICE	AT&T	GUY TO NORTH



Utilities shown in color on these plans as depicted in the legend have been investigated by TBE Group, Inc in accordance with SUE Industry Standards. All other information shown has been provided to TBE Group, Inc by others. TBE's SUE field investigation was finished on 5/22/09. Changes to utilities after this date may have been made and therefore may result in variances from this plan. Consideration should be given to updating this plan if deemed advisable prior to final design and construction.

ALL UTILITIES SHOWN QUALITY LEVEL "B" UNLESS NOTED OTHERWISE.

Utility Quality Level "A" : Test Hole
 Utility Quality Level "B" : Designating
 Utility Quality Level "C" : Research with Survey
 Utility Quality Level "D" : Records Research

TBE GROUP, INC.
 CIVIL ENGINEERING • TRANSPORTATION • ENVIRONMENTAL PLANNING • UTILITY ENGINEERING/LOCATING

Checked By: _____
 Date: _____

TBE Job No. IL09500601.602.603.604.607.608.609
 SUE Plan Pages: 23 of 35

FILE NAME =	USER NAME =	DESIGNED EG, IP, LP	REVISED
#FILE#		DRAWN KLC	7/28/09 - 8/26/09 ADDED TEST HOLES #60-108
	PLOT SCALE = 1" = 50'	CHECKED JB	REVISED
	PLOT DATE = \$DATE*	DATE 9/15/09	REVISED

STATE OF ILLINOIS
DEPARTMENT OF TRANSPORTATION

Mississippi River Bridge Project

SCALE: SHEET NO. STA. TO STA.

F.A. RTE.	SECTION	COUNTY	TOTAL SHEETS	SHEET NO.
		St. Clair	83	55
PTB NO. 147-038				
FED. ROAD DIST. NO. ILLINOIS Job No. D-98-061-08				