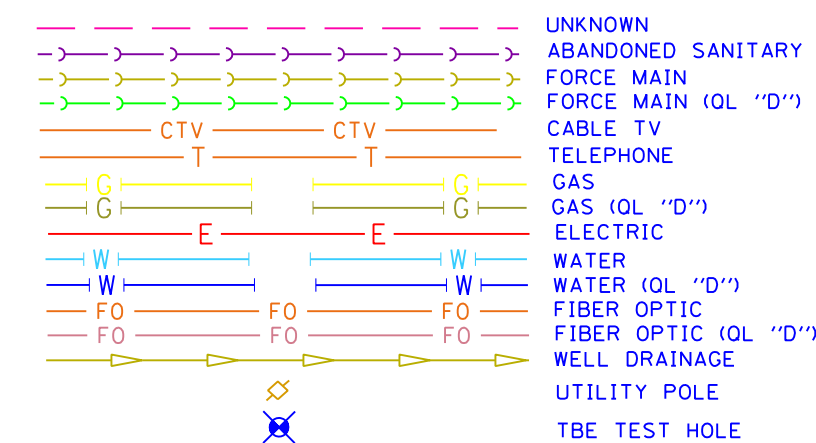


TBE Pole Number	Approximate Location	Identification # on Pole	Utilities Attached to Poles	Utility Owners	Notes: Additional Items Attached to Poles
23	NW CORNER OF EXCHANGE & 9TH ST.	727575	NO UTILITIES		
24	SW CORNER OF EXCHANGE & 9TH ST.	18985 E623	ELECTRIC, FIBER OPTIC, CATV, TELEPHONE	AMEREN ELECTRIC, CHARTER CABLE, AT&T	LIGHT
25	162' WEST OF EXCHANGE & 9TH ST.	18984 1024	ELECTRIC, FIBER OPTIC, TELEPHONE	AMEREN ELECTRIC, AT&T	
26	SW CORNER 9TH & WALTER	18983 1016	ELECTRIC, FIBER OPTIC, CATV, TELEPHONE	AMEREN ELECTRIC, CHARTER CABLE, AT&T	LIGHT
27	160' WEST OF 9TH & WALTER	18982	ELECTRIC, FIBER OPTIC, CATV, TELEPHONE	AMEREN ELECTRIC, CHARTER CABLE, AT&T	GUY TO EAST
28	182' WEST OF 9TH & WALTER	NO TAG	NO UTILITIES		METAL STRAIN POLE-GUY FOR POLE 29
29	NE CORNER OF BOWMAN & 9TH ST.	727533	ELECTRIC	AMEREN ELECTRIC	GUY BY POLE 28
30	SW CORNER OF BOWMAN & 9TH ST. 29' SOUTH OF CL	727533	ELECTRIC, FIBER OPTIC	AMEREN ELECTRIC	LIGHT
36	NORTH OF CURB 117 9TH ST. 25' WEST OF BOWMAN	727527	NO UTILITIES		STRAIN POLE 2 GUY 5 GOING EAST ANCHORING POLE 37
44	NW CORNER OF EXCHANGE & 9TH ST.	NO TAG	ELECTRIC	AMEREN ELECTRIC	GUY TO S & NW
45	N SIDE OF EXCHANGE 144' NW OF CL OF 9TH ST. & EXCHANGE	NO TAG	ELECTRIC SERVICE	AMEREN ELECTRIC	LIGHT
46	263' NORTH OF CL OF 9TH ST.	NO TAG	ELECTRIC	AMEREN ELECTRIC	
109	NW CORNER OF BOWMAN & 9TH ST.	NO TAG	NO UTILITIES		ABANDONED POLE
215	NORTH OF POLE #45	727538	TELEPHONE	AT&T	GUY TO NORTH
216	NORTH OF POLE #45	727537	TELEPHONE	AT&T	GUY TO NORTH
217	SOUTH OF POLE #216	727536	CATV, TELEPHONE	CHARTER CABLE, AT&T	
218	SOUTH OF POLE #217	2475492	CATV, TELEPHONE	CHARTER CABLE, AT&T	
219	SOUTH OF POLE #218	727534	CATV, TELEPHONE	CHARTER CABLE, AT&T	GUY TO SOUTH
220	NORTH OF BOWMAN SOUTH OF POLE #219	727532	CATV, TELEPHONE, ELECTRIC	CHARTER CABLE, AT&T, AMEREN ELECTRIC	
221	163' NORTH CL OF BOWMAN & 9TH	727531	ELECTRIC	AMEREN ELECTRIC	
222	318' WEST CL OF BOWMAN & 9TH	NO TAG	ELECTRIC	AMEREN ELECTRIC	
225	363' WEST CL OF BOWMAN & 9TH	NO TAG	NO UTILITIES		
226	200' WEST CL OF BOWMAN & 9TH	NO TAG	NO UTILITIES		
233	80' SE OF CL 9TH ST. STA 9+10	727524 21-2431	NO UTILITIES		
234	SOUTH OF POLE #30	NO TAG	ELECTRIC SERVICE	AMEREN ELECTRIC	METER
235	EAST OF POLE #233	727523 2-2423	NO UTILITIES		

MATCH TO PAGE 23

MATCH TO PAGE 17

MATCH TO PAGE 18



Utilities shown in color on these plans as depicted in the legend have been investigated by TBE Group, Inc in accordance with SUE Industry Standards. All other information shown has been provided to TBE Group, Inc by others. TBE's SUE field investigation was finished on 5/22/09. Changes to utilities after this date may have been made and therefore may result in variances from this plan. Consideration should be given to updating this plan if deemed advisable prior to final design and construction.

ALL UTILITIES SHOWN QUALITY LEVEL "B" UNLESS NOTED OTHERWISE.

- Utility Quality Level "A" : Test Hole
- Utility Quality Level "B" : Designating
- Utility Quality Level "C" : Research with Survey
- Utility Quality Level "D" : Records Research

TBE GROUP, INC.
 CIVIL ENGINEERING • TRANSPORTATION • ENVIRONMENTAL PLANNING • UTILITY ENGINEERING/LOCATING

Checked By: _____
 Date: _____

TBE Job No. IL0950601.602-603.604.607.608.609
 SUE Plan Pages: 24 of 35

FILE NAME =	USER NAME =	DESIGNED EG, IP, LP	REVISED
*FILE#		DRAWN KLC	7/28/09 - 8/26/09 ADDED TEST HOLES #60-108
	PLOT SCALE = 1" = 50'	CHECKED JB	REVISED
	PLOT DATE = \$DATE*	DATE 9/15/09	REVISED

STATE OF ILLINOIS
DEPARTMENT OF TRANSPORTATION

Mississippi River Bridge Project

SCALE:	SHEET NO.	STA.	TO STA.
--------	-----------	------	---------

F.A. RTE.	SECTION	COUNTY	TOTAL SHEETS	SHEET NO.
		St. Clair	83	56
PTB NO. 147-038				
FED. ROAD DIST. NO. ILLINOIS Job No. D-98-061-08				