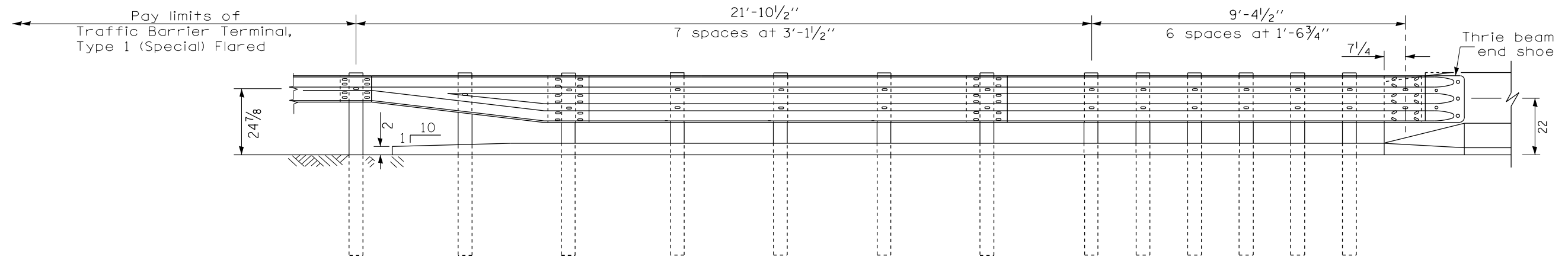
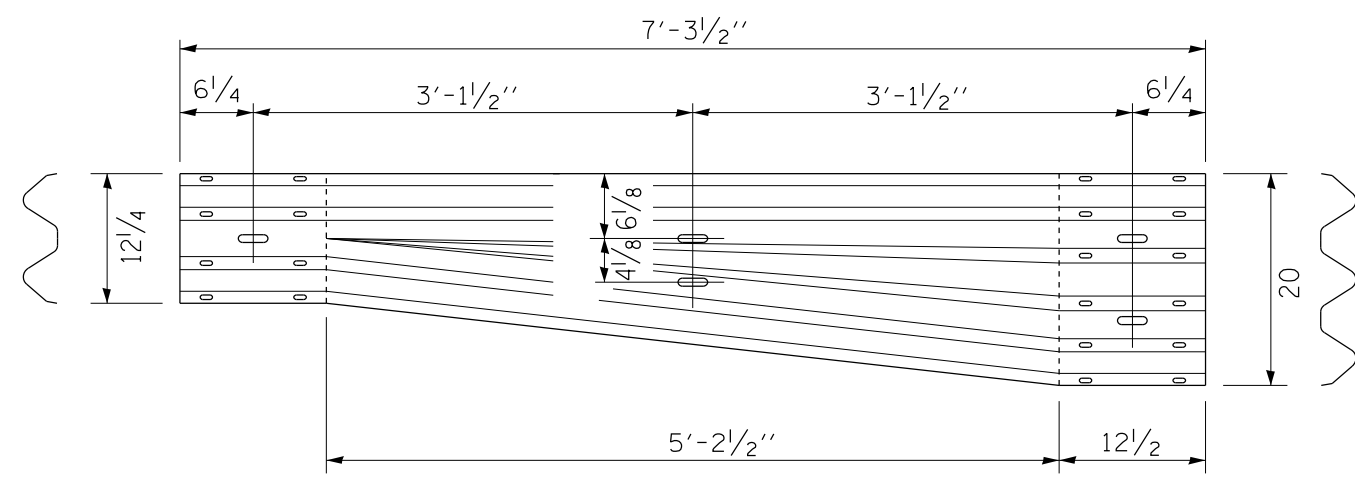


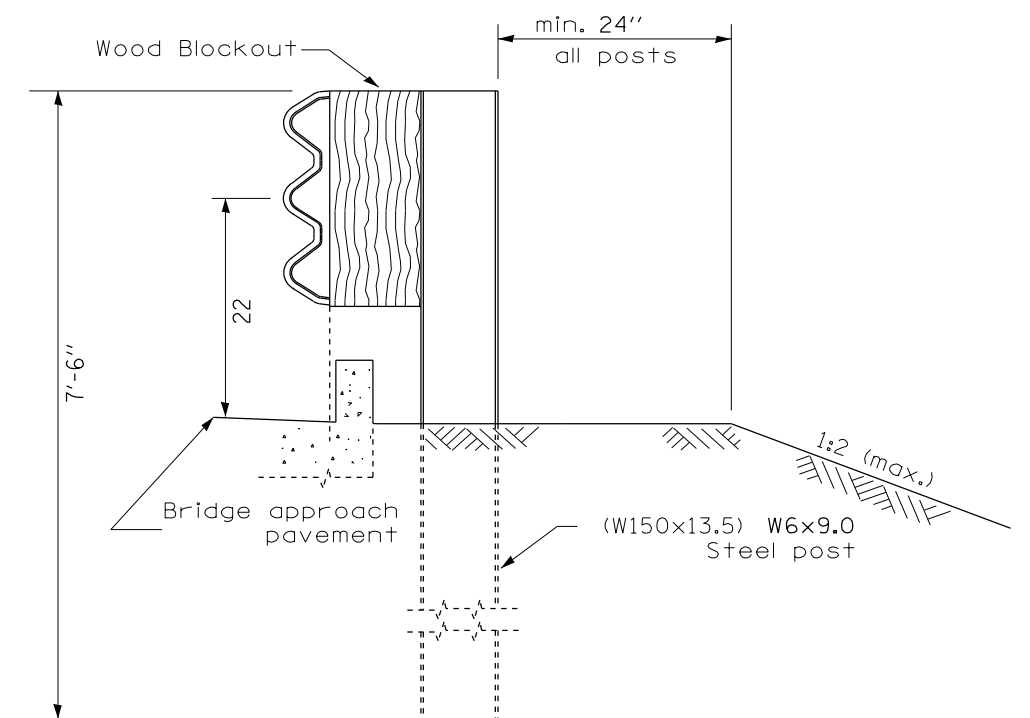
PLAN



ELEVATION



TRANSITION SECTION
(10 gauge rail element)



SECTION A-A

FILE NAME = c:\pwork\pwork\kellykd\0242339\78152.msc.dgn	USER NAME = \$USER\$	DESIGNED - LUKE MURPHY	REVISED -	STATE OF ILLINOIS DEPARTMENT OF TRANSPORTATION	DETAILS TRAFFIC BARRIER TERMINAL TYPE 6 (SPECIAL)		F.A.P. RTE. 885	SECTION 11B-1	COUNTY HARDIN	TOTAL SHEETS 50	SHEET NO. 19	
	PLOT SCALE = 60.0000' / in.	CHECKED -	REVISED -		SCALE:	SHEET OF SHEETS	STA. TO STA.	CONTRACT NO. 78152				
PLOT DATE = 10/17/2012	DATE -	REVISED -	REVISED -		ILLINOIS FED. AID PROJECT							